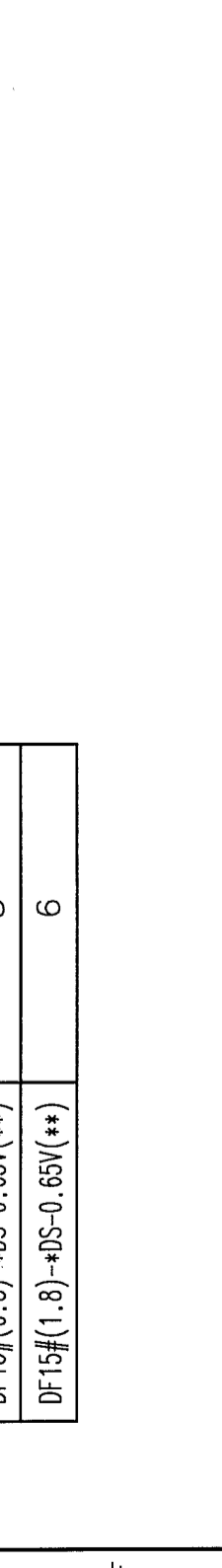
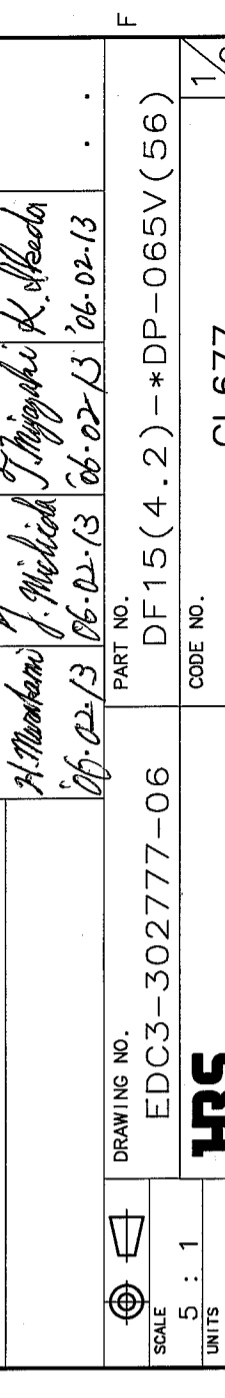
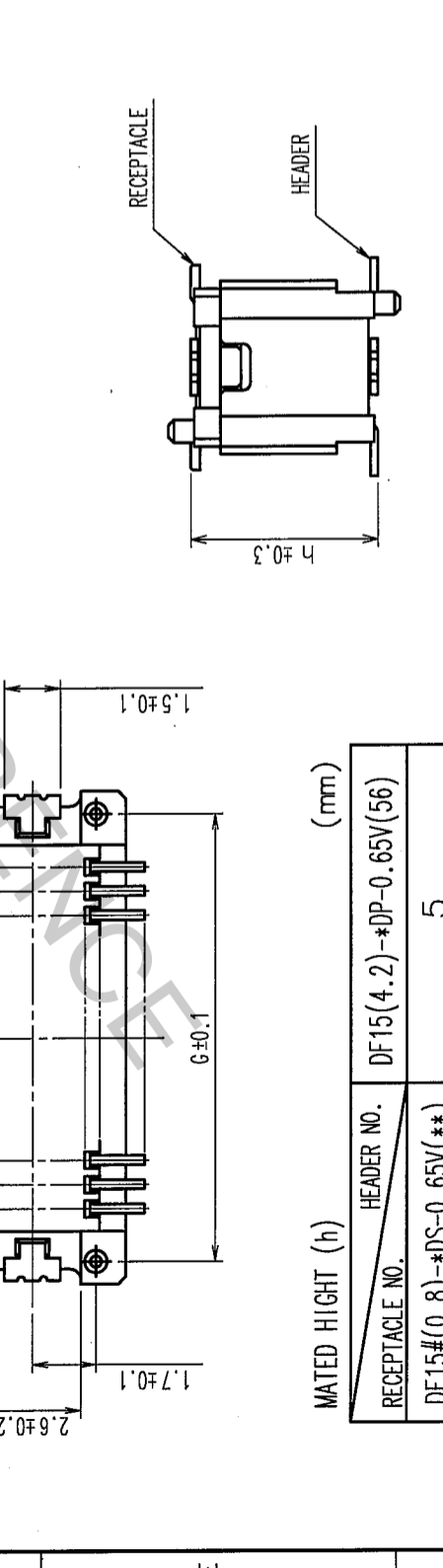
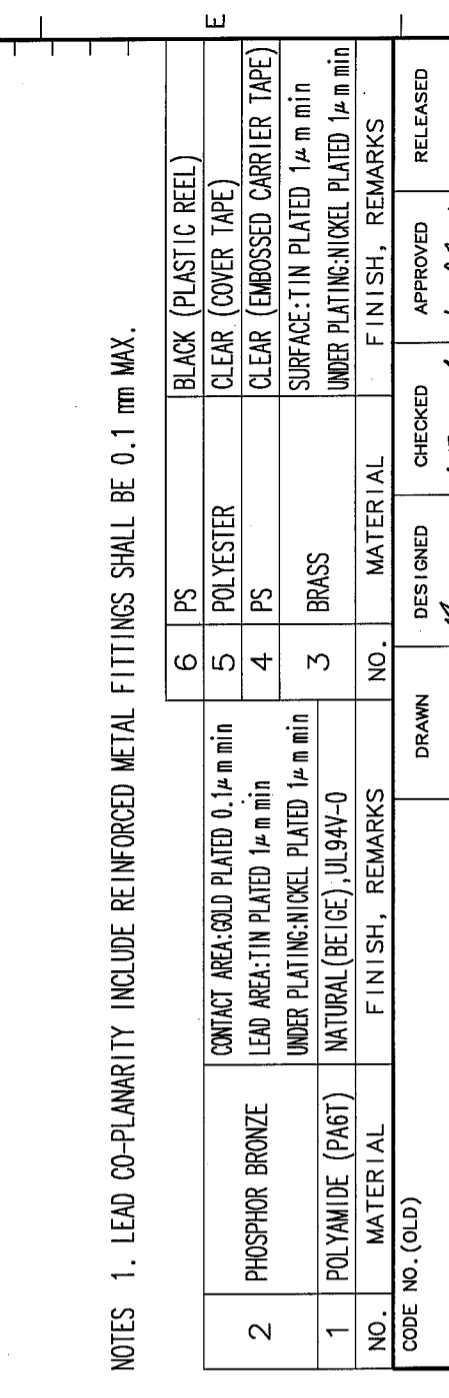
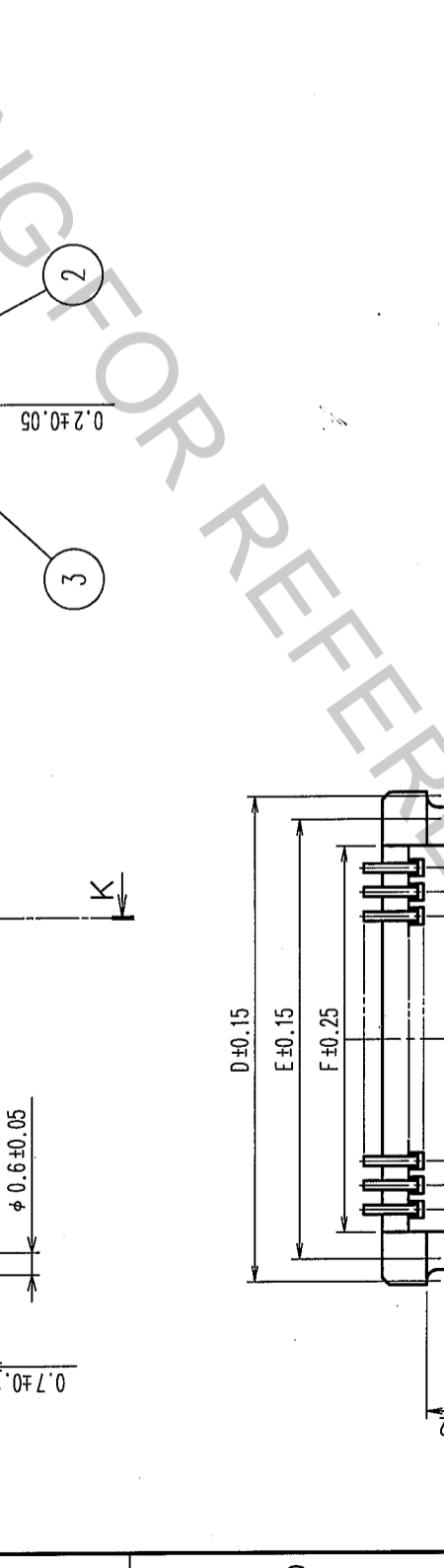
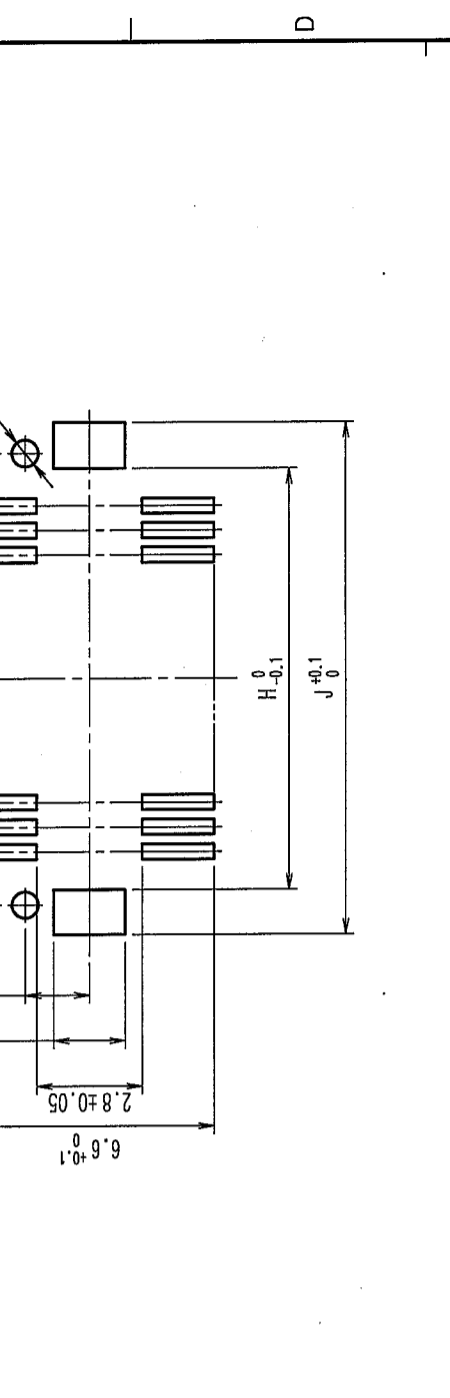
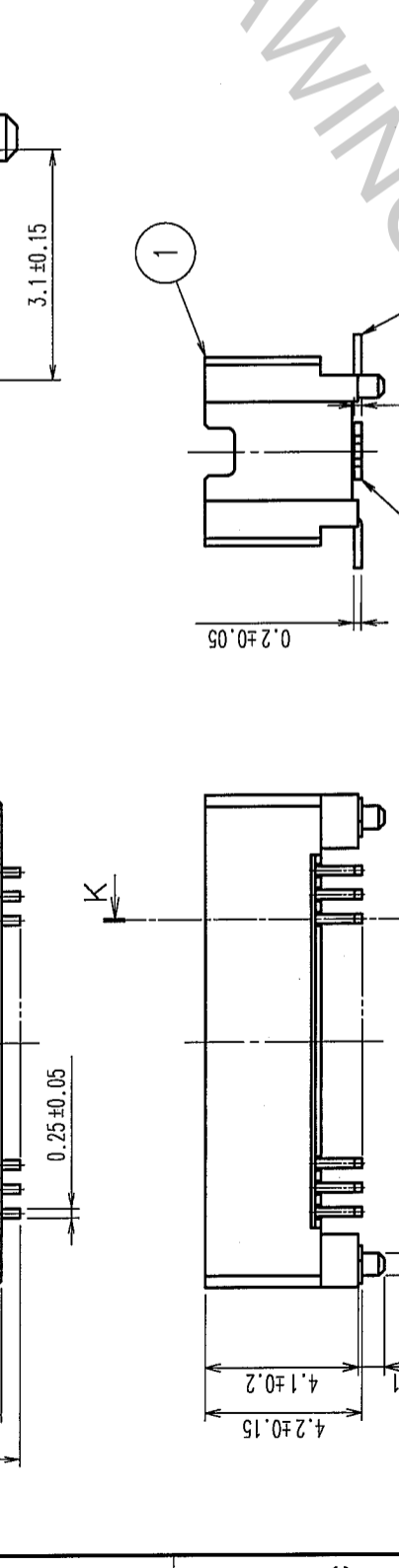
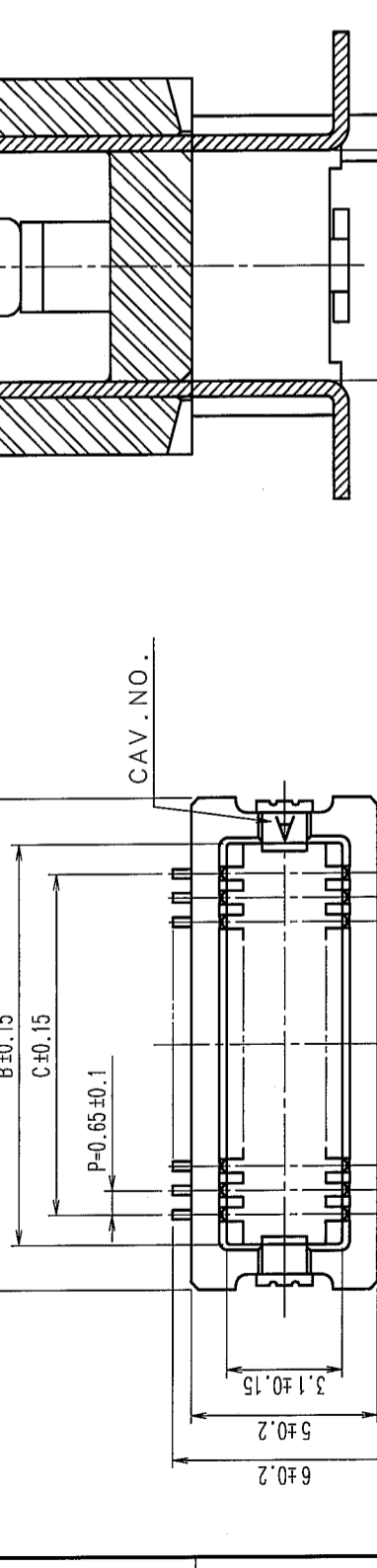
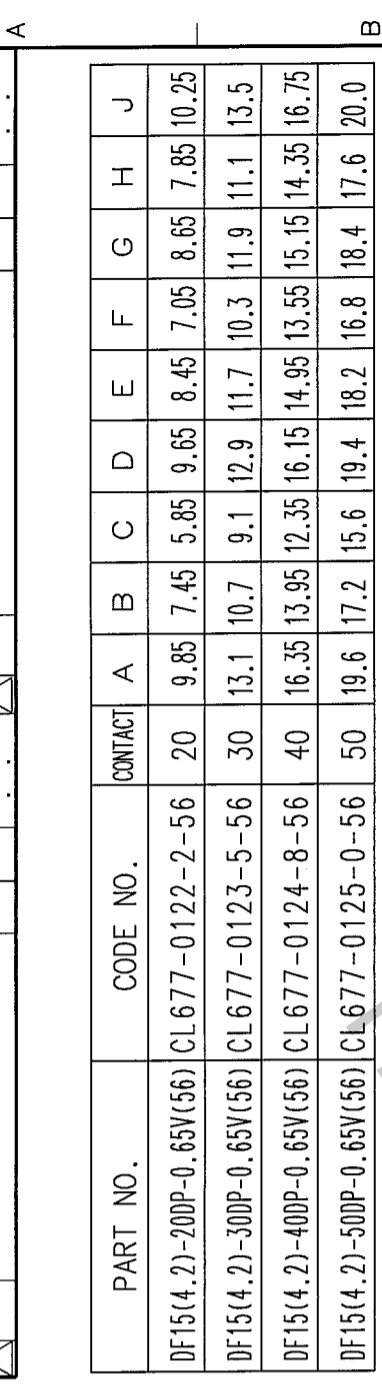


In case that the application demands a high level of reliability, such as automotive, please contact a company representative for further information.

NO.	DESCRIPTION OF REVISIONS	BY	CHKD	DATE	COUNT	DESCRIPTION OF REVISIONS	BY	CHKD	DATE
1									
2									
3									
4									
5									
6									
7									
8									

PART NO.	CODE NO.	CONTACT	A	B	C	D	E	F	G	H	J
DF15(4.2)-20DP-0.65V(56)	CL677-0122-2-56	20	9.85	7.45	5.85	9.65	8.45	7.05	8.65	7.85	10.25
DF15(4.2)-30DP-0.65V(56)	CL677-0123-5-56	30	13.1	10.7	9.1	12.9	11.7	10.3	11.9	11.1	13.5
DF15(4.2)-40DP-0.65V(56)	CL677-0124-8-56	40	16.35	13.95	12.35	16.15	14.95	13.55	15.15	14.35	16.75
DF15(4.2)-50DP-0.65V(56)	CL677-0125-0-56	50	19.6	17.2	15.6	19.4	18.2	16.8	18.4	17.6	20.0



NOTES 1. LEAD CO-PLANARITY INCLUDE REINFORCED METAL FITTINGS SHALL BE 0.1 mm MAX.

NO.	MATERIAL	FINISH, REMARKS	NO.	MATERIAL	FINISH, REMARKS
2	PHOSPHOR BRONZE	CONTACT AREA: GOLD PLATED 0.1µm min LEAD AREA: TIN PLATED 1µm min UNDER PLATING: NICKEL PLATED 1µm min	6	PS	BLACK (PLASTIC REEL) CLEAR (COVER TAPE)
1	POLYAMIDE (PA6T)	NATURAL (BEIGE), UL94V-0	4	PS	CLEAR (EMBOSSED CARRIER TAPE)
			3	BRASS	SURFACE: TIN PLATED 1µm min UNDER PLATING: NICKEL PLATED 1µm min

CODE NO. (OLD)	DRAWN	DESIGNED	CHECKED	APPROVED	RELEASED
	A. Maekawa	J. Michida	T. Miyagishi	K. Okada	
	06-02-13	06-02-13	06-02-13	06-02-13	

DRAWING NO.	PART NO.
EDC3-302777-06	DF15(4.2)-*DP-065V(56)

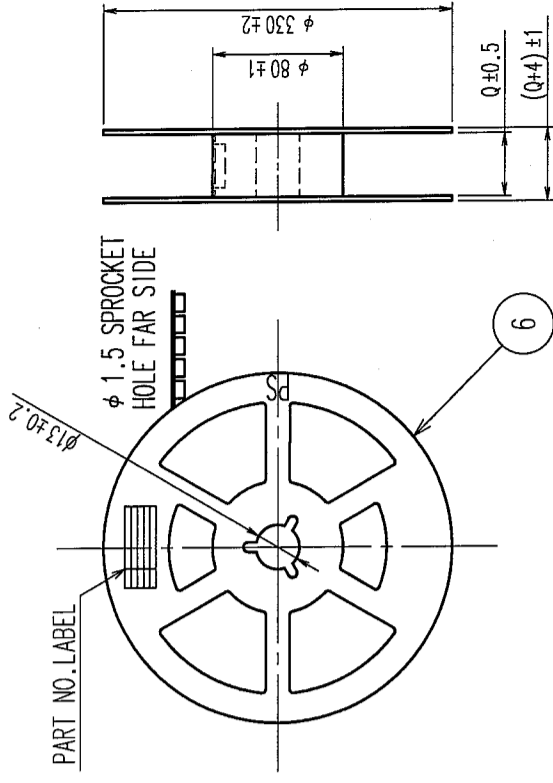
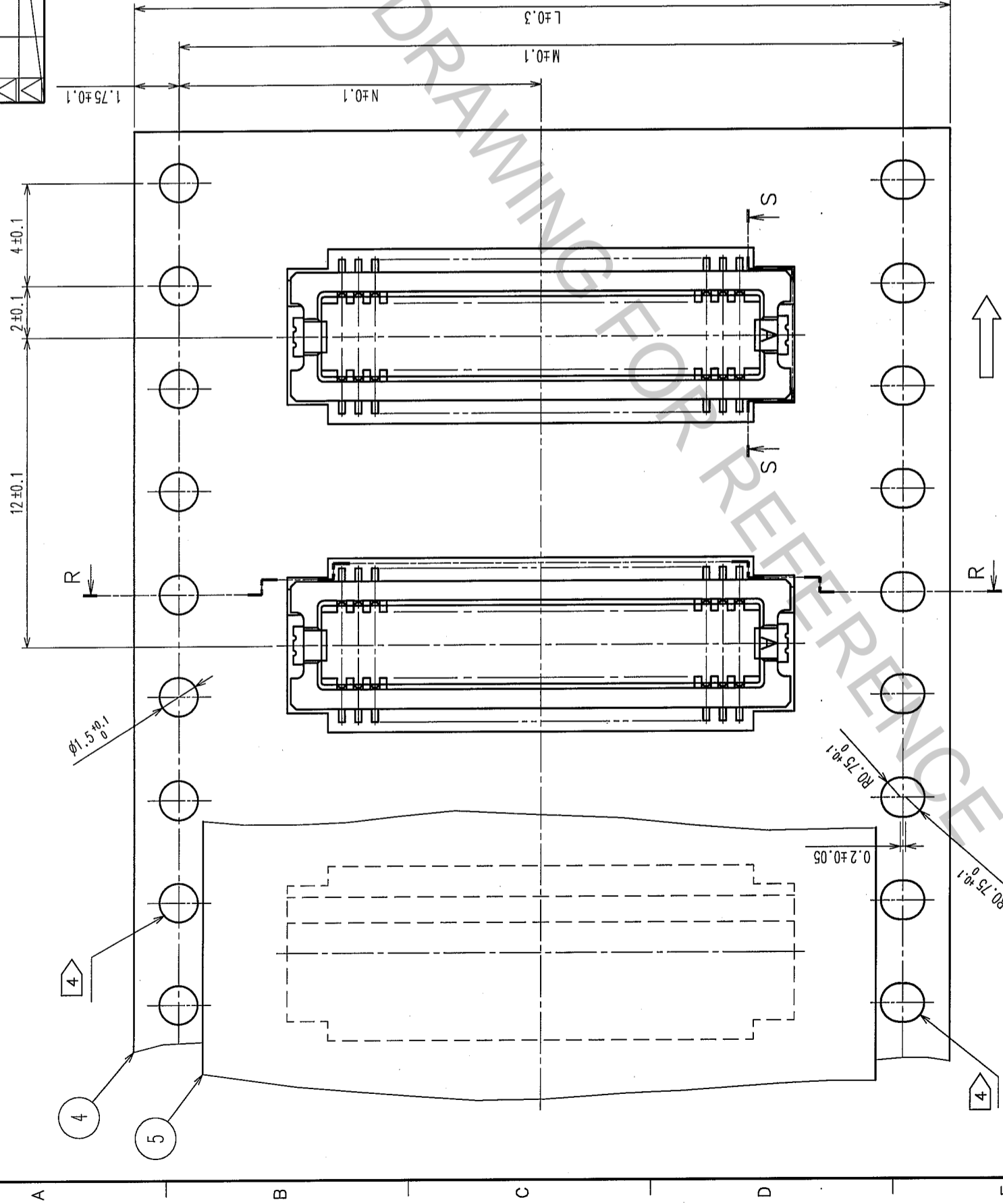
RECEPTACLE NO.	HEADER NO.
DF15#(0.8)-*DS-0.65V(**)	DF15(4.2)-*DP-0.65V(56)
DF15#(1.8)-*DS-0.65V(**)	5
	6

In case that the application demands a high level of reliability, such as automotive, please contact a company representative for further information.

NO.	DESCRIPTION OF REVISIONS	BY	CHKD	DATE	COUNT	DESCRIPTION OF REVISIONS	BY	CHKD	DATE
1									
2									
3									
4									
5									
6									
7									
8									

R-R

STYLE AND DIMENSION OF REEL (FREE)



DETAIL OF PART NO. LABEL

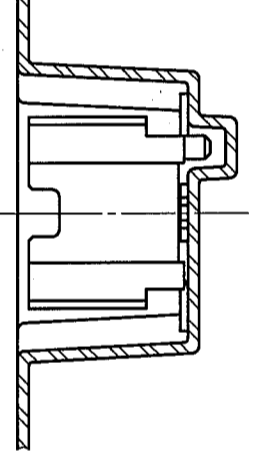
SUPPLIER  
QUANTITY  
PART NO.  
CODE NO.  
DATE OF MANUFACTURE

生産月日	年月日
図番	CL677-****-56
品名	DF15(4.2)-*DP-0.5V(56)
納入数量	1000 Ko
納入者	ヒロセ電機(株)

- NOTES
- 1 REEL : 1000 CONNECTORS.
  - 2 : 1 REEL : 1000 CONNECTORS.
  - 3 : AT THE BEGINNING OF THE REEL, 30 COMPONENTS SHALL BE EMPTY.  
AT THE END OF THE REEL, 20 COMPONENTS SHALL BE EMPTY.
  - 4 : WHEN THE TAPE WIDTH IS 32mm, SPROCKET HOLES SHALL BE SET ON BOTH SIDES OF REEL AS SHOWN ON THIS DRAWING.
  - 5 : PEEL FORCE REFERS TO JIS C 0806.

DIRECTION OF UNREELING

S-S



PART No.	CODE No.	L	M	N	P	Q
DF15(4.2)-20DP-0.65V(56)	CL677-0122-2-56	16.0	-	7.5	10.15	17.5
DF15(4.2)-30DP-0.65V(56)	CL677-0123-5-56	24.0	-	11.5	13.4	25.5
DF15(4.2)-40DP-0.65V(56)	CL677-0124-8-56	24.0	-	11.5	16.65	25.5
DF15(4.2)-50DP-0.65V(56)	CL677-0125-0-56	32.0	28.4	14.2	19.9	33.5

CODE NO. (OLD)	DRAWN	DESIGNED	CHECKED	APPROVED	RELEASED
	A. Murakami	J. Mochizuki	T. Miyagaki	K. Shioda	
SCALE	DATE		DATE		DATE
5 : 1	06-02-13		06-02-13		06-02-13
UNITS	PART NO.		PART NO.		PART NO.
mm	EDC3-302777-06		DF15(4.2)-*DP-0.65V(56)		DF15(4.2)-*DP-0.65V(56)
	HIROSE ELECTRIC CO., LTD		CODE NO.		CODE NO.
	HRS		CL677		CL677
					2/2

TO	