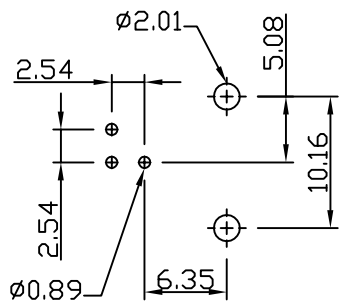
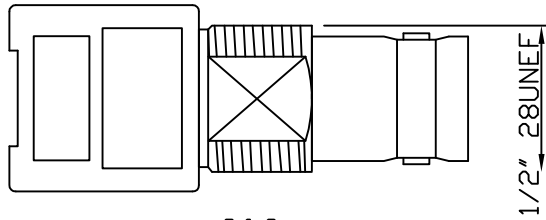
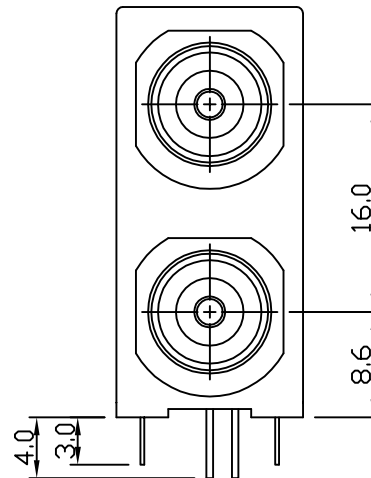
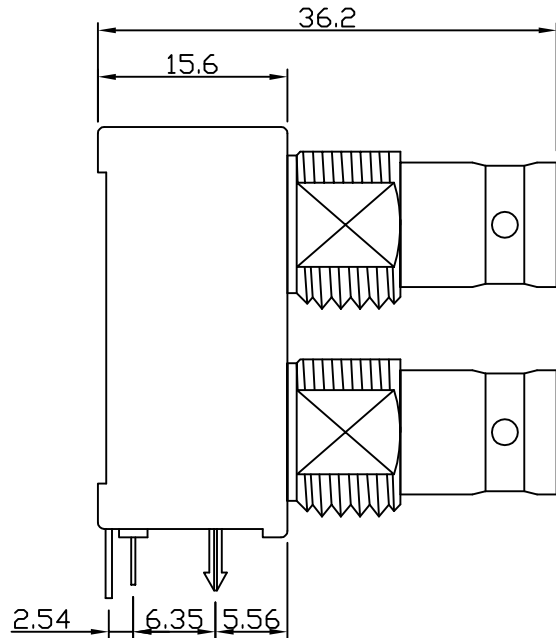
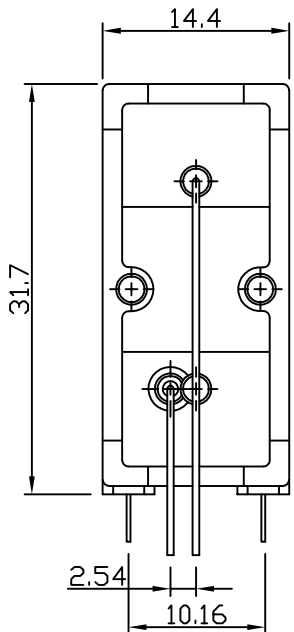
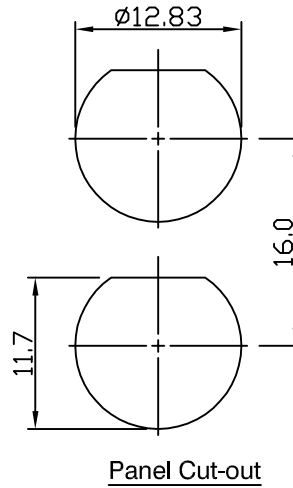
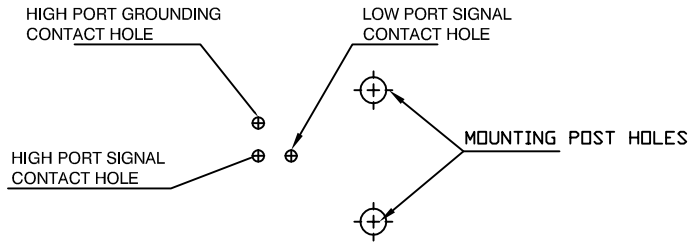


RoHS COMPLIANT



Recommend PCB Layout



Electrical Characteristics

Nominal Impedance:	50 ohms
Frequency Range:	DC to 1 GHz
Operating Voltage (rms):	500 V maximum at sea level
Dielectric Withstand Voltage (rms):	1500 V maximum at sea level
Contact Resistance:	3.0 milliohms maximum
Insulation Resistance:	5000 megohms minimum

Mechanical Characteristics

Mating Cycles:	500 cycles minimum
Interface Dimensions:	Conform to MIL-C-39012

Environmental Characteristics

Temperature Range:	-65 °C to +165 °C
--------------------	-------------------

PART	DESCRIPTION
Connector Body	Nickel Plating Over Zinc Alloy
Center Contact	Phosphorus Bronze With Gold Plating At Contact Area Tin Plating At Tail
Insulator	Polypropylene UL 94HB
Grounding Term	Tin Plating Over Copper Wire
Mounting Hook	Tin Plating Over Brass >5 Microns

Checked And Updated	KA	3	14 Mar 08
CAD Issue	SN	2	15 Nov 02
First Issue	DH	1	20 May 98
DESCRIPTION OF REVISION	APPVD	ISS	DATE



Cinch Connectivity Solutions
 7-13 Russel Way,
 Widford Industrial Estate,
 Chelmsford, Essex,
 CM1 3AA, UK.
 Tel: +44 (0) 1245 359515
 Fax: +44 (0) 1245 358938

SCALE: Not To Scale

DIMENSIONS: mm

TOLERANCES:
 ± 0.2mm unless
 otherwise stated

DRAWN BY:

S Nash

CHECKED BY:

P Couzens

APPROVED BY:

P Couzens

DATE:

15 Nov 02

TITLE:

Dual BNC Right Angle PCB
 Mount Jack

PART NUMBER:

VBM501

PAGE: 1 of 1