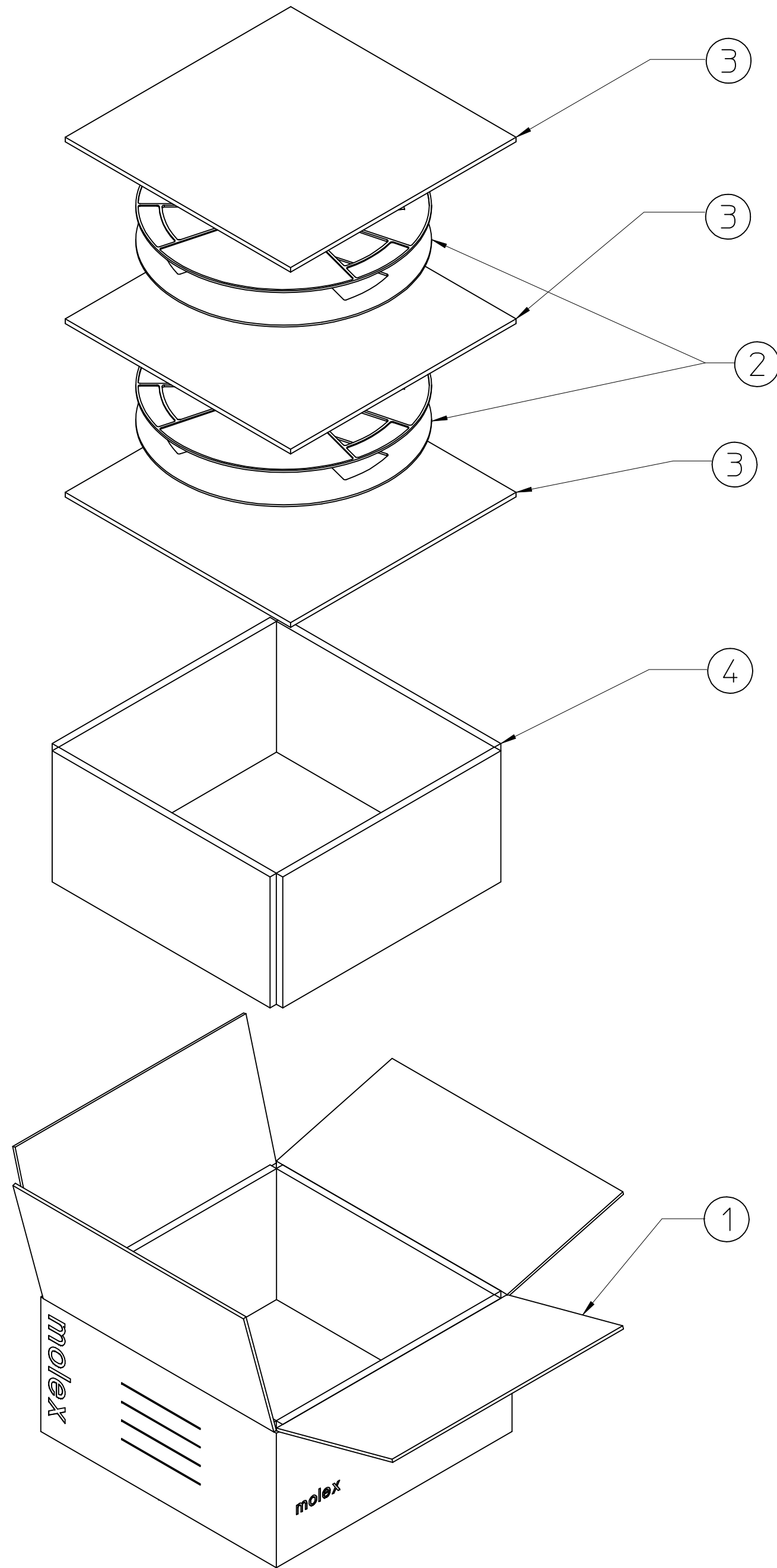


PACKAGING INSTRUCTIONS 26 CKT SIZE



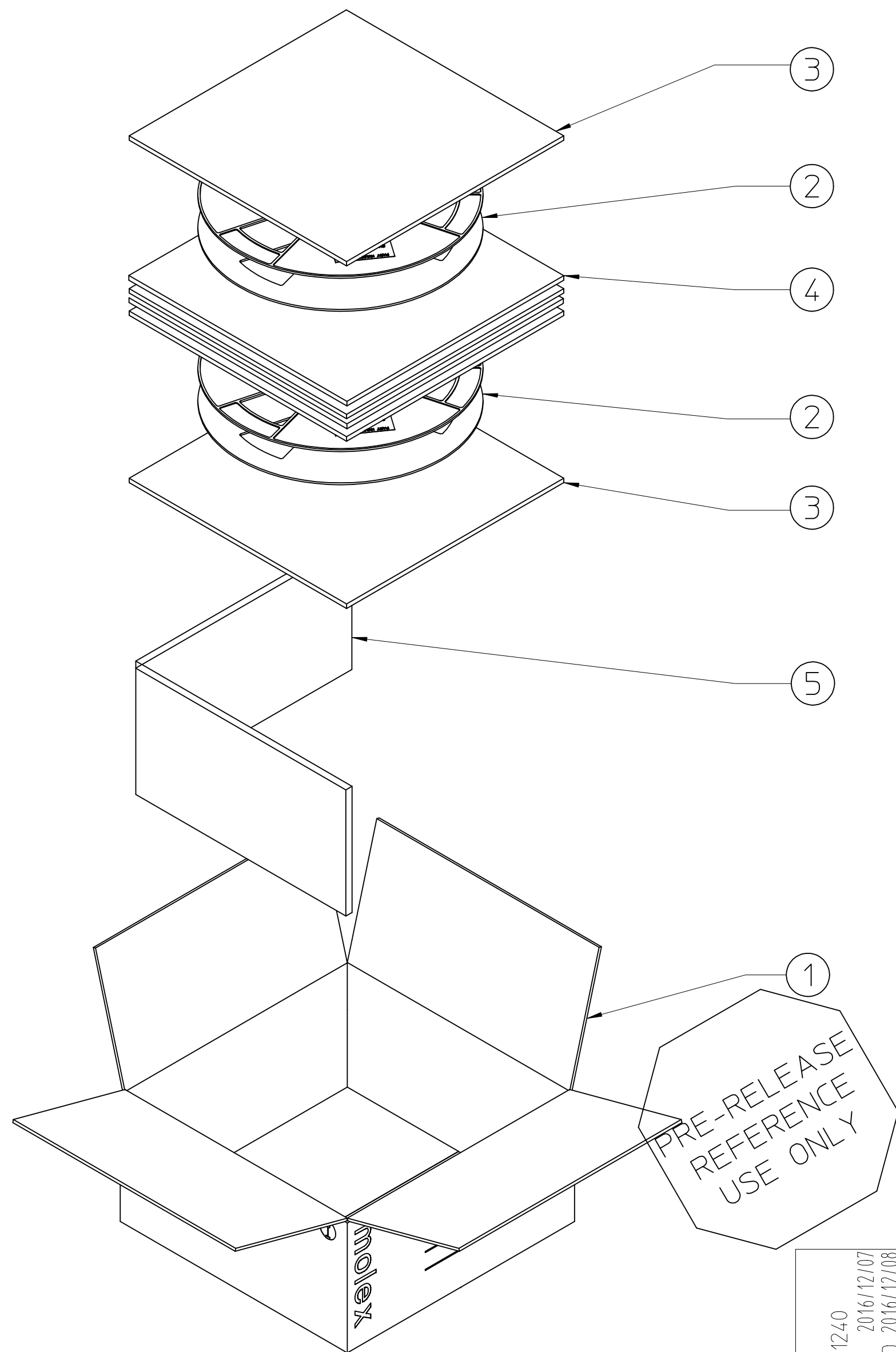
NOTES:

- REFER TO ANSI EIA STANDARD E-481 FOR ALL ITEMS NOT COVERED BY THIS PACKAGING SPECIFICATION.
- THE COVER TAPE MUST NOT EXTEND OVER THE EDGES OF THE EMBOSSED CARRIER TAPE OR COVER ANY PART OF THE SPROCKET HOLES.
- EACH REEL AND EACH CARTON MUST HAVE A LABEL AFFIXED TO IT WITH THE FOLLOWING INFORMATION: CONNECTOR ITEM NO., QUANTITY, AND DATE CODE.
- ALL PACKAGING COMPONENT MATERIALS (COVER TAPE, EMBOSSED CARRIER TAPE, AND CARRIER REEL) ARE 100% ANTI-STATIC.
- ABSOLUTELY NO TAPE SPLICES ARE PERMITTED ON FINISHED REELS.
- PACKAGING MATERIALS:
 COVER TAPE - COMPOSITE OF POLYETHYLENE TEREPHTHALATE (PET),POLYETHYLENE (PE), AND POLYFILM (PEF)
 EMBOSSED CARRIER TAPE - POLYSTYRENE (PS)
 CARRIER REEL - POLYSTYRENE (PS)
- THE COVER TAPE MUST HAVE A PEEL STRENGTH BETWEEN 10 AND 65 GRAMS PER SIDE WHEN PULLED OPPOSITE THE DIRECTION OF THE CARRIER TAPE TRAVEL SUCH THAT THE COVER TAPE MAKES AN ANGLE OF 0°/15°AS SHOWN IN DETAIL B. THE EMBOSSED CARRIER TAPE OR COVER TAPE MUST BE PULLED WITH A VELOCITY OF 300±10MM PER MINUTE.
- THERE ARE TO BE NO SKIPS IN THE COVER TAPE BOND.
- ALL DIMENSIONS ARE SHOWN FOR REFERENCE ONLY.
- MUST HAVE A MINIMUM OF 13 IN OF CARRIER TAPE TO COVER SLOTS IN HUB OF REEL.
- TRAILING EMPTY POCKETS TO BE LOCATED AT THE HUB OF THE CARRIER REEL AND LEADING EMPTY POCKETS TO BE AT THE OUTSIDE EDGE OF THE CARRIER REEL.

ITEM NUMBER	PACKAGING COMPONENT	MATERIAL NUMBER	QTY
1	CARTON	88796-2485	1
2	REEL 330MM Ø	47799-5120	2
3	FOAM	88796-2185	3
4	FOAM WALL	88796-1838	4
N/A	CARRIER TAPE, 26 CKT	75784-7006	---
N/A	COVER TAPE	47799-5199	---

REVD COVER TAPE PN EC NO: UCP2017-1240 DRWN:TMCCLELL 2016/12/07 CHKD:TMCCLELLAND 2016/12/08 APPR:TMCCLELL 2016/12/22	QUALITY SYMBOLS	GENERAL TOLERANCES (UNLESS SPECIFIED)	DIMENSION STYLE	SCALE	DESIGN UNITS	THIRD ANGLE PROJECTION																		
	$\nabla = 0$ $\nabla = 0$ $\nabla = 0$	<table border="1"> <tr> <th></th> <th>mm</th> <th>INCH</th> </tr> <tr> <td>4 PLACES</td> <td>± ---</td> <td>± ---</td> </tr> <tr> <td>3 PLACES</td> <td>± ---</td> <td>± ---</td> </tr> <tr> <td>2 PLACES</td> <td>± ---</td> <td>± ---</td> </tr> <tr> <td>1 PLACE</td> <td>± ---</td> <td>± ---</td> </tr> <tr> <td>0 PLACE</td> <td>± ---</td> <td>± ---</td> </tr> </table>		mm	INCH	4 PLACES	± ---	± ---	3 PLACES	± ---	± ---	2 PLACES	± ---	± ---	1 PLACE	± ---	± ---	0 PLACE	± ---	± ---	MM ONLY	1:1	METRIC	
		mm	INCH																					
	4 PLACES	± ---	± ---																					
3 PLACES	± ---	± ---																						
2 PLACES	± ---	± ---																						
1 PLACE	± ---	± ---																						
0 PLACE	± ---	± ---																						
REV	DESCRIPTION	DRAFT WHERE APPLICABLE MUST REMAIN WITHIN DIMENSIONS	DRAWN BY: KB INGHAM CHECKED BY: TMCCLELLAND APPROVED BY: TMCCLELL DATE: 2013/03/26 DATE: 2013/03/27 DATE: 2013/03/27	TITLE	PACKAGING SPECIFICATION VERTICAL IPASS 75784 SERIES																			
A1			MATERIAL NO. N/A SIZE C	DOCUMENT NO. PK-75784-001 SHEET NO. 1 OF 3																				

PACKAGING INSTRUCTIONS
36, 50, 68 CKT SIZES



ITEM NUMBER	PACKAGING DESCRIPTION	MATERIAL NUMBER	QTY
1	CARTON	88796-2105	1
2	REEL 381MM Ø	47799-2054	2
3	FOAM	88796-2185	2
4	BUBBLE SHEET	88796-2392	4
5	FOAM WALL	88796-1838	2

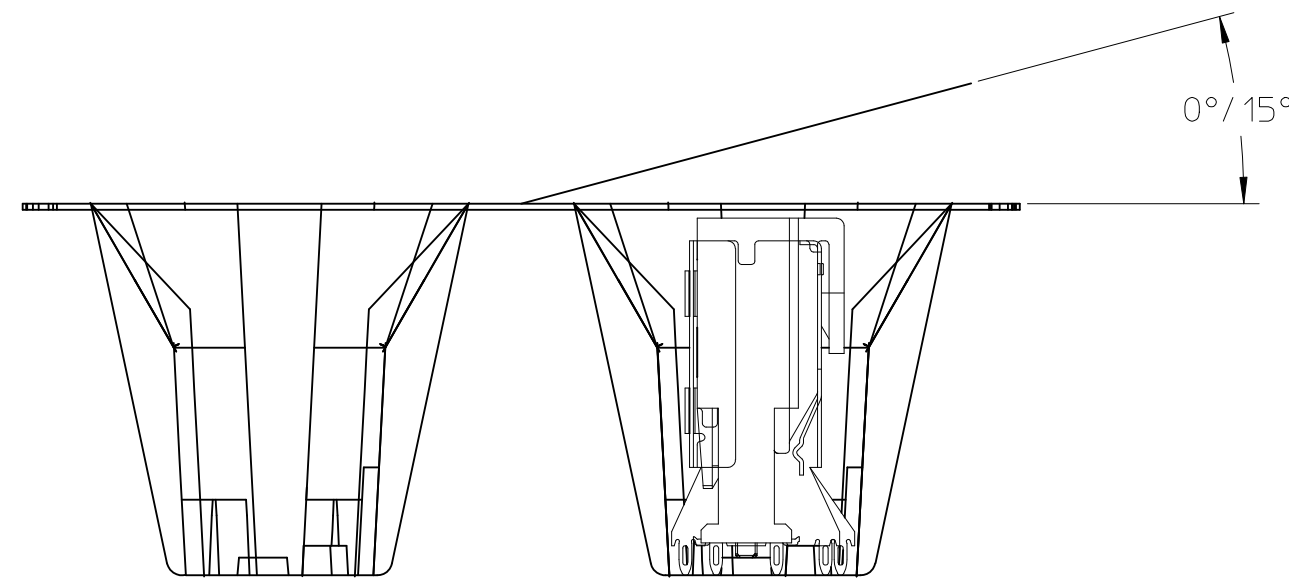
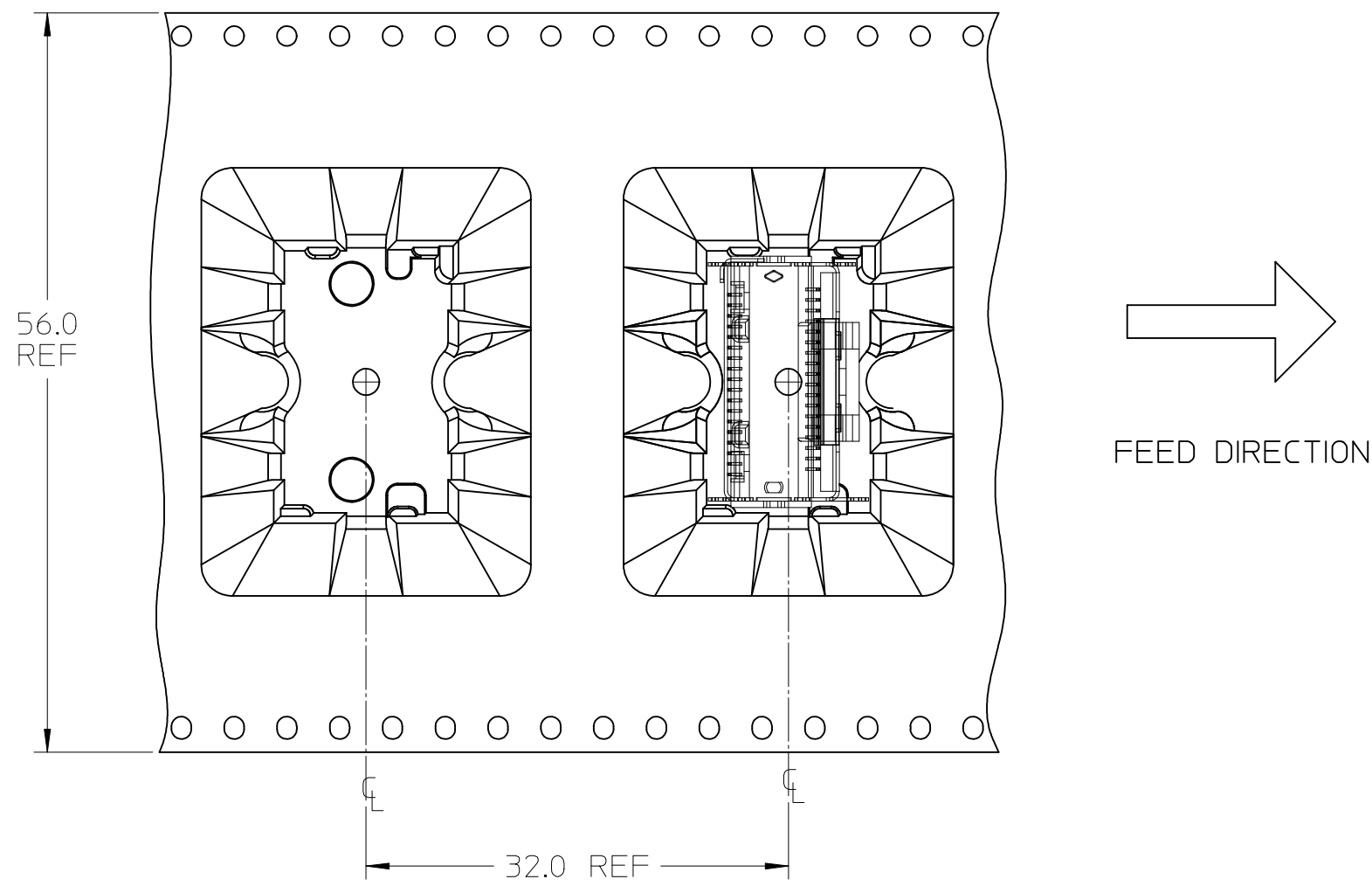
COMPONENT PACKAGING	MATERIAL NUMBER	ASSEMBLY SHELL OPTIONS
COVER TAPE	47799-5199	N/A
CARRIER TAPE, 36 CKT	75784-7008	RETENTION, SMT, 1.96MM THRU-HOLE
CARRIER TAPE, 36 CKT	75784-7007	> 1.96MM THRU-HOLE
CARRIER TAPE, 50 CKT	47799-5430	RETENTION, THRU-HOLE
CARRIER TAPE, 50 CKT	47799-5474	SMT SOLDER TAIL
CARRIER TAPE, 68 CKT	47799-5431	RETENTION, THRU-HOLE
CARRIER TAPE, 68 CKT	47799-5475	SMT SOLDER TAIL

PRE-RELEASE
REFERENCE
USE ONLY

SEE SHEET 1 EC NO: UCP2017-1240 DRWN: TMCLELL 2016/12/07 CHKD: TMCLELLAND 2016/12/08 APPR: TMCLELL 2016/12/22	QUALITY SYMBOLS ⚠ = 0 ⚠ = 0 ⚠ = 0	GENERAL TOLERANCES (UNLESS SPECIFIED) mm INCH 4 PLACES ± --- ± --- 3 PLACES ± --- ± --- 2 PLACES ± --- ± --- 1 PLACE ± --- ± --- 0 PLACE ± --- ± --- ANGULAR ± ---° DRAFT WHERE APPLICABLE MUST REMAIN WITHIN DIMENSIONS	DIMENSION STYLE MM ONLY DRAWN BY DATE KBINGHAM 2013/03/26 CHECKED BY DATE TMCLELLAND 2013/03/27 APPROVED BY DATE TMCLELL 2013/03/27	SCALE 1:1 DESIGN UNITS METRIC THIRD ANGLE PROJECTION	TITLE PACKAGING SPECIFICATION VERTICAL IPASS 75784 SERIES molex	MATERIAL NO. N/A DOCUMENT NO. PK-75784-001 SHEET NO. 2 OF 3
	REV A1	THIS DRAWING CONTAINS INFORMATION THAT IS PROPRIETARY TO MOLEX INCORPORATED AND SHOULD NOT BE USED WITHOUT WRITTEN PERMISSION				

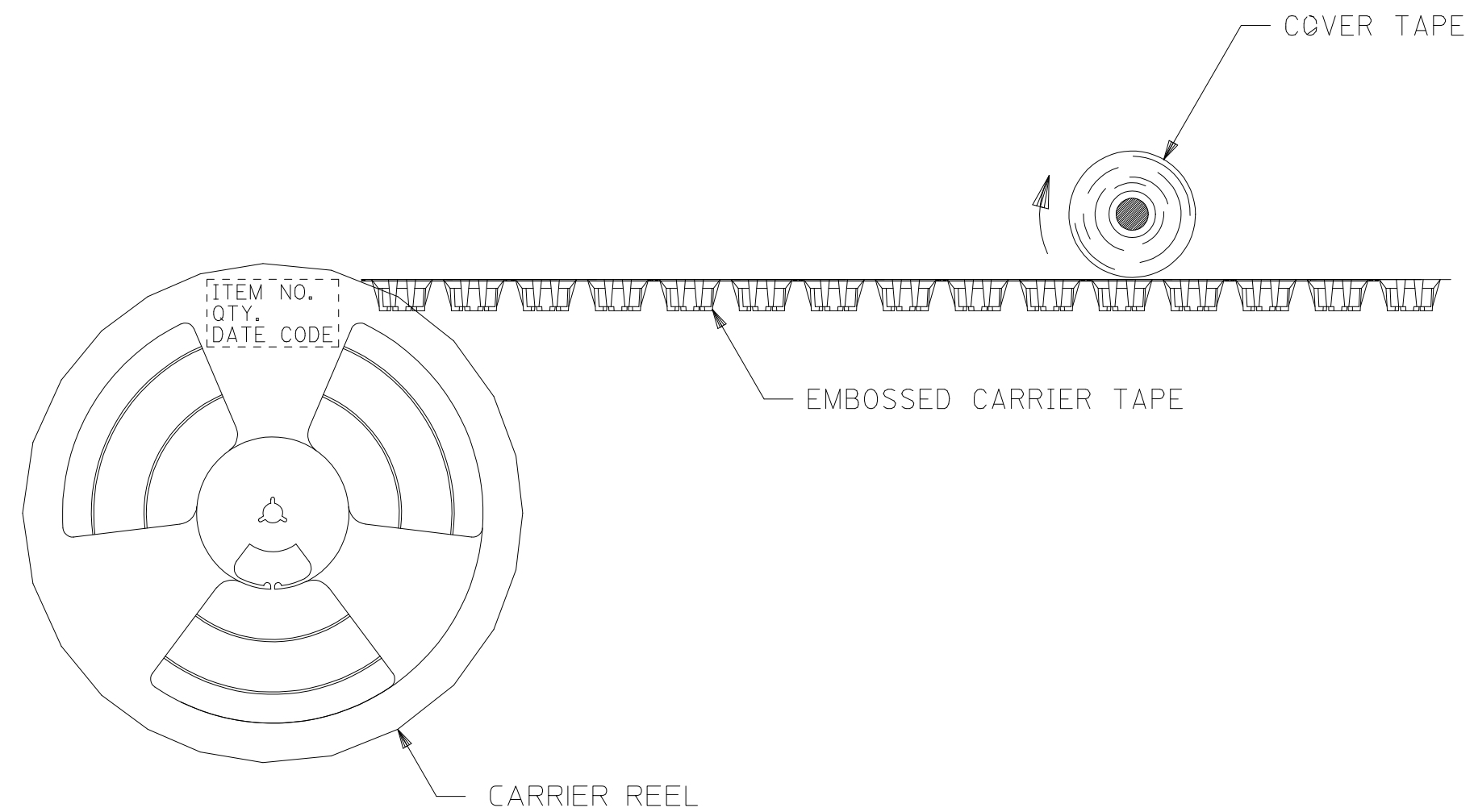
CKT SIZE	PARTS PER REEL	REELS PER CARTON	SPQ	MOQ	LEADING EMPTY POCKETS***	TRAILING EMPTY POCKETS***
26	70	2	140	1260	6	15
36	70	2	140	1260	10	21
50	70	2	140	1260	10	21
68	70	2	140	1260	10	21

*** SEE NOTE 11



DETAIL B
(SEE NOTE 7)

PRE-RELEASE
REFERENCE
USE ONLY



SEE SHEET 1 EC NO: UCP2017-1240 DRWN: TMCLELL 2016/12/07 CHKD: TMCLELLAND 2016/12/08 APPR: TMCLELL 2016/12/22	QUALITY SYMBOLS	GENERAL TOLERANCES (UNLESS SPECIFIED)		DIMENSION STYLE MM ONLY		SCALE 1:1	DESIGN UNITS METRIC	THIRD ANGLE PROJECTION		
	△=0 ▽=0 ▽=0	4 PLACES	mm	INCH	DRAWN BY	DATE	TITLE PACKAGING SPECIFICATION VERTICAL IPASS 75784 SERIES			
		3 PLACES	± ---	± ---	KBINGHAM	2013/03/26				
		2 PLACES	± ---	± ---	CHECKED BY	DATE	DOCUMENT NO. PK-75784-001			
		1 PLACE	± ---	± ---	TMCLELLAND	2013/03/27				
0 PLACE		± ---	± ---	APPROVED BY	DATE	SHEET NO. 3 OF 3				
ANGULAR ± ---°		DRAFT WHERE APPLICABLE MUST REMAIN WITHIN DIMENSIONS		MATERIAL NO. N/A						THIS DRAWING CONTAINS INFORMATION THAT IS PROPRIETARY TO MOLEX INCORPORATED AND SHOULD NOT BE USED WITHOUT WRITTEN PERMISSION
REV A1										