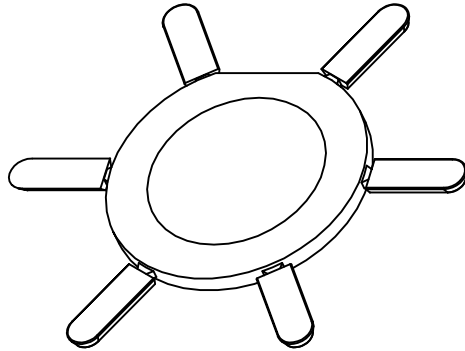


SIGN	DATE	DESCRIPTION	APPROVER
		THIS IS CAD DRAWING, DO NOT REVISE MANUALLY!!!	

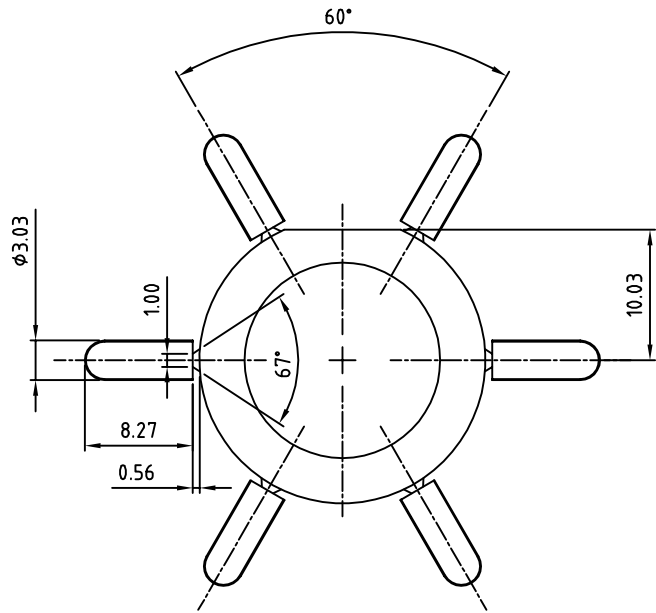
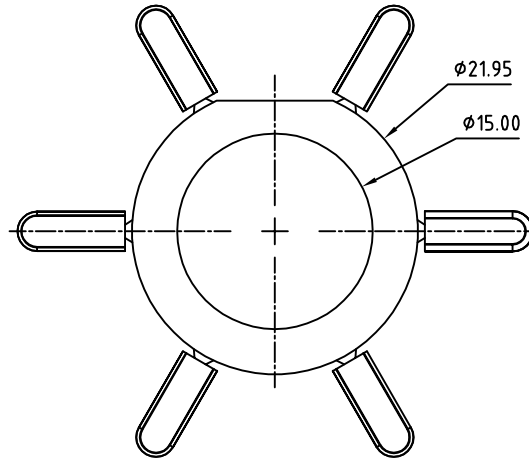
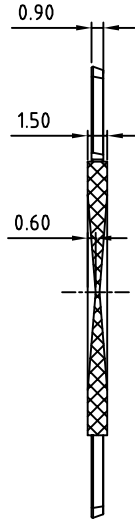
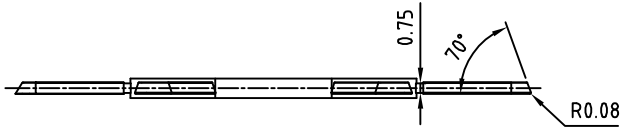


Material

● Insulator (housing): Thermoplastic (UL94V-0)

Pitch 5.0/5.08/7.5/7.62

	OSTTJ	OSTTS	OSTVM	OSTVD	OSTVH	OSTEM
OSTAE	●	●	●	●	●	●



THESE DRAWINGS AND SPECIFICATIONS ARE THE PROPERTY OF ON-SHORE TECHNOLOGY, INC. AND SHALL NOT BE REPRODUCED, COPIED OR USED IN ANY MANNER WITHOUT THE PRIOR WRITTEN CONSENT OF ON-SHORE TECHNOLOGY, INC.



TITLE		OSTAE Series Key				
PART NO.	OSTAE000020	DWG NO.	OSTAE000020.DWG			
APPROVED	CHECKED	DESIGNED	DRAWN	CUST NO.	Tolerance	
Shi Jun 2006.11.3	Marvin 2006.04.11	Marvin 2006.04.11	Marvin 2006.04.11		X. ±0.50 X.X ±0.30 X.XX ±0.10 X° ±1°	
				UNIT: mm		
				SCALE: NONE		
				REV.: B		
				SHEET: 01/01		