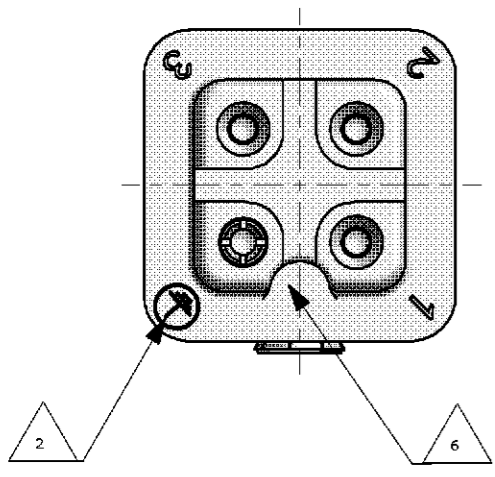
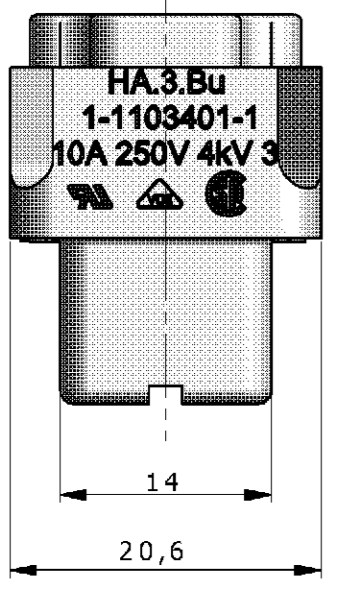


LOC	DIST	REVISIONS ÄNDERUNGEN				DATE	DWN	APVD
AI	-	P	LTR	DESCRIPTION BESCHREIBUNG				
PROJECT NR.	HA.3/4	C1		PRINTING CORRECTED ECR-06-021058	01.09.2006	SR	SM	

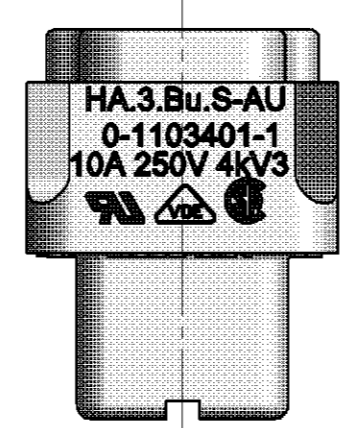
CONTACT ARRANGEMENT  
VIEW FROM CONNECTING SIDE



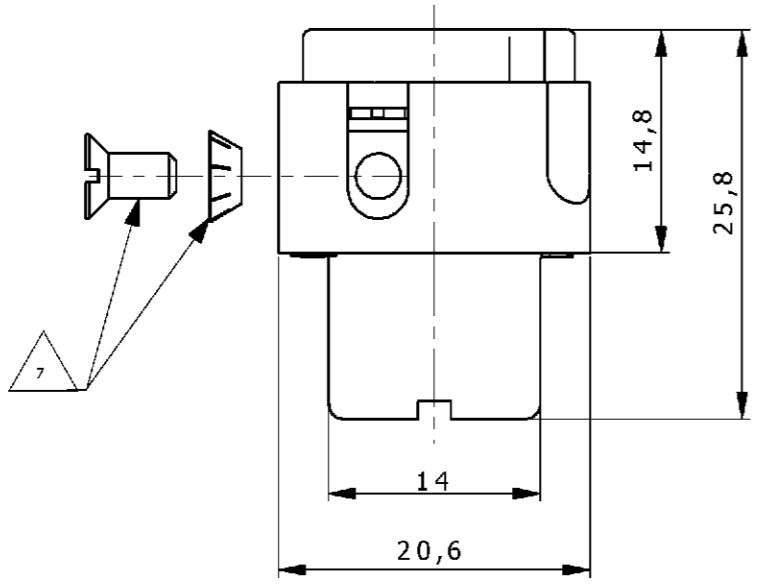
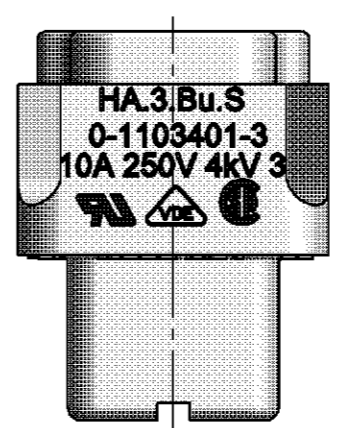
LATERAL PRINT  
PN 1-1



LATERAL PRINT  
PN 0-1



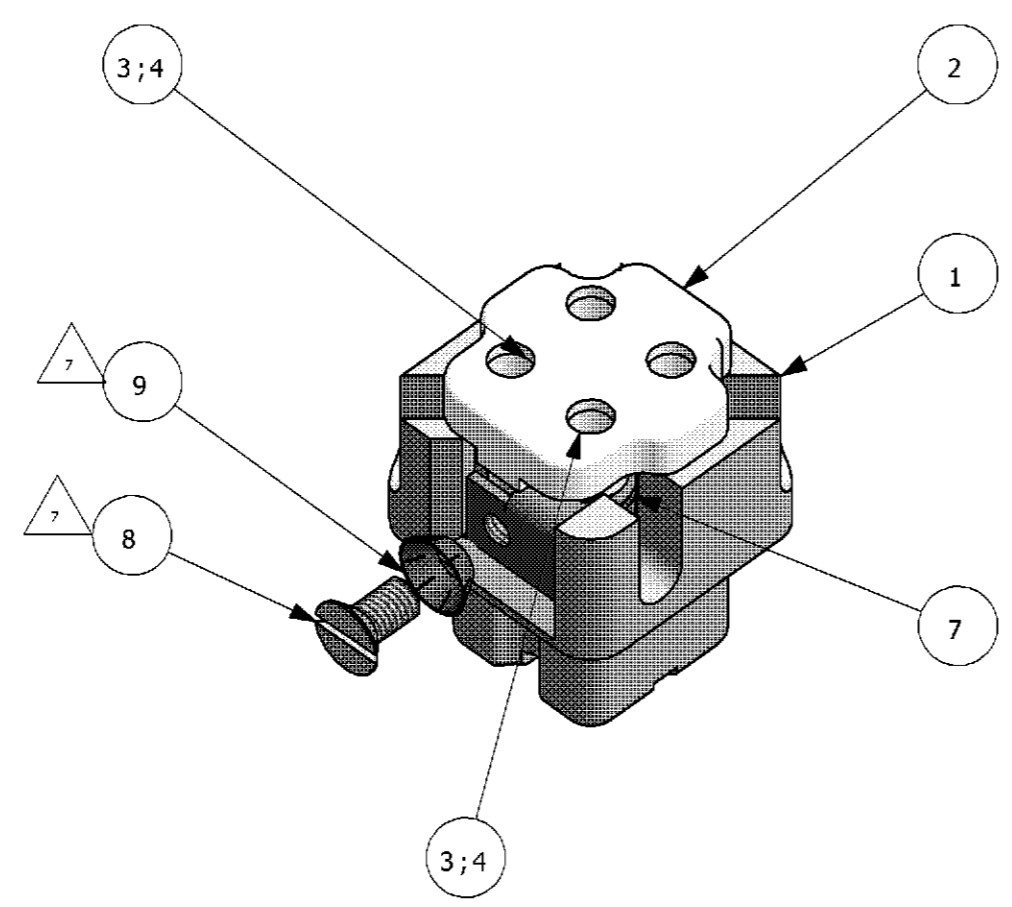
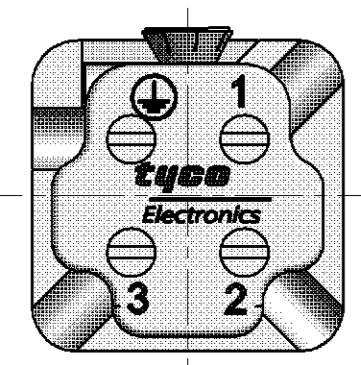
LATERAL PRINT  
PN 0-3



NOTES

- 1 CONTACT: 1 TO 3  
SUITABLE SCREW CONTACTS: SERIES HA.3  
OUTER DIMENSIONS OF INSULATION: MAX. Ø3,4 MM
- 2 GROUNDING CONTACT:  
SUITABLE SCREW CONTACTS: SERIES HA.3  
OUTER DIMENSIONS OF INSULATION: MAX. Ø3,4 MM
- 3 SUITABLE HOOD SIZE 1: SERIES HA; HD; EMV AND HIP
- 4 SUITABLE INSERTION AND EXTRACTION TOOL:  
SCREWDRIVER 2,0x65
- 5 STANDARDS:  
DIN EN 61984; DIN EN 60664-1
- 6 POLARIZATION RIPS
- 7 POS. 8 AND POS.9 PACKED SEPARATE IN POLY BAG
- 8 AUTHORIZATION: UL; CSA; VDE; SEV
- 9 PACKAGING:  
10 SETS IN A CARTON, PRE-MOUNTED
- 10 PACKAGING:  
200 SETS IN A CANN-BAN BOX

CONTACT ARRANGEMENT  
VIEW FROM TERMINATION SIDE



QTY	QTY	QTY	QTY	DESCRIPTION	MATERIAL	COLOR	SURFACE	ITEM	NOTES
1	1	1		SPRING WASHER	SEEL		ZINK PLATED	9	V3.2
1	1	1		SLOTTED OUTER FLAT HEAD SCREW	SEEL		ZINK PLATED	8	M3x6
4	4	4	4	SLOTTED CHEESE HEAD SCREW	BRASS		NICKEL PLATED	7	M3x5.5
1				EARTING CONTACT PIN WITH ANGLE	BRASS		SILVER PLATED	6	
1		1	1	EARTING CONTACT SOCKET WITH ANGLE	BRASS		GOLD PLATED	5	
3				CONTACT SOCKET	BRASS		GOLD PLATED	4	
3		3	3	CONTACT SOCKET	BRASS		SILVER PLATED	3	
1	1	1	1	COVER	PC	BEIGE		2	
1	1	1	1	FEMALE INSERT	PC	BEIGE		1	
QTY	QTY	QTY	QTY	DESCRIPTION	MATERIAL	COLOR	SURFACE	ITEM	NOTES
0-3	0-2	0-1	1-1						
				HA.3.Bu.S					
				HA.3.Bu.S-AU					
				HA.3.Bu.S-KM					
				HA.3.Bu.S					

THIS DRAWING IS A CONTROLLED DOCUMENT FOR AMP INCORPORATED. IT IS SUBJECT TO CHANGE AND THE CONTROLLING ENGINEERING ORGANIZATION SHOULD BE CONTACTED FOR THE LATEST REVISION. DIESSES ZEICHNUNGS-DOKUMENT WIRD DURCH AMP INCORPORATED KONTROLLIERT. ANDERÄNDERUNGEN, DIE DEM TECHNISCHEN FORTSCHRITT ÜBEREN, SIND VORZUHALTEN. DEN VEREINBARTETEN QUALITÄTS-ÄNDERUNGSSTREIFEN BEFOLGEN SIE AMP ANFANG.

DIMENSIONS:  
DIMENSIONEN:  
m/m

TOLERANCES UNLESS OTHERWISE SPECIFIED:  
ALLGEMEIN TOLERANZEN

m. ISO 8013 - m H-E  
m. ISO 2768 - m H-E  
m. DIN 16981 - 140

Ø PLC #  
1 PLC #  
2 PLC #  
3 PLC #  
ANGLES / WINKEL #

MATERIAL FINISH / OBERFLÄCHE / FARBE

WEIGHT / GEWICHT 0,013 KG

DWN SCHNEIDER 09.05.2006  
CHK KRAMER 24.09.1999  
ARVD T.SCHNURPFEL 10.04.2006

NAME FEMALE INSERT  
HA.3.BU.S

PRODUCT SPEC. 108-74055  
APPLICATION SPEC. 114-74056

SIZE A2  
CAGE CODE 00779  
DRAWING NO. 1103401  
RESTRICED TO NUR FÜR

CUSTOMER DRAWING / KUNDENZEICHNUNG SCALE 1:1 SHEET 1 OF 1 REV. C1

**tyco** Tyco / Electronics AMP GmbH  
D - 53819 Neunkirchen