

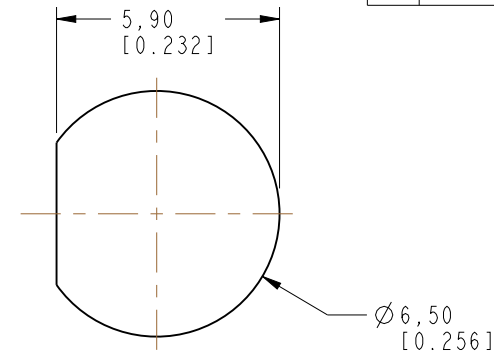
NOTES:

1. MATERIALS AND FINISHES:  
 BODY - BRASS, GOLD PLATING.  
 CONTACT - BeCu, GOLD PLATING.  
 INSULATOR - PTFE, NATURAL  
 NUT - BRASS, NICKLE PLATING
2. ELECTRICAL:  
 A. IMPEDANCE: 75 OHM  
 B. FREQUENCY RANGE: DC-18 GHz  
 C. RETURN LOSS (VSWR): -25dB (1.12) MAX DC-6 GHz  
 -20dB (1.22) MAX 6-12 GHz  
 D. DIELECTRIC WITHSTANDING VOLTAGE: 1000 VRMS, MIN.
3. MECHANICAL:  
 A. DURABILITY: 500 CYCLES MIN.  
 B. TEMPERATURE RANGE: -65° C TO +165° C
4. PACKAGING:  
 A. QUANTITY: SINGLE PACK  
 B. MARKING: BAG TO BE MARKED:  
 "AMPHENOL RF, 34-1028-12G DATE CODE"

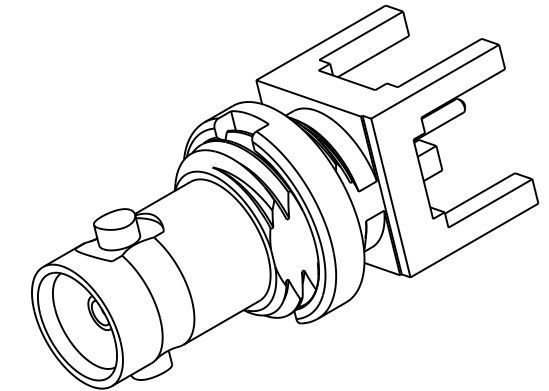
THIRD ANGLE PROJ.

REVISIONS

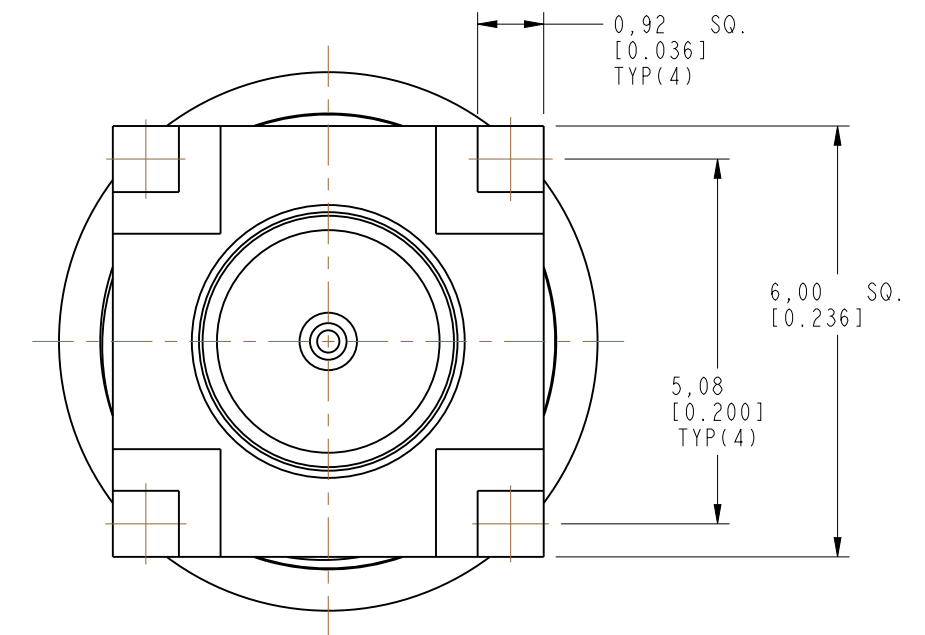
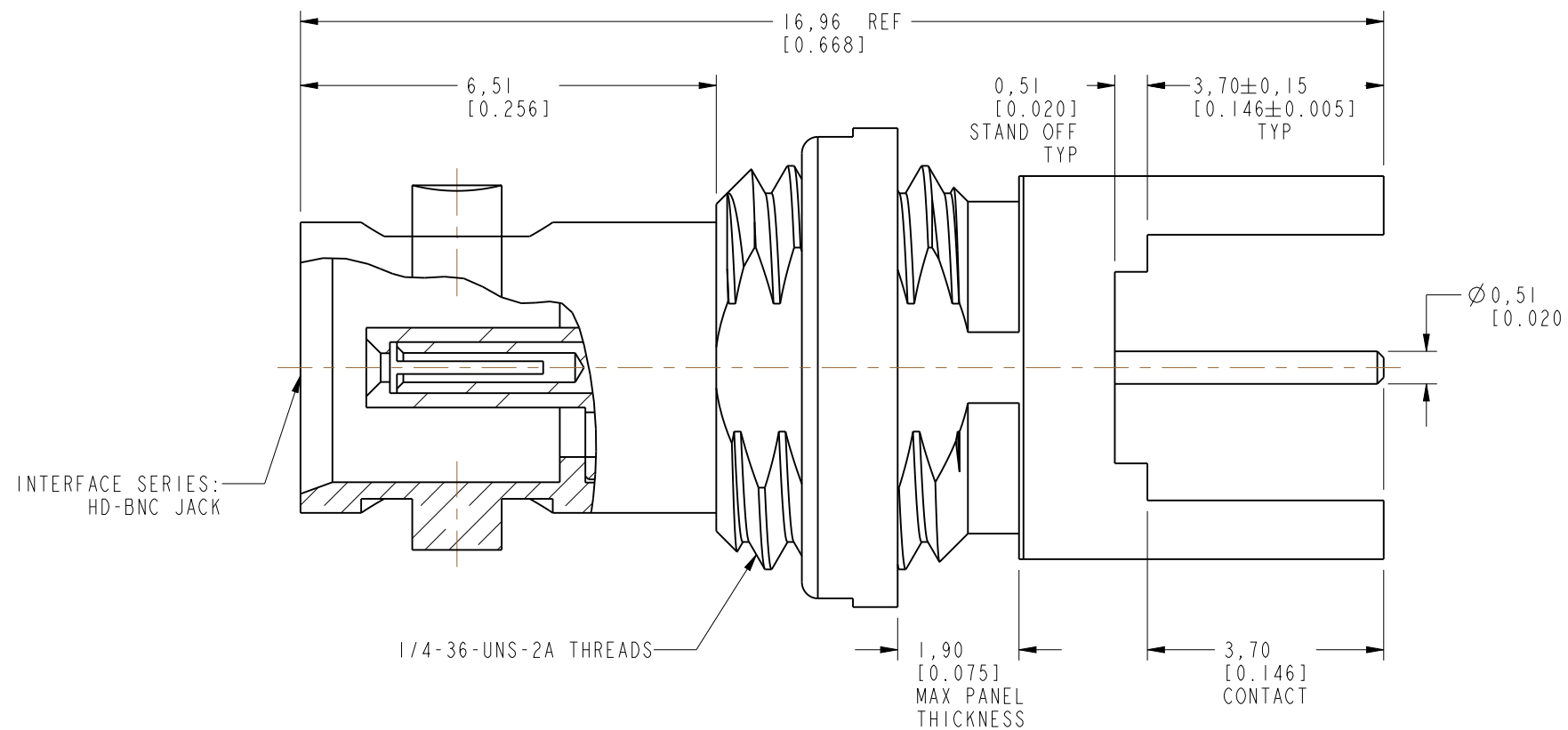
REV	DESCRIPTION	DATE	ECN	APPR
A	RELEASE TO MFG.	13-Mar-18	7181	BMG



SCALE 5.000  
 RECOMMENDED PANEL CUTOUT  
 DIMENSIONS



SCALE 4.000



**CUSTOMER OUTLINE DRAWING**  
 ALL OTHER SHEETS ARE FOR INTERNAL USE ONLY

UNLESS OTHERWISE SPECIFIED, DIMENSIONS ARE IN METRIC AND TOLERANCES ARE:  
 <0.5mm ±0.05mm    0.5 - 6mm ±0.1mm    6 - 30mm ±0.2mm    30 - 120mm ±0.3mm    ANGLES ±1°

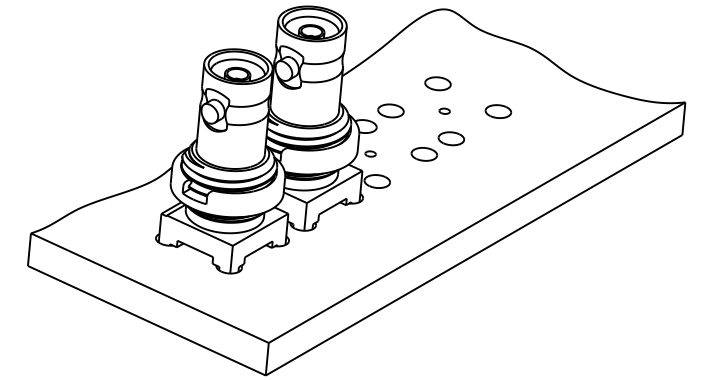
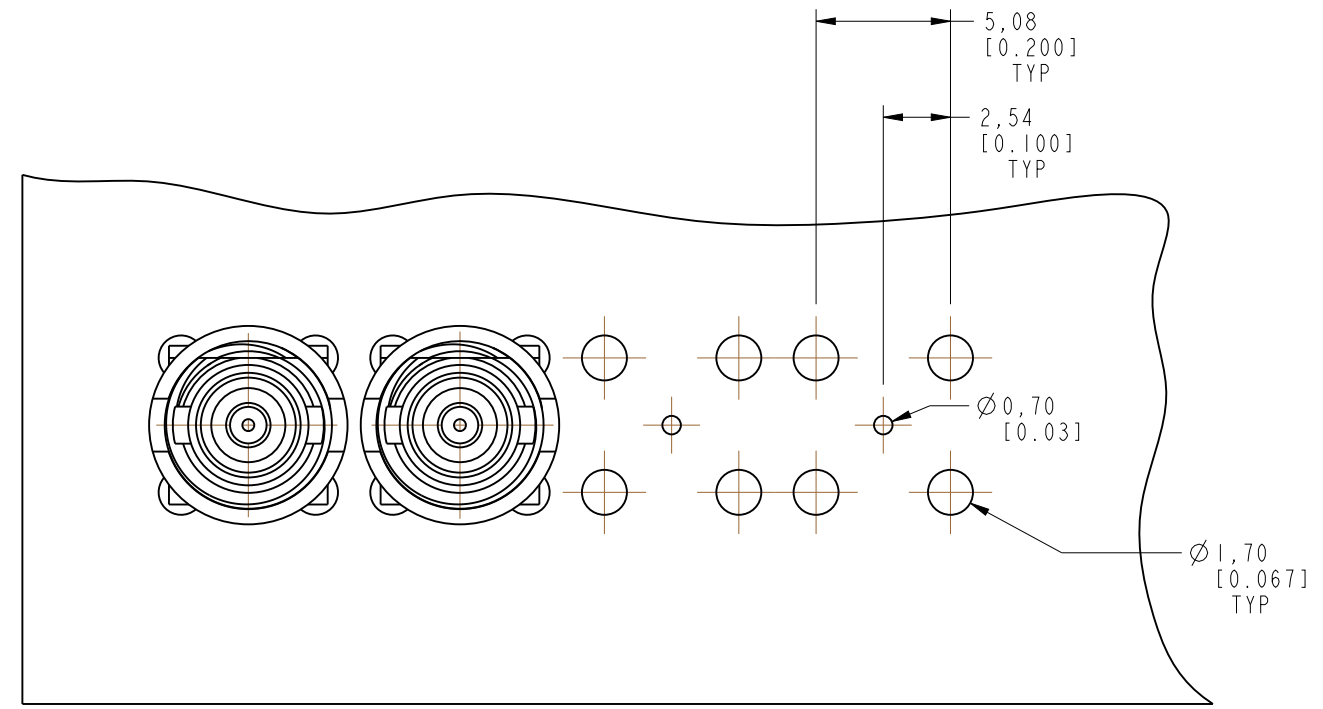
NOTICE - These drawings, specifications, or other data (1) are, and remain the property of Amphenol corp. (2) must be returned upon request; and (3) are confidential and not to be disclosed to any person other than those to whom they are given by Amphenol Corp. the furnishing of these drawings, specifications, or other data by Amphenol Corp., or to any other person to anyone for any purpose is not to be regarded by implication or otherwise in any manner licensing, granting rights to permitting such holder or any other person to manufacture, use or sell any product, process or design, patented or otherwise, that may in any way be related to or disclosed by said drawings, specifications, or other data.

MATERIAL SEE NOTES	DRAWN B. GREENBAUM	DATE 27-Nov-17	TITLE HB-BNC STR BHD JACK RECEPTACLE THRU HOLE PCB SCALE: 9.5:1.0   SHEET 2 OF 3		Amphenol RF www.amphenolrf.com	
REFERENCE EAR# 8093	ENGINEER B. GREENBAUM	DATE 27-Nov-17			DRAWING NO. 34-1028-12G	
REF: 34-1018-12G	APPROVED K. CAPOZZI	DATE 13-Mar-18			ITEM NO. 34-1028-12G	
CONFIGURATION LEVEL: In Work	CAD FILE				PART NO. 34-1028-12G	
FINISH			DWG SIZE B	REV A		

THIRD ANGLE PROJ.

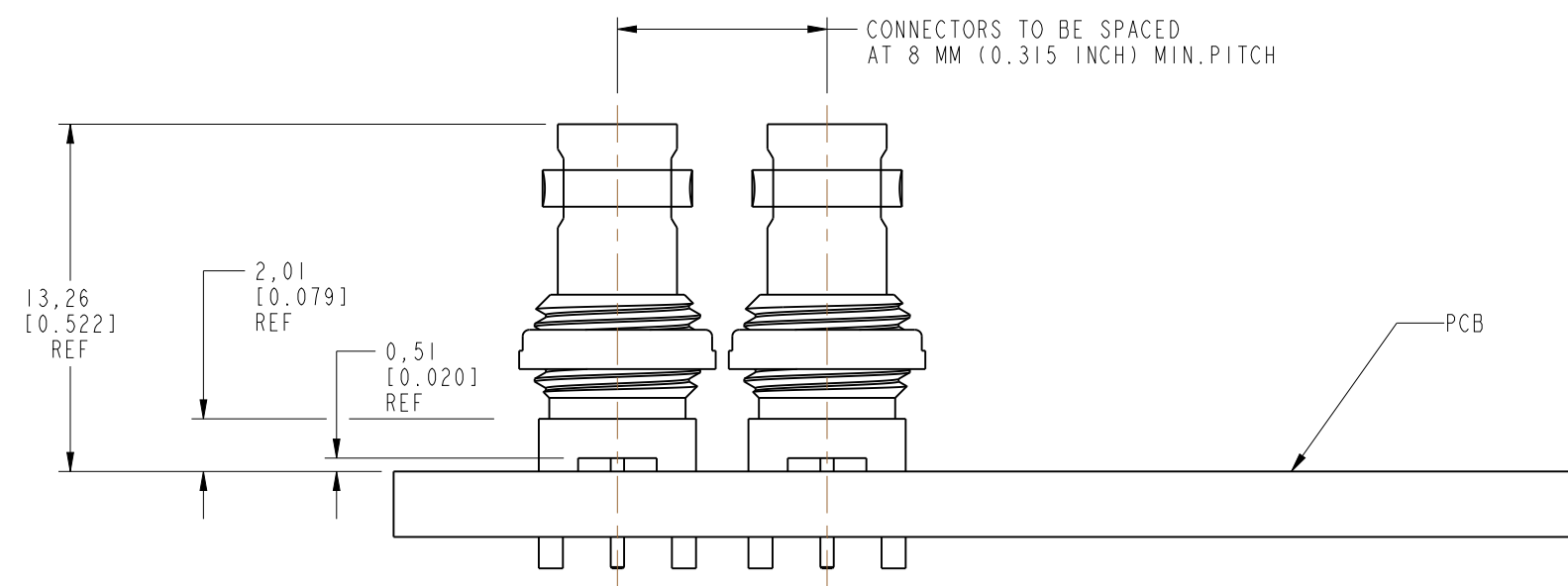
REVISIONS

REV	DESCRIPTION	DATE	ECN	APPR
A	RELEASE TO MFG.	13-Mar-18	7181	BMG



SCALE 2.000

# RECOMMENDED PCB MOUNTING HOLES



## CUSTOMER OUTLINE DRAWING

ALL OTHER SHEETS ARE FOR INTERNAL USE ONLY

<p>UNLESS OTHERWISE SPECIFIED, DIMENSIONS ARE IN METRIC AND TOLERANCES ARE:          &lt;0.5mm ± 0.05mm    0.5 - 6mm ± 0.1mm    6 - 30mm ± 0.2mm    30 - 120mm ± 0.3mm    ANGLES ± 1°</p> <p>NOTICE - These drawings, specifications, or other data (1) are, and remain the property of Amphenol corp. (2) must be returned upon request; and (3) are confidential and not to be disclosed to any person other than those to whom they are given by Amphenol Corp. the furnishing of these drawings, specifications, or other data by Amphenol Corp., or to any other person to anyone for any purpose is not to be regarded by implication or otherwise in any manner licensing, granting rights to permitting such holder or any other person to manufacture, use or sell any product, process or design, patented or otherwise, that may in any way be related to or disclosed by said drawings, specifications, or other data.</p>	<p>MATERIAL</p> <p>-</p>	<p>DRAWN</p> <p>B. GREENBAUM</p>	<p>DATE</p> <p>27-Nov-17</p>	<p>TITLE</p> <p>HB-BNC STR BHD JACK RECEPTACLE THRU HOLE PCB</p>	<p>Amphenol RF</p> <p>www.amphenolrf.com</p>	
	<p>REFERENCE</p> <p>EAR# 8093</p> <p>REF: 34-1018-12G</p>	<p>ENGINEER</p> <p>B. GREENBAUM</p>	<p>DATE</p> <p>27-Nov-17</p>			<p>SCALE: 3.5:1.0   SHEET 3 OF 3</p>
	<p>CONFIGURATION LEVEL: In Work</p>	<p>APPROVED</p> <p>K. CAPOZZI</p>	<p>DATE</p> <p>13-Mar-18</p>	<p>DWG SIZE</p> <p>B</p>	<p>REV</p> <p>A</p>	<p>DRAWING NO. 34-1028-12G</p>
	<p>FINISH</p>	<p>CAD FILE</p>	<p>ITEM NO. 34-1028-12G</p>	<p>PART NO. 34-1028-12G</p>		