

THIS DRAWING IS UNPUBLISHED. RELEASED FOR PUBLICATION
 © COPYRIGHT BY TYCO ELECTRONICS CORPORATION. ALL RIGHTS RESERVED.

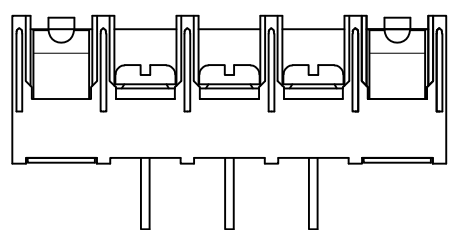
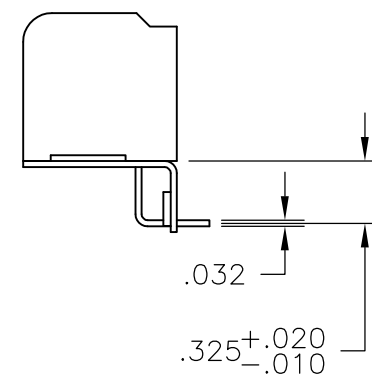
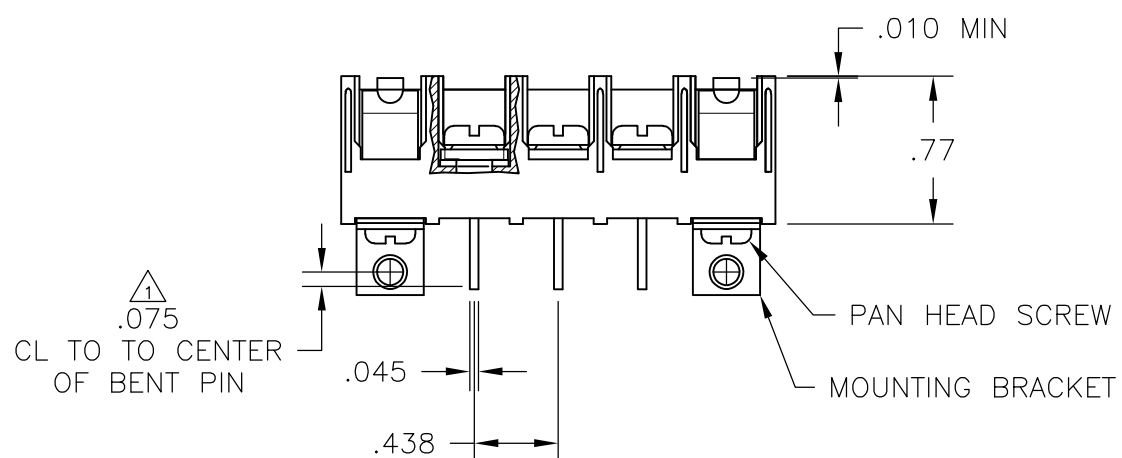
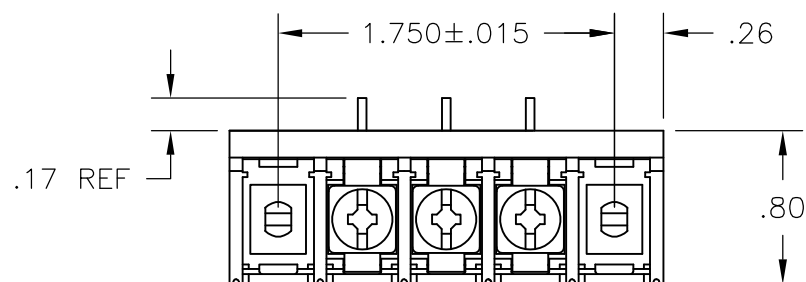
| LOC | DIST | REVISIONS | | | |
|-----|------|---------------------------|---------|-----|------|
| P | LTR | DESCRIPTION | DATE | DWN | APVD |
| | G | REVISED PER ECO-10-004812 | 04MAY10 | HMR | CR |

MATERIAL:
 HOUSING: THERMOPLASTIC, UL94V-0, BLACK.
 TERMINAL: BRIGHT TIN PLATED COPPER ALLOY.
 SCREWS: 8-32, ZINC PLATED STEEL.

ELECTRICAL:
 CURRENT RATING: 30A
 VOLTAGE RATING: 600V
 WIRE RANGE: 10-18 AWG (UL)
 10-22 AWG (CSA)

MECHANICAL:
 RECOMMENDED TORQUE: 20 IN-LB.
 OPERATING TEMP: -40°C TO +120°C
 RECOMMENDED PCB HOLE: ϕ .073

- ① ONLY 1-1546160-0.
- ② OBSOLETE PARTS: OBSOLETE CIS STREAMLINING PER D.RENAUD/D.SINISI



2-1546160-0 ②

| NO OF POS | CATALOG NUMBER | TE PART NO. |
|-----------|----------------|-------------|
| 3 | 8WWV-03-654 | 2-1546160-0 |
| 3 | 8WWV-03-420 | 1-1546160-0 |

| | | | | | | |
|--|--|-----------------------|---|-----------|---------------|---------------|
| THIS DRAWING IS A CONTROLLED DOCUMENT. | | DWN S SCHLEGEL 4/2/03 | Tyco Electronics Corporation Harrisburg, PA 17105-3608 | | | |
| DIMENSIONS: INCHES | TOLERANCES UNLESS OTHERWISE SPECIFIED: | CHK H WAKEEM 4/2/03 | NAME 8WWV-03-420 ASSEMBLY | | | |
| | | APVD H WAKEEM 4/2/03 | | | | |
| MATERIAL | FINISH | PRODUCT SPEC | SIZE | CAGE CODE | DRAWING NO | RESTRICTED TO |
| | | APPLICATION SPEC | — | A300779 | C-1-1546160-0 | — |
| CUSTOMER DRAWING | | WEIGHT | SCALE | SHEET | REV | |
| | | — | 1:1 | 1 OF 1 | G | |