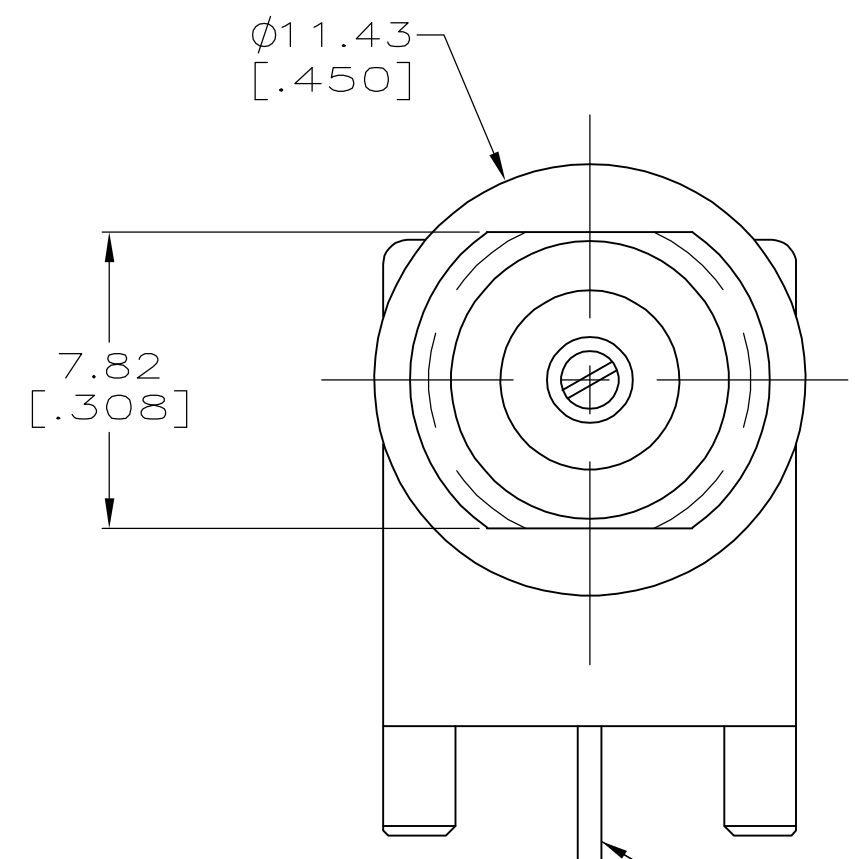
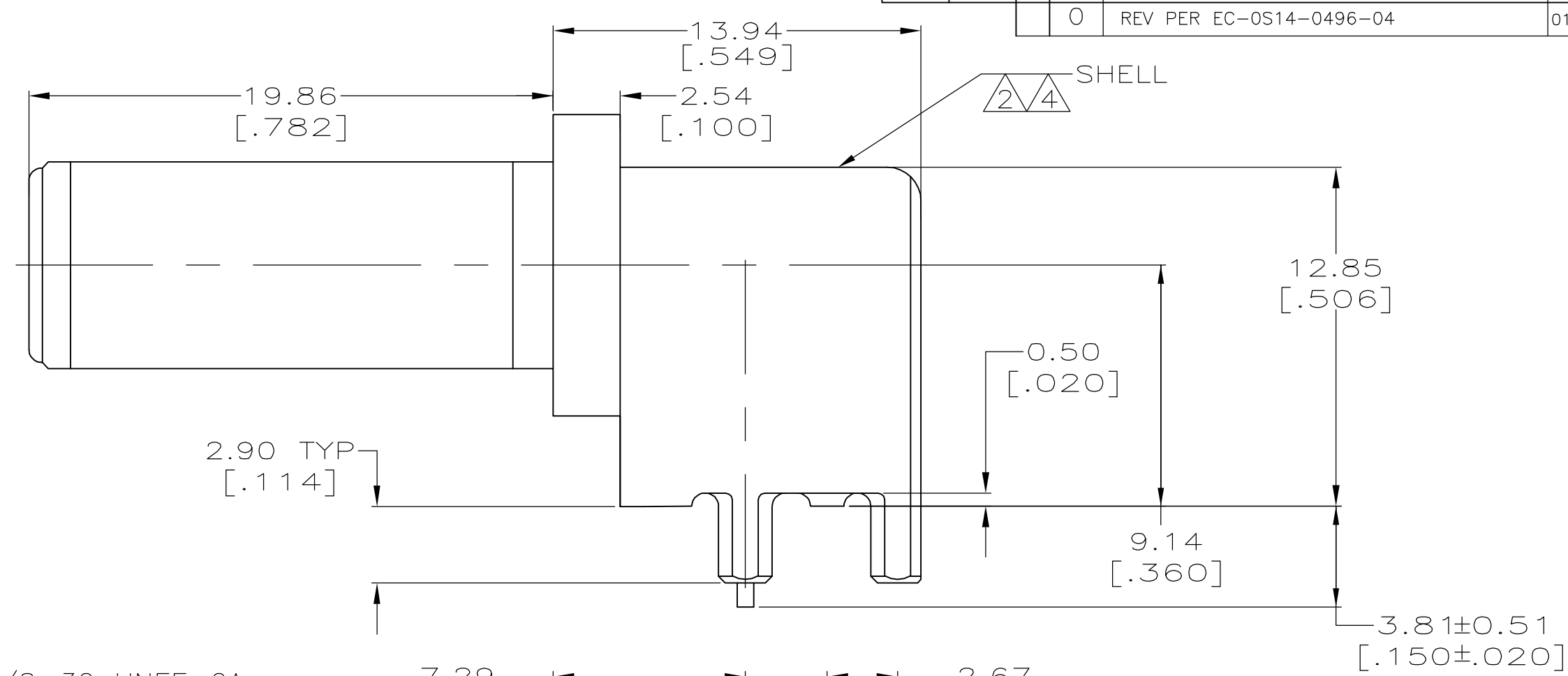


THIS DRAWING IS UNPUBLISHED. RELEASED FOR PUBLICATION
 © COPYRIGHT BY TYCO ELECTRONICS CORPORATION. ALL RIGHTS RESERVED.

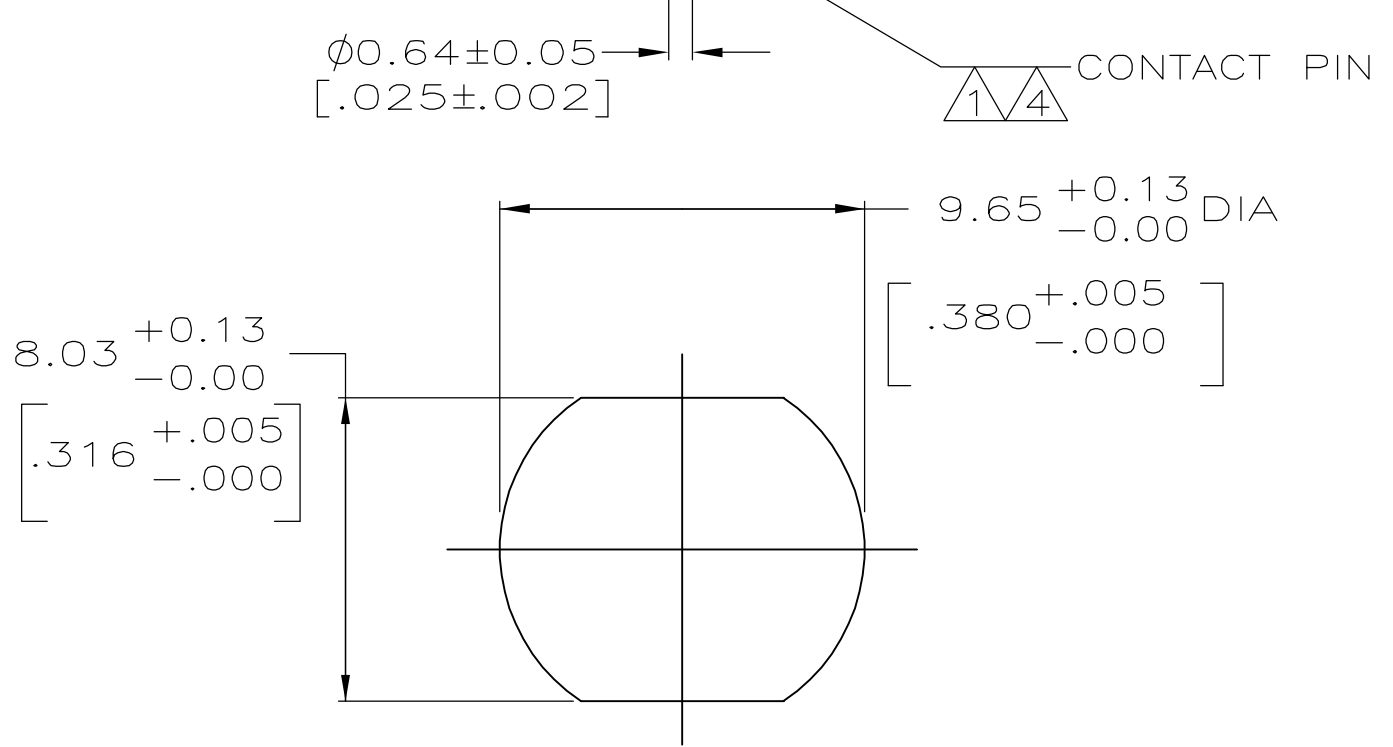
Loc		DIST		REVISIONS			
AJ	16	P	LTR	DESCRIPTION	DATE	DWN	APVD
		0		REV PER EC-0S14-0496-04	01FEB2005	GA	KW



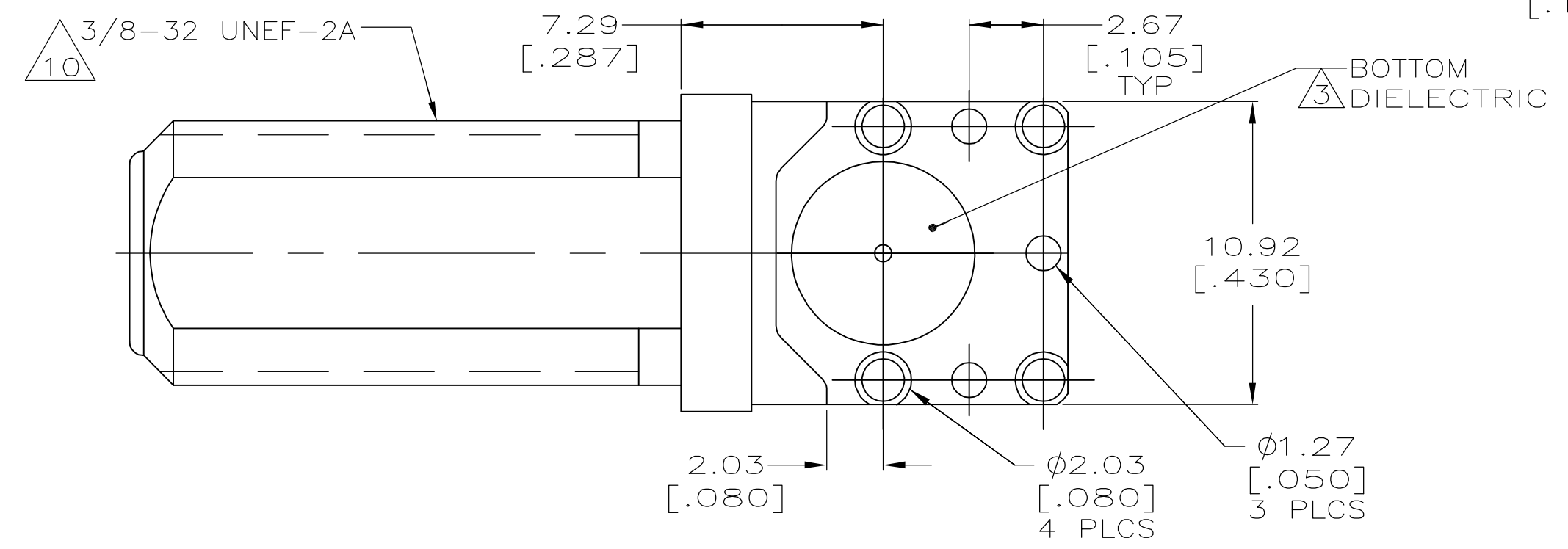
FRONT DIELECTRIC
 CONTACT



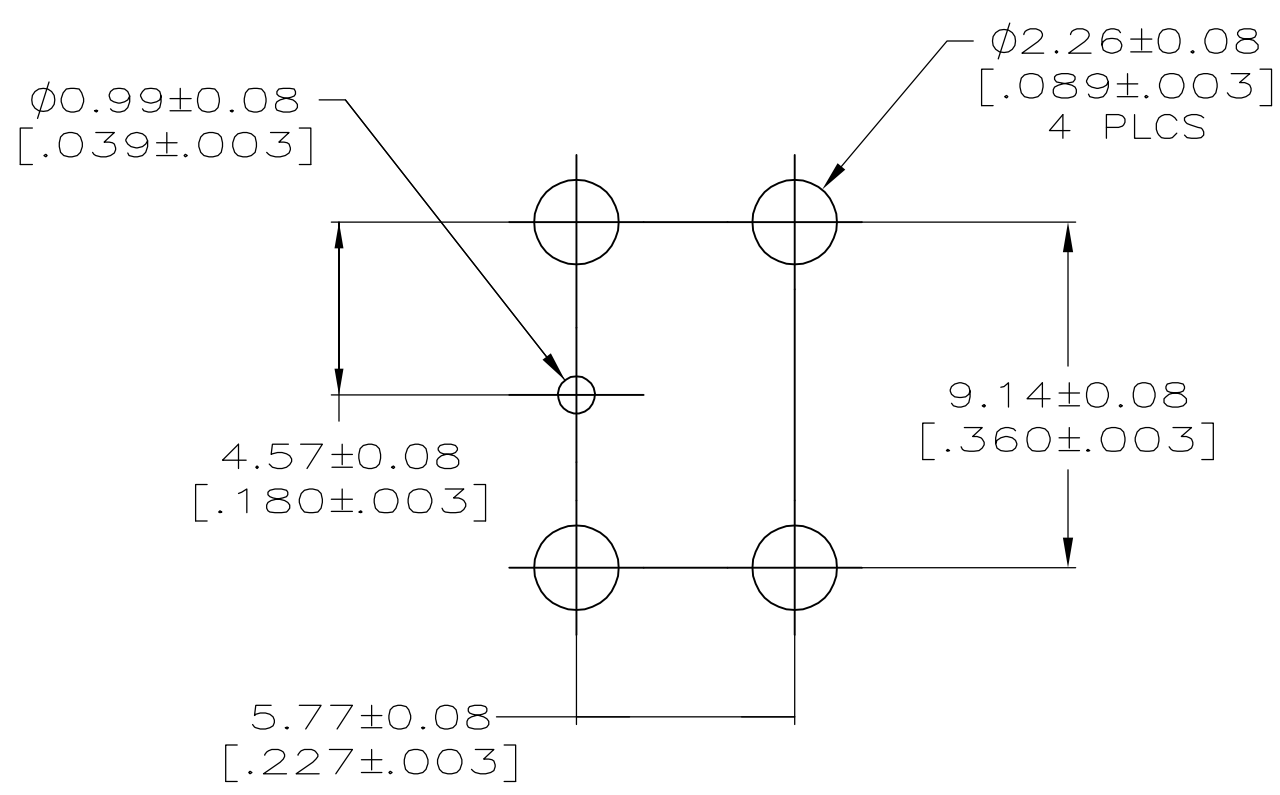
△2/4 SHELL



SUGGESTED PANEL CUTOUT



△3 BOTTOM DIELECTRIC



PCB CONFIGURATION

- △1 BRASS PER ASTM-B-453
- △2 ZINC PER QQ-Z-363.
- △3 ACETAL, GENERAL PURPOSE
- △4 TIN PLATE PER ASTM-B-545
3.81µm [0.000150] MINIMUM THICK OVER
NICKEL PLATE PER QQ-N-290
1.27µm [0.000050] MINIMUM THICK.
- △5 CONNECTOR WILL ACCEPT CENTER CONDUCTOR
DIAMETER RANGE OF 0.56[0.022]-1.19[0.047]
- △6 RETURN LOSS: -20dB MIN AT 1 GHz.
- △7 BERYLLIUM COPPER PER ASTM-B-196.
- △8 POLYMETHYLPENTENE, GENERAL PURPOSE, BLACK.
- △9 TIN PLATE PER ASTM-B-545
3.81µm [0.000150] MINIMUM THICK.
- △10 MAJOR DIA MODIFIED TO .363 REF.

△6/5	△7	△8	5415276-2
CONTACT MATERIAL	FRONT DIELECTRIC MATERIAL	PART NUMBER	

THIS DRAWING IS A CONTROLLED DOCUMENT.		DWN G. ATTADIA - DOCK5 01FEB2005	Tyco Electronics Corporation Harrisburg, Pa 17105-3608	
DIMENSIONS: mm [INCHES]		CHK J. HAVENER 01FEB2005	NAME K. WEIDNER	
TOLERANCES UNLESS OTHERWISE SPECIFIED:		APVD K. WEIDNER 01FEB2005	PRODUCT SPEC	
0 PLC ± -		APPLICATION SPEC		
1 PLC ± -		-		
2 PLC ± -		-		
3 PLC ± 0.20 [0.008]		-		
4 PLC ± -		-		
ANGLES ± -		-		
FINISH		WEIGHT		
SEE NOTES 1-3		-		
SEE NOTE 4		SCALE 8:1		
MATERIAL		CAGE CODE 00779		DRAWING NO C=5415276
SEE NOTES 1-3		RESTRICTED TO		REV 0
CUSTOMER DRAWING		SHEET 1 OF 1		