

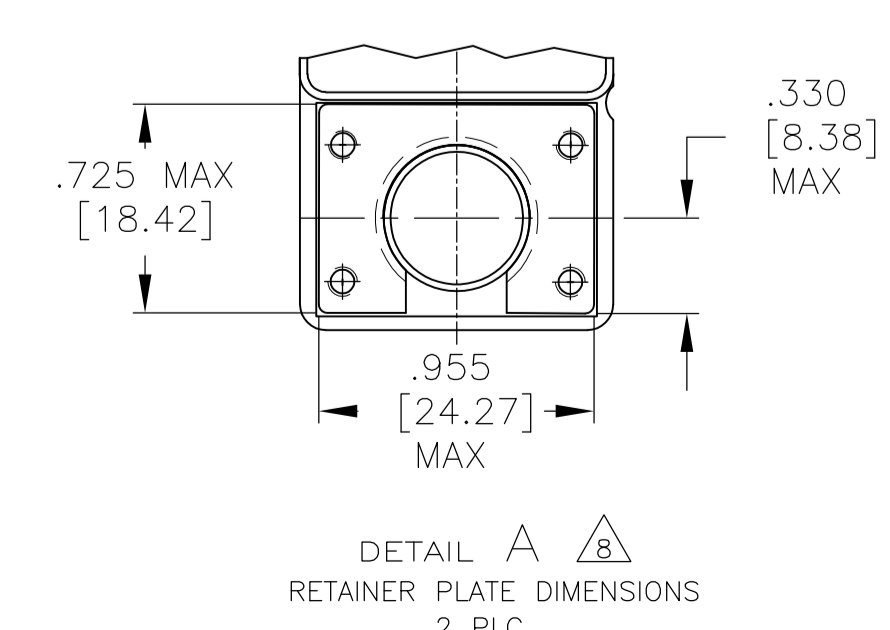
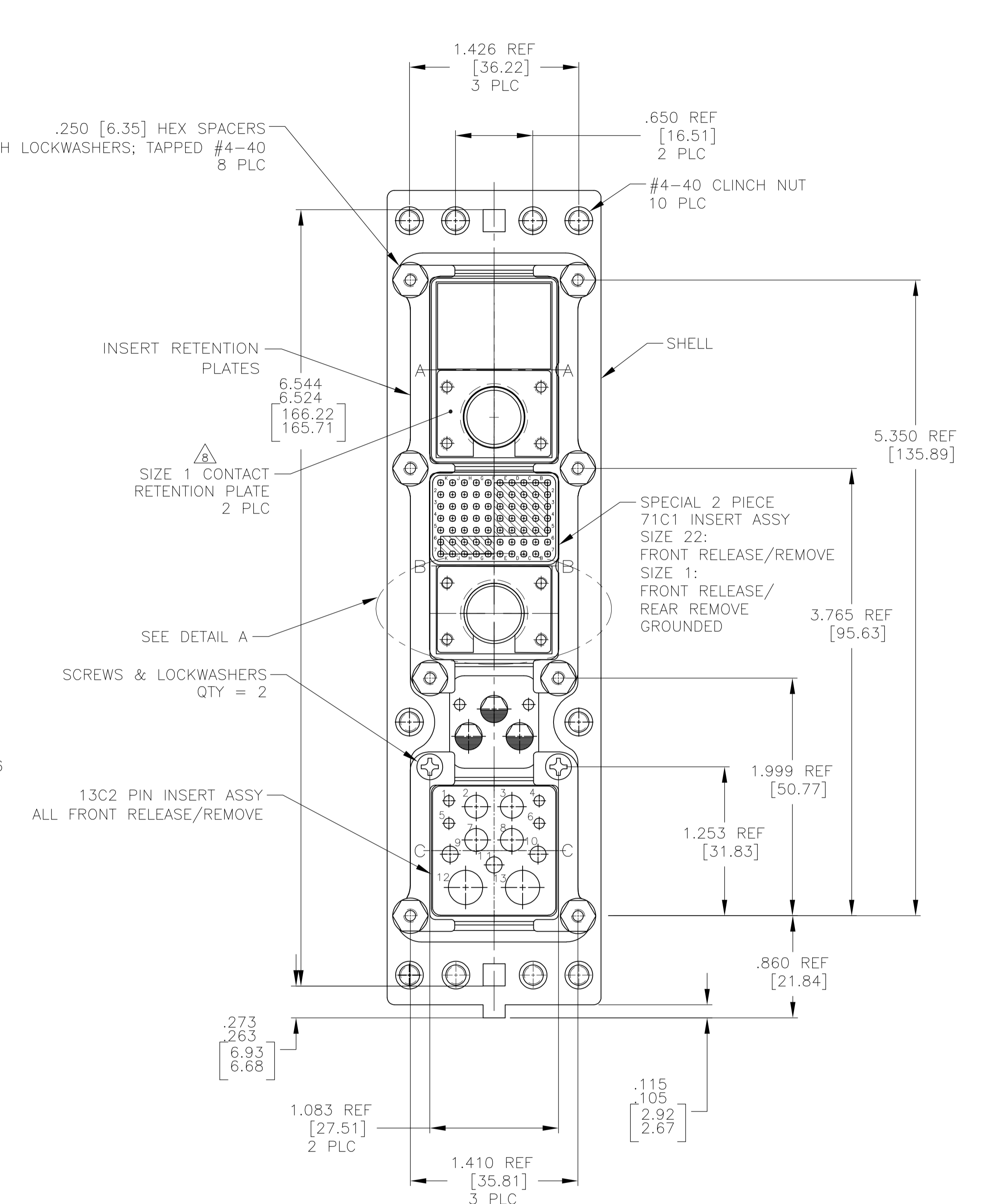
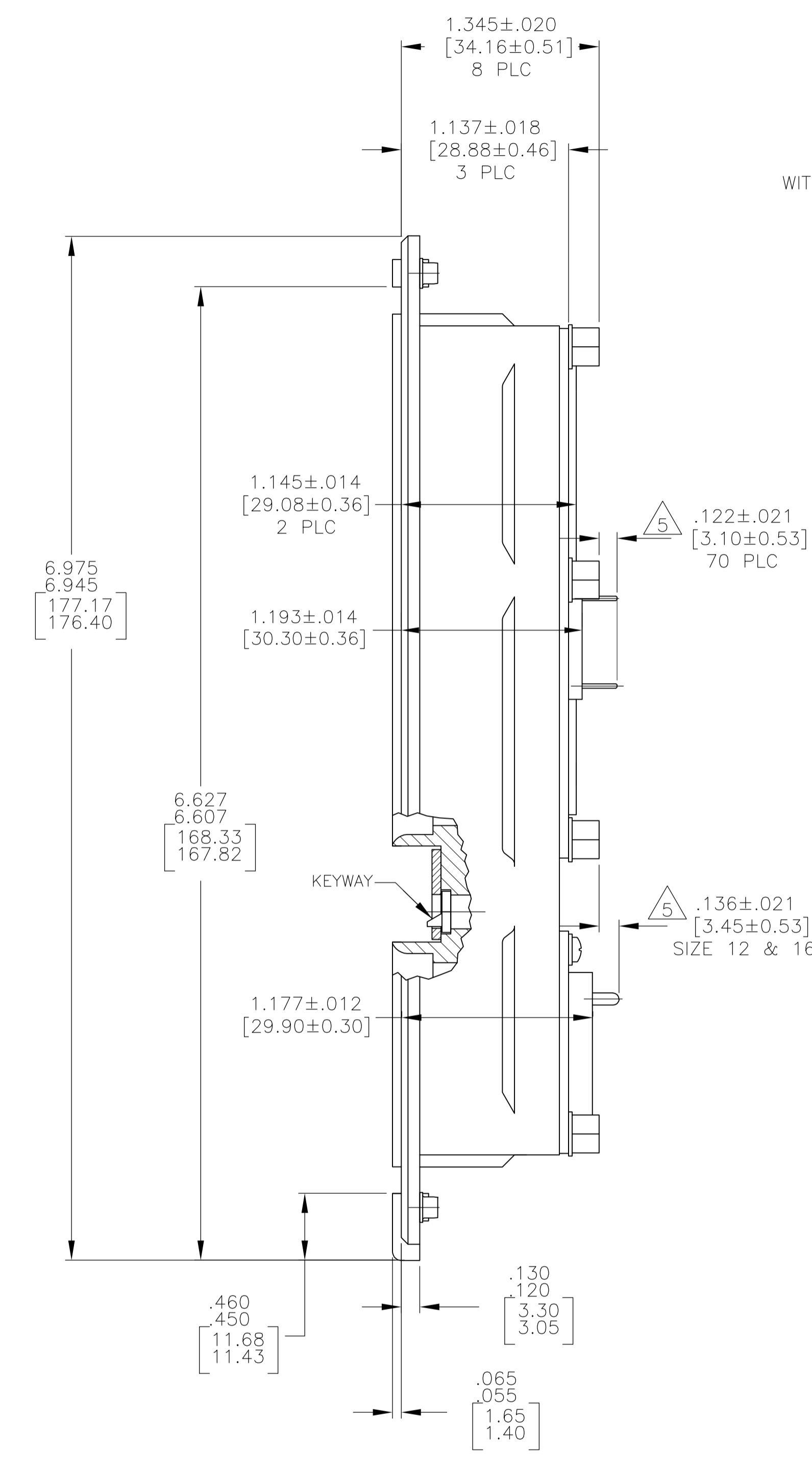
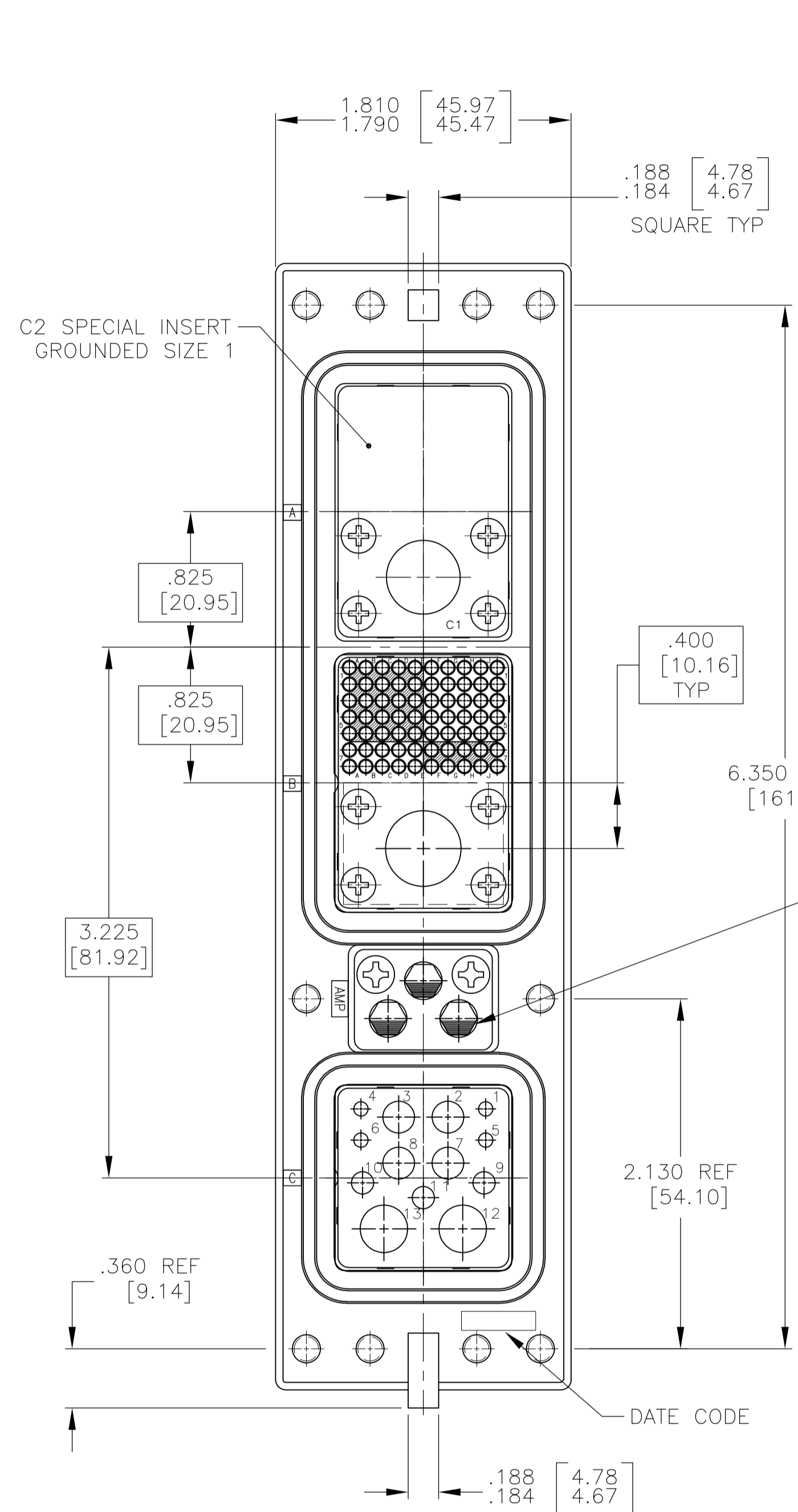
- CONNECTOR DIMENSIONS ARE PER ARINC 600 SPECIFICATION.
 - CONNECTOR IS SUPPLIED WITH A DUST COVER INSTALLED; NOT SHOWN.
 - KEYING SHOWN IN POSITION FOR ILLUSTRATION ONLY. CONNECTORS SHIPPED WITH KEYING INSTALLED IN POSITION PER TABLE. FOR POSITION "00" KEYING HARDWARE SHIPPED UNASSEMBLED.
 - CONTACTS NOT SHOWN IN FRONT AND REAR VIEWS FOR CLARITY.
- 5 DIMENSION TO CONTACT POST IS WITH CONTACTS FULLY SEATED TO REAR OF CONTACT CAVITIES.
- 6 THE FOLLOWING CONTACTS AND FILLER PLUGS ARE LOADED IN THIS CONNECTOR:
 1757321-1:
 MODULE A:
 NONE
 MODULE B:
 P/N 211431-4 (SIZE 22 POSTED CONTACT; QTY = 70)
 MODULE C:
 P/N 448140-3 (SIZE 12 POSTED CONTACT; QTY = 4) POSITIONS 2, 3, 7 & 8.
 P/N 1-448139-1 (SIZE 16 POSTED; QTY = 1) POSITION 11.
 P/N 1484205-1 (SIZE 5 FILLER PLUG; QTY = 2) POSITIONS 12 & 13
 P/N 1663767-2 (SIZE 20 FILLER PLUG; QTY = 4) POSITIONS 1, 4, 5 & 6.
 P/N 1663767-3 (SIZE 16 FILLER PLUG; QTY = 2) POSITIONS 9 & 10.
- 7 THE FOLLOWING CONTACTS AND FILLER PLUGS ARE LOADED IN THIS CONNECTOR:
 1757321-2:
 MODULE A:
 NONE
 MODULE B:
 P/N 211431-4 (SIZE 22 POSTED CONTACT; QTY = 70)
 MODULE C:
 P/N 448140-3 (SIZE 12 POSTED CONTACT; QTY = 1) POSITION 2.
 P/N 1-448139-1 (SIZE 16 POSTED; QTY = 2) POSITIONS 9 & 10
 P/N 1484205-1 (SIZE 5 FILLER PLUG; QTY = 2) POSITIONS 12 & 13
 P/N 1663767-2 (SIZE 20 FILLER PLUG; QTY = 4) POSITIONS 1, 4, 5 & 6.
 P/N 1663767-3 (SIZE 16 FILLER PLUG; QTY = 1) POSITION 11.
 P/N 1663767-4 (SIZE 12 FILLER PLUG; QTY = 3) POSITIONS 3, 7 & 8.
- 8 HARDWARE FOR SIZE 1 CONTACTS INCLUDES RETAINER PLATE, P/N 1757721-1, QTY = 1 AND SCREWS, P/N 211558-1, QTY = 4. HARDWARE IS SHOWN ASSEMBLED BUT SHIPPED UNASSEMBLED.

COMPONENT	MATERIAL	FINISH
SHELL	ALUMINUM ALLOY A380 PER ASTM-B-85	ELECTROLESS NICKEL PER MIL-C-26074
RETENTION PLATES	ALUMINUM ALLOY PER ASTM-B-209	ELECTROLESS NICKEL PER MIL-C-26074
PAN HEAD SCREWS AND LOCKWASHERS	STAINLESS STEEL	PASSIVATED
FLAT HEAD SCREWS (FOR KEYING HARDWARE)	STAINLESS STEEL	PASSIVATED
POLARIZING KEYS	ZINC ALLOY PER ASTM-B-86	-
POLARIZING KEY RETAINING PLATE	ALUMINUM ALLOY PER ASTM-B-209	BLUE ANODIZED PER MIL-A-8625
INSERTS AND RETAINER PLATE FOR SIZE 1	ALUMINUM ALLOY PER ASTM-B-209	ELECTROLESS NICKEL PER MIL-C-26074
71C1 & 13C2 INSERTS	THERMOSET OR THERMOPLASTIC PPS PER MIL-M-24519	-
STANDOFF	STAINLESS STEEL	PASSIVATED

01	7	1757321-2
01	6	1757321-1
KEYING POSITION	CONTACTS INCLUDED AND INSTALLED	PART NUMBER

THIS DRAWING IS A CONTROLLED DOCUMENT.

DIMENSIONS: INCHES [mm]	TOLERANCES UNLESS OTHERWISE SPECIFIED:	DWN: C.C.THOMAS 9-6-04	Tyco Electronics Corporation Harrisburg, Pa 17105-3608
0 PLC ± -	1 PLC ± -	CHK: K.HOGAN 9-6-04	
2 PLC ± -	3 PLC ± .005 [0.13]	APVD: K.HOGAN 9-6-04	RCPT ASSY, SIZE 2, ARINC 600 (C2/71C1/13C2)
4 PLC ± -	ANGLES ± -	APPLICATION SPEC	
MATERIAL: SEE TABLE	FINISH: SEE TABLE	SIZE: A1	RESTRICTED TO: -
CUSTOMER DRAWING		SCALE: 3:2	SHEET 1 OF 2 REV F



THIS DRAWING IS A CONTROLLED DOCUMENT.		DIN C.C.THOMAS 9-6-04	Tyco Electronics Tyco Electronics Corporation Harrisburg, Pa 17105-3608
DIMENSIONS: INCHES [mm]		CHK K.HOGAN 9-6-04	
TOLERANCES UNLESS OTHERWISE SPECIFIED:		APVD K.HOGAN 9-6-04	NAME
0 PLC ± -			RCPT ASSY, SIZE 2, ARINC 600 (C2/71C1/13C2)
1 PLC ± -			APPLICATION SPEC
2 PLC ± -			SIZE CAGE CODE DRAWING NO
3 PLC ± .005 [0.13]			A1 00779 C=1757321
4 PLC ± -			RESTRICTED TO
ANGLES ± -			
MATERIAL SEE TABLE	FINISH SEE TABLE	WEIGHT	CUSTOMER DRAWING
		SCALE 3:2	SHEET 2 OF 2
		REV F	