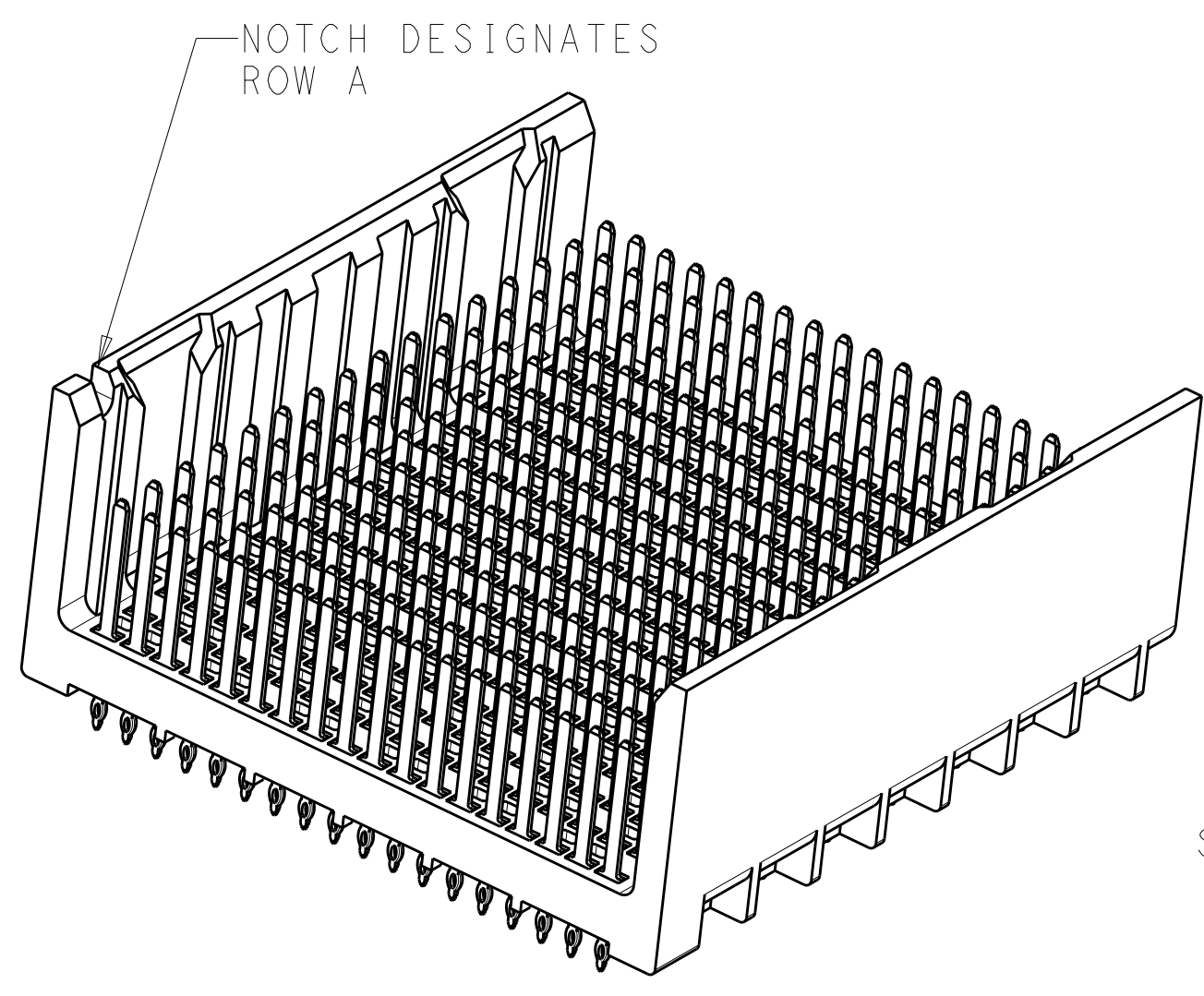
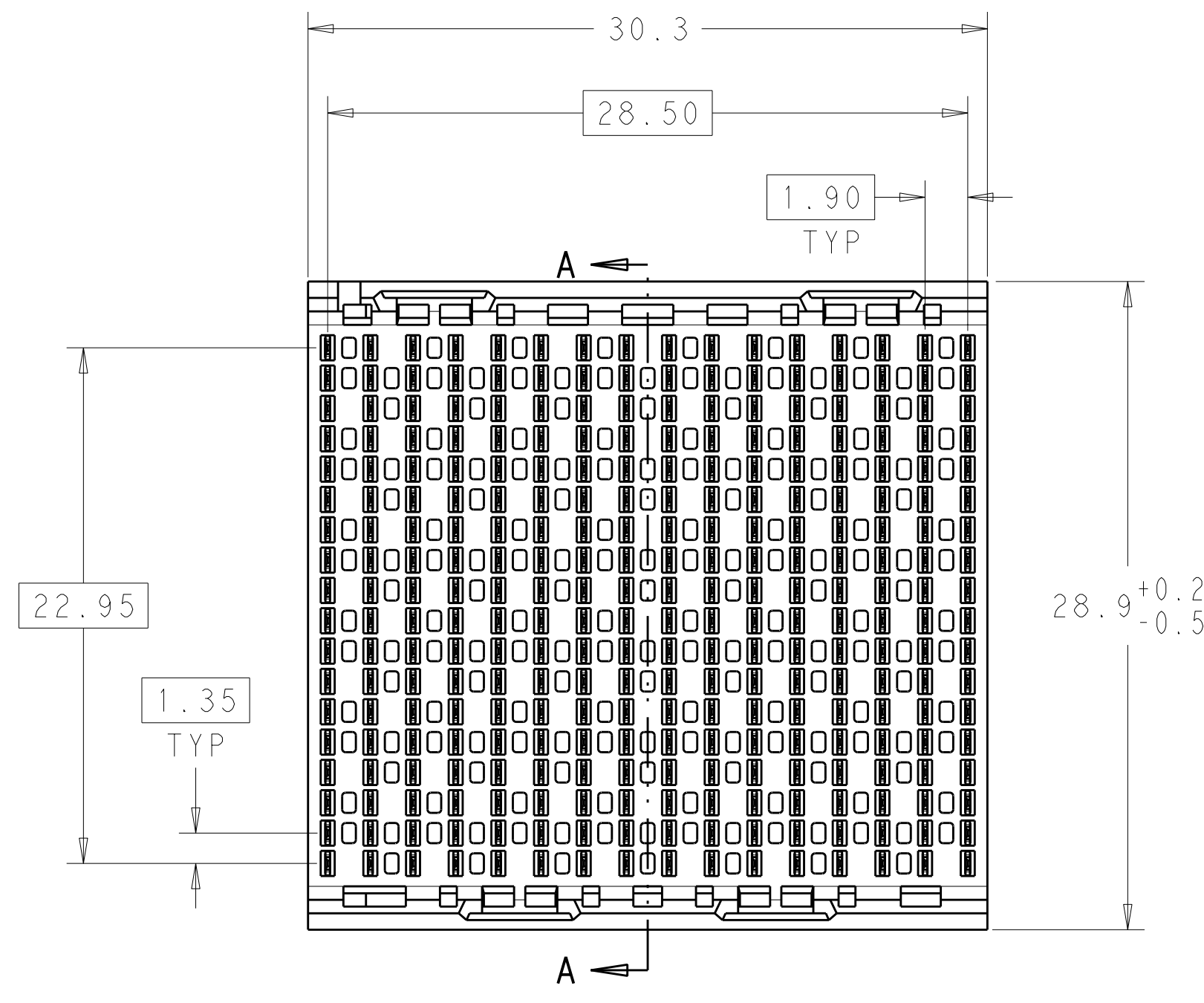
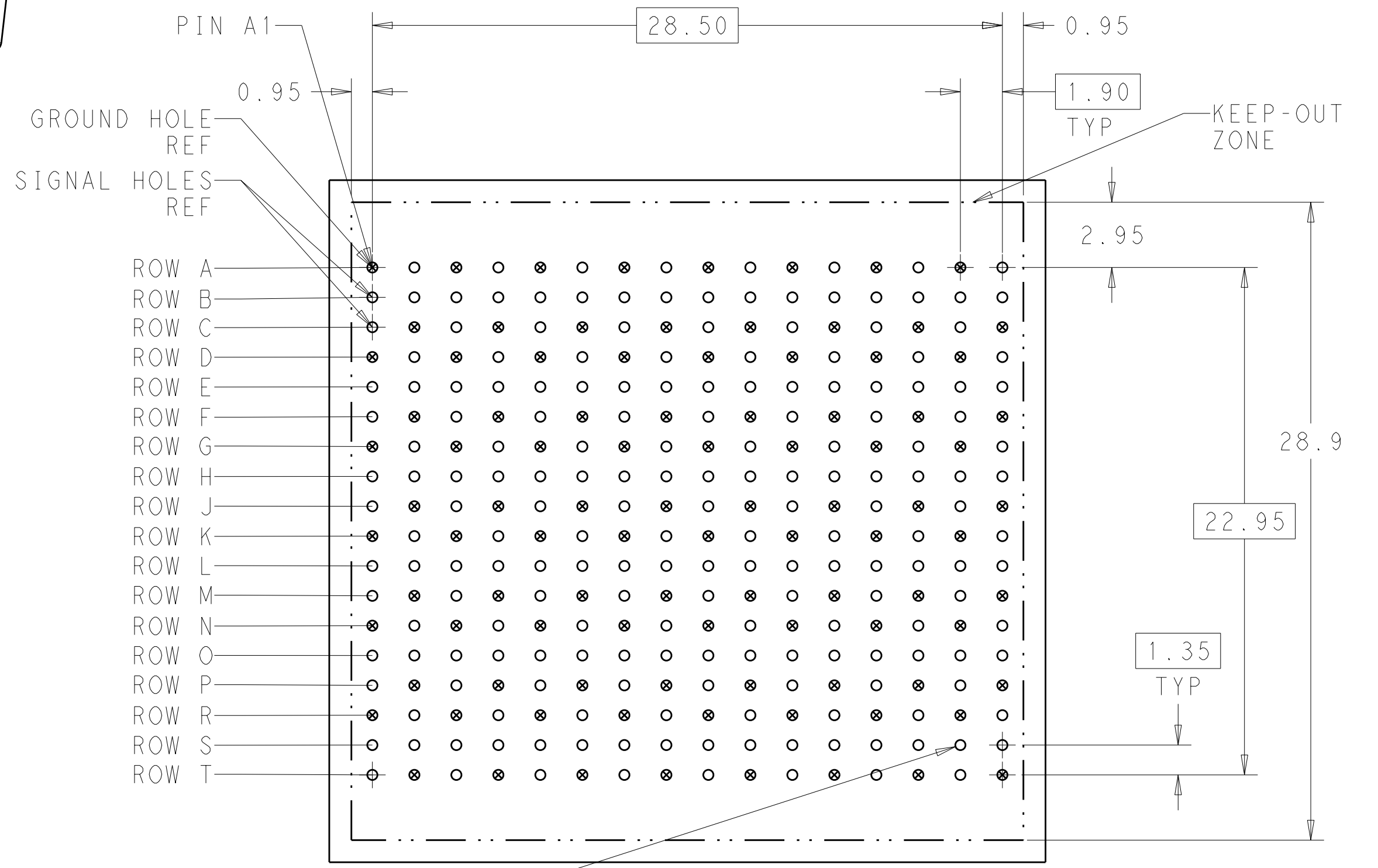


LOC	DIST	REV	DATE	BY	APPD
AD	00	A	02MAY2011	RKC	JE

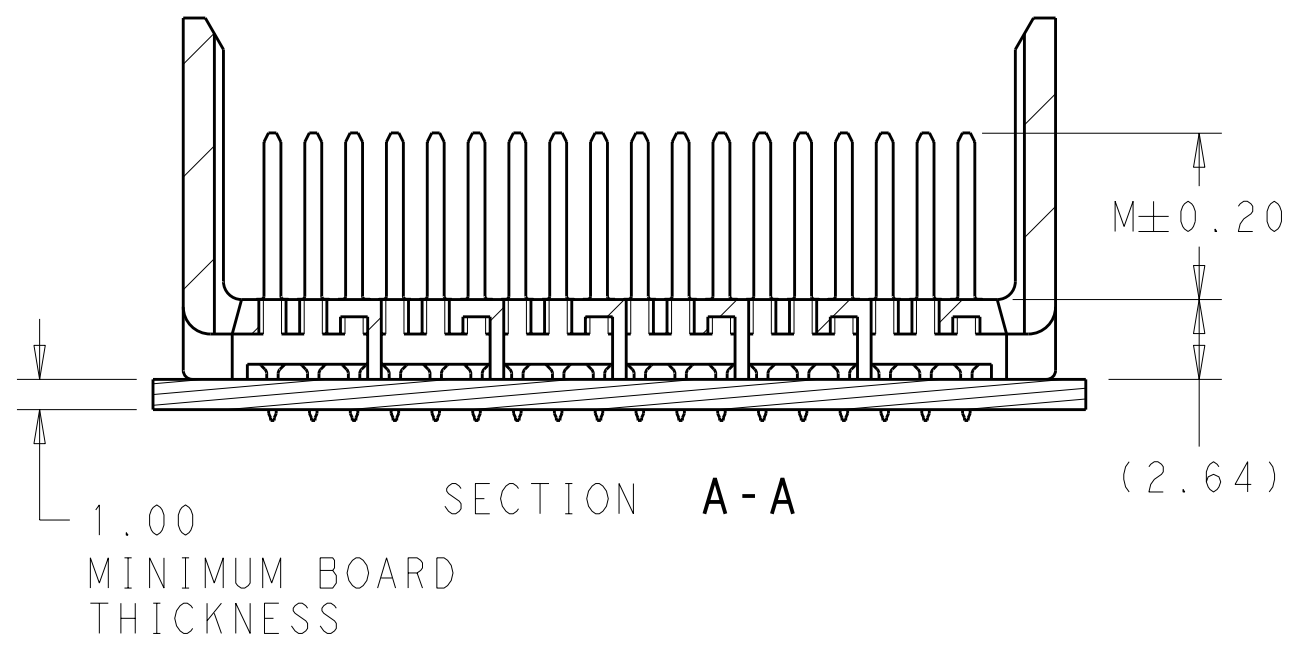
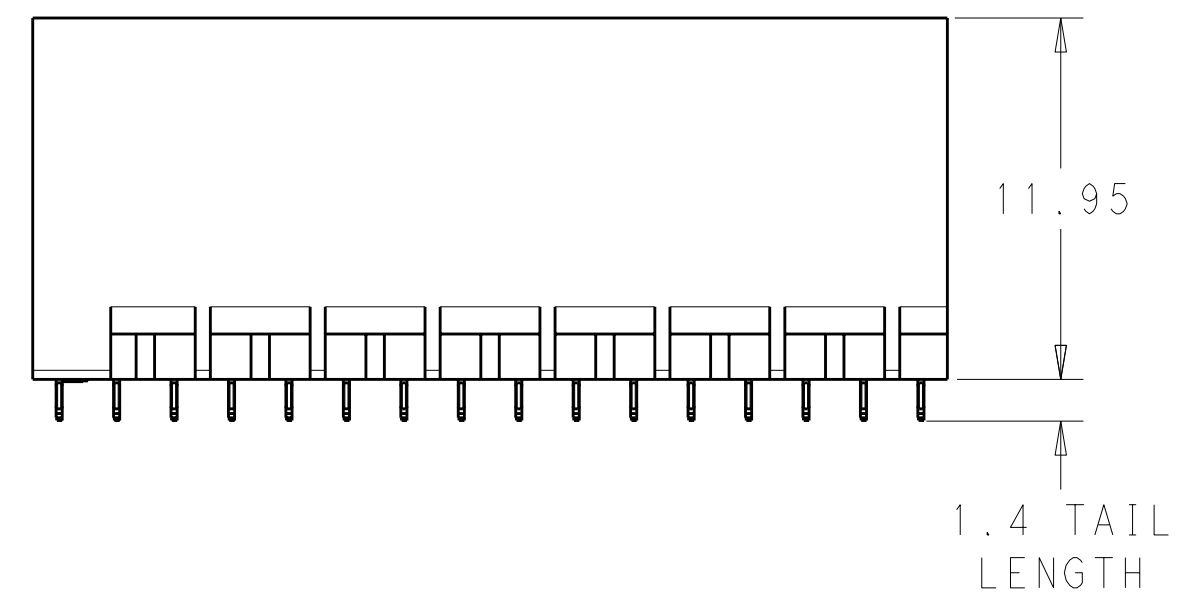


- 1 MATERIAL:
HOUSING: LCP, GLASS FILLED, UL94V-0.
TERMINALS: HIGH PERFORMANCE COPPER ALLOY.
- 2 FINISH:
30µ" MIN GOLD IN CONTACT AREA. SELECTIVE TIN
ON PCB TAILS, NICKEL OVERALL.
- 3 FINISH:
30µ" MIN GOLD IN CONTACT AREA. SELECTIVE TIN-LEAD
ON PCB TAILS, NICKEL OVERALL.



288X $\varnothing 0.46 \pm 0.05$
 $\varnothing 0.10$
 PLATED THRU HOLE

UNGUIDED
 BACKPLANE HOLE PATTERN
 (CONNECTOR SIDE)




THIS DRAWING IS A CONTROLLED DOCUMENT.		DWN R. COELLO 02MAY2011	TE Connectivity
DIMENSIONS: mm		CHK J. EARY 02MAY2011	
TOLERANCES UNLESS OTHERWISE SPECIFIED:		APVD J. EARY 02MAY2011	NAME: IMPACT, 6 PAIR, 16 COLUMN, HEADER UNGUIDED, OPEN END WALL SIGNAL MODULE, 0.46 PTH
0 PLC ± 1 PLC ±0.25 2 PLC ±0.13 3 PLC ± 4 PLC ± ANGLES ±	FINISH: SEE TABLE	PRODUCT SPEC: -	SIZE: CAGE CODE: DRAWING NO: A100779C=2007896
MATERIAL:		APPLICATION SPEC: -	RESTRICTED TO: -
CUSTOMER DRAWING		WEIGHT: -	SCALE: 4:1 SHEET 1 OF 2 REV A

THIS DRAWING IS UNPUBLISHED. RELEASED FOR PUBLICATION 20
 BY: ALL RIGHTS RESERVED.

LOC	DIST	REVISIONS			
		REV	DATE	BY	APPD
AD	00	-	-	-	-
		-	-	-	-
		-	-	-	-
		-	-	-	-

FINISH	DIM M	PART NUMBER
\triangle_3	5.5	2007896-6
\triangle_3	4.9	2007896-5
\triangle_3	4.5	2007896-4
\triangle_2	5.5	2007896-3
\triangle_2	4.9	2007896-2
\triangle_2	4.5	2007896-1

REFER TO WWW.TE.COM
FOR PRODUCT AVAILABILITY

THIS DRAWING IS A CONTROLLED DOCUMENT.		DWN R. COELLO 02MAY2011 CHK J. EABY 02MAY2011 APVD J. EABY 02MAY2011	 TE Connectivity	
DIMENSIONS: mm	TOLERANCES UNLESS OTHERWISE SPECIFIED: 9 PLC ± 7 PLC ±0.25 5 PLC ±0.13 4 PLC ± ANGLES ± FINISH SEE TABLE	PRODUCT SPEC APPLICATION SPEC WEIGHT CUSTOMER DRAWING	NAME IMPACT, 6 PAIR, 16 COLUMN, HEADER UNGUIDED, OPEN END WALL SIGNAL MODULE, 0.46 PTH	RESTRICTED TO A100779C=2007896
SCALE 5:1			SHEET 2 OF 2	REV A