

MATERIALS AND FINISHES

BODY: BERYLLIUM COPPER
 PLATED GOLD (50μ-in MIN)
 OVER NICKEL (50μ-in MIN)

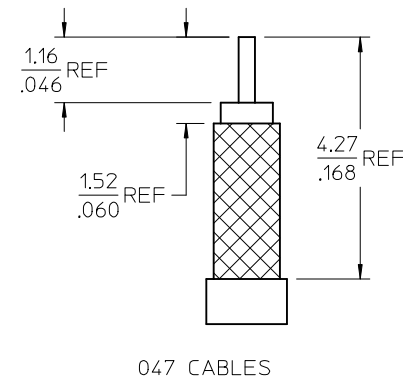
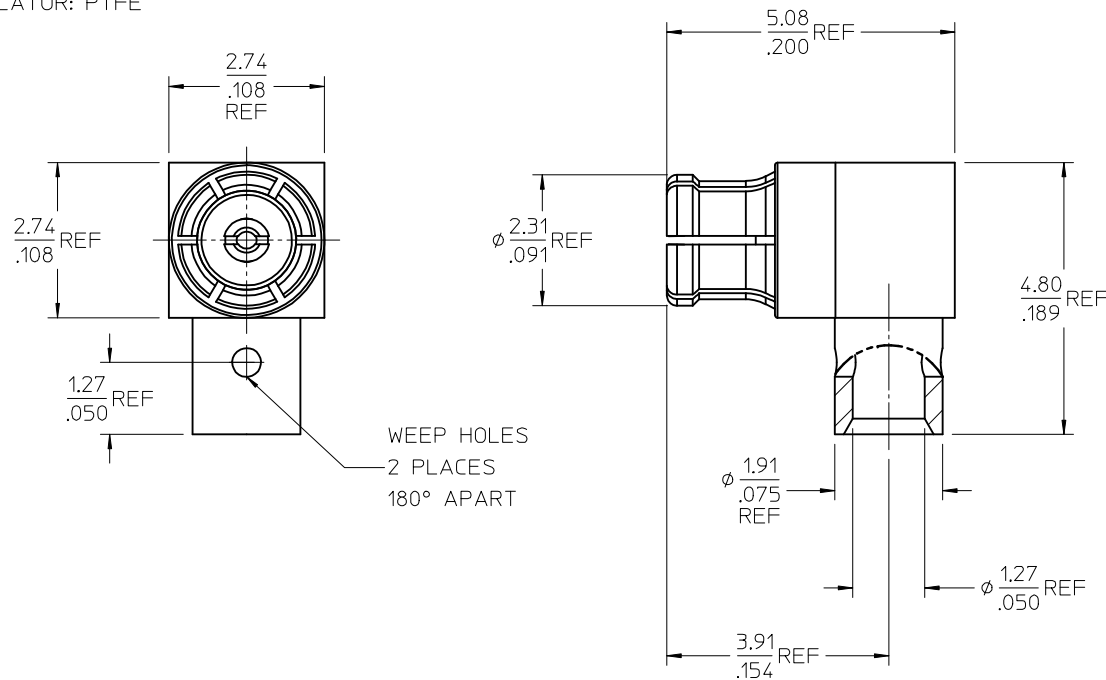
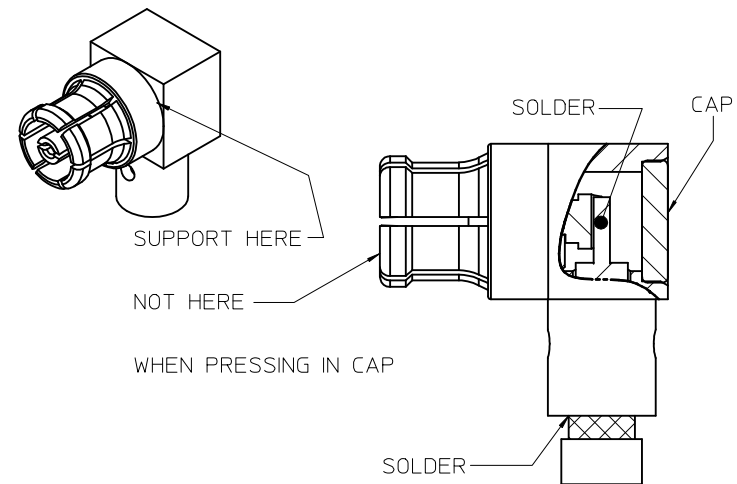
CONTACT: BERYLLIUM COPPER
 PLATED GOLD (50μ-in MIN)
 OVER NICKEL (100μ-in MIN)

CAP: BRASS
 PLATED GOLD (30μ-in MIN)
 OVER NICKEL (100μ-in MIN)

INSULATOR: PTFE

ELECTRICAL

V.S.W.R: 1.30 MAX < 18 GHz
 1.50 MAX 18.0 - 26.5 GHz



73300-0160	TRAY
PART NO.	PACKAGING

PS-89675-3730	PRODUCT SPECIFICATION
MIL-STD-348A, FIG. 328.1	INTERFACE
SPECIFICATION	DESCRIPTION

CHG: ADDED ELECTRICAL SPEC. EC NO: URF2016-0484 DRW: BSHAH 2016/01/25 CHK: SSS 2016/01/25 APPR: AROBERTSON 2016/02/01	QUALITY SYMBOLS
	∇=0 ∇=0 ∇=0
	DESCRIPTION
	REV

GENERAL TOLERANCES (UNLESS SPECIFIED)																		
<table border="1"> <tr> <th></th> <th>mm</th> <th>INCH</th> </tr> <tr> <td>4 PLACES</td> <td>± .005</td> <td>± .0002</td> </tr> <tr> <td>3 PLACES</td> <td>± .002</td> <td>± 0.010</td> </tr> <tr> <td>2 PLACES</td> <td>± 0.25</td> <td>± .010</td> </tr> <tr> <td>1 PLACE</td> <td>± .005</td> <td>± .0002</td> </tr> <tr> <td>0 PLACE</td> <td>± .005</td> <td>± .0002</td> </tr> </table>		mm	INCH	4 PLACES	± .005	± .0002	3 PLACES	± .002	± 0.010	2 PLACES	± 0.25	± .010	1 PLACE	± .005	± .0002	0 PLACE	± .005	± .0002
	mm	INCH																
4 PLACES	± .005	± .0002																
3 PLACES	± .002	± 0.010																
2 PLACES	± 0.25	± .010																
1 PLACE	± .005	± .0002																
0 PLACE	± .005	± .0002																
ANGULAR ± 2°																		
DRAFT WHERE APPLICABLE MUST REMAIN WITHIN DIMENSIONS																		

DIMENSION STYLE	MM/IN
DRAWN BY	JLEE02
DATE	2013/06/24
CHECKED BY	SSS
DATE	2013/06/24
APPROVED BY	JWIENER
DATE	2013/07/23
MATERIAL NO.	SEE TABLE
SIZE	C

SCALE	DESIGN UNITS	THIRD ANGLE PROJECTION
	INCH	
TITLE		
SMPM J RA 047 CABLES		
SOLID CORE CABLE		
EWR-5181, SMPM-JC		
molex		
DOCUMENT NO.	SD-73300-016	SHEET NO.
		1 OF 1
THIS DRAWING CONTAINS INFORMATION THAT IS PROPRIETARY TO MOLEX INCORPORATED AND SHOULD NOT BE USED WITHOUT WRITTEN PERMISSION		