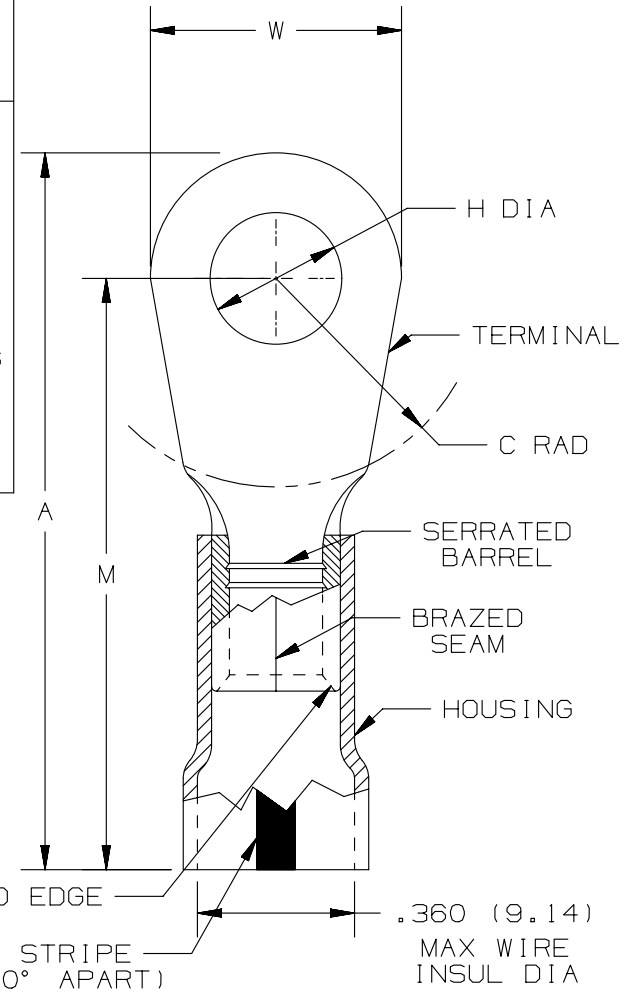


THIS COPY IS PROVIDED ON A RESTRICTED BASIS AND IS NOT TO BE USED IN ANY WAY DETRIMENTAL TO THE INTERESTS OF PANDUIT CORP.

PANDUIT PART NUMBER	STUD SIZE	DIMENSIONS - IN.					TOOL
		A±.03	W±.01	C±.02	M±.03	H±.01	
PK6-8R	#8	1.59 (40.39)	.47 (11.94)	.43 (10.92)	1.36 (34.54)	.18 (4.57)	CT-2600 WITH DIE #  CD-2600-PV6
PK6-10R	#10	1.60 (40.64)	.47 (11.94)	.43 (10.92)	1.36 (34.54)	.20 (5.08)	
PK6-14R	1/4"	1.63 (41.40)	.47 (11.94)	.48 (12.19)	1.36 (34.54)	.27 (6.86)	
PK6-56R	5/16"	1.72 (43.69)	.62 (15.75)	.53 (13.46)	1.42 (36.07)	.33 (8.38)	
PK6-38R	3/8"	1.72 (43.69)	.62 (15.75)	.51 (12.95)	1.42 (36.07)	.40 (10.16)	
PK6-12R	1/2"	1.82 (46.23)	.82 (20.83)	.51 (12.95)	1.42 (36.07)	.52 (13.21)	



NOTES:

- RATED FOR:  
A. #6 AWG STRANDED COPPER WIRE
- SEE [www.panduit.com](http://www.panduit.com) FOR PART NUMBER SUFFIX DESIGNATION FOR PACKAGE SIZE.
- MATERIAL:  
A. STAMPING - .045" (1.14) THK COPPER, TIN PLATED  
B. HOUSING - KYNAR, BLUE STRIPE
- DIMENSIONS IN BRACKETS ARE IN MILLIMETERS
- WIRE STRIP LENGTH: 7/16" +1/32" (11.1 +0.8)  
-0 -0.0



LISTED  
587H  
E52164

BLUE COLOR STRIPE  
(3 PLCS @ 120° APART)

TITLE		#6 BARREL KYNAR INSULATED RING TONGUE .360 (9.14) MAX. WIRE INSUL. DIAMETER	
CUSTOMER DRAWING			
ITEM REVISION NAME	N41715BA/04		
DATASET FILE NAME	N41715BA/04		
UNLESS OTHERWISE SPECIFIED, DIMENSIONAL TOLERANCES ARE: IN (mm)		MATERIAL:  SEE NOTES	
.X ±	.XXX ±	DRAWING NUMBER: A41715	
.XX ±	ANGLES ±	THIRD ANGLE PROJECTION	
REV	DATE	BY	CHK
JHNU	2/05	LCA	N/A
ECN	SCALE	SHT 1 OF 1	
		A	

D10100DA/16