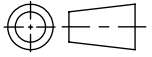
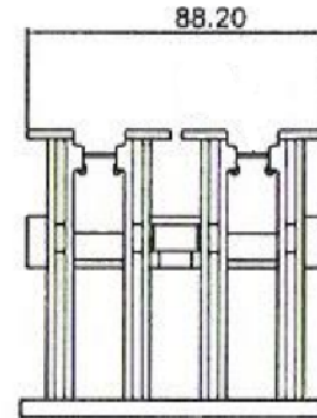
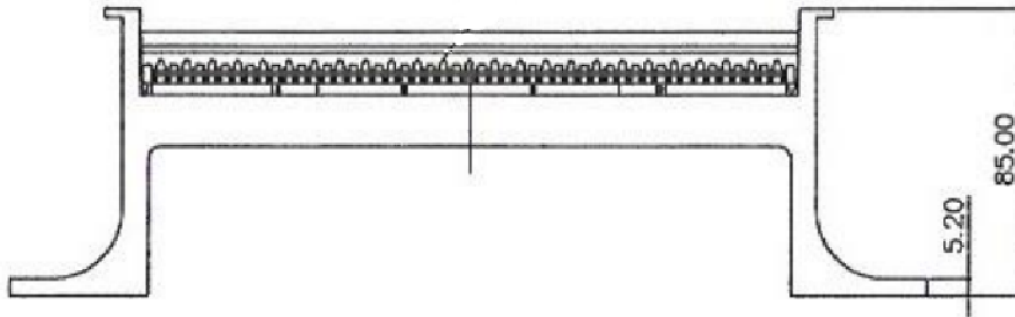
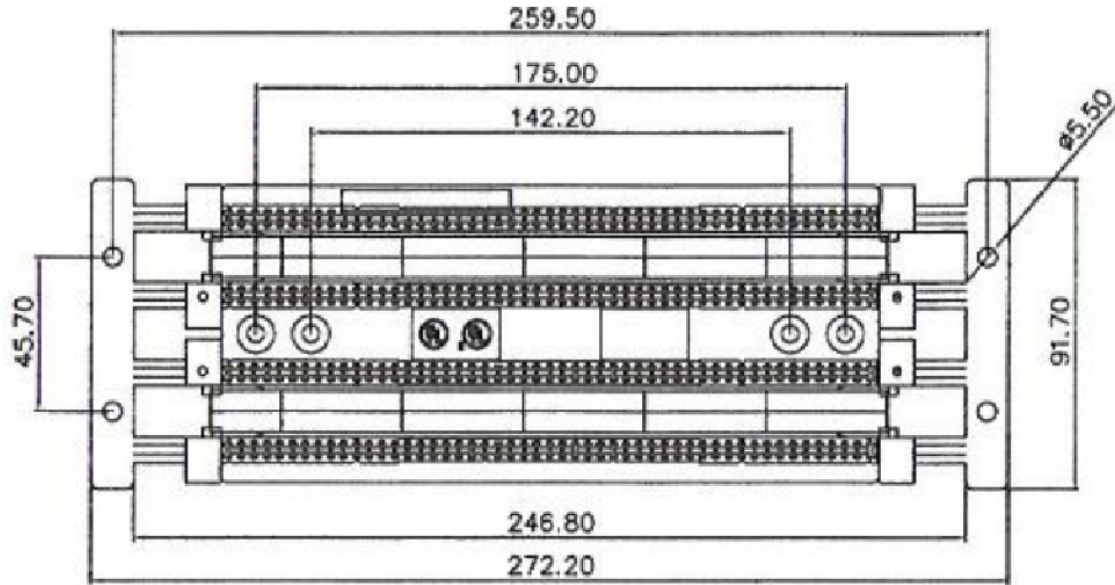


SW2014



Revision level			Revision Record	Changed	Date	Approved	Date
Drawing	State	Part					
00.0	In Work		SEE ECN# 013172	SNH	6/29/2015	KAC	6/29/2015



Material	Units: inches
	Dimension without tolerances details to: .xxxx = ±.0005 .xxx = ±.005 .xx = ±.01 .x = ±.03 None = ±.06 ∠ = ±0.5° Dimension Formatted in/[mm]

The copyright of this drawing is reserved by HellermannTyton. It is issued on condition that it is not reproduced, copied, or disclosed to a third party, either wholly or in part, without the consent of HellermannTyton.

Drawn	SNH	6/29/2015
Approved	KAC	6/29/2015

HellermannTyton
 North America
 Email: corp@htamericas.com
 Web: www.hellermann.tyton.com

Article/Type-No	T110KIT1004	Scale	1:1
Title	CATEGORY 5e 100 PAIR WITH 4 PAIR CLIPS, INSTALLATION KIT	Project Number	PRP 15-0375
Drawing-No	: Phase	Format	AH
15-0375-004-CSU		Sheet	1/1