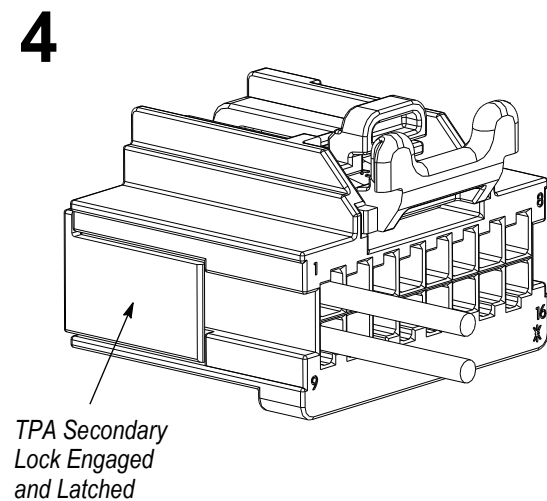
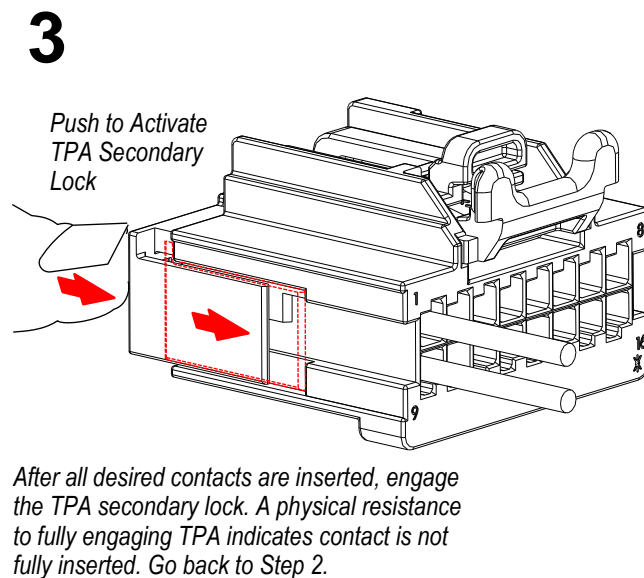
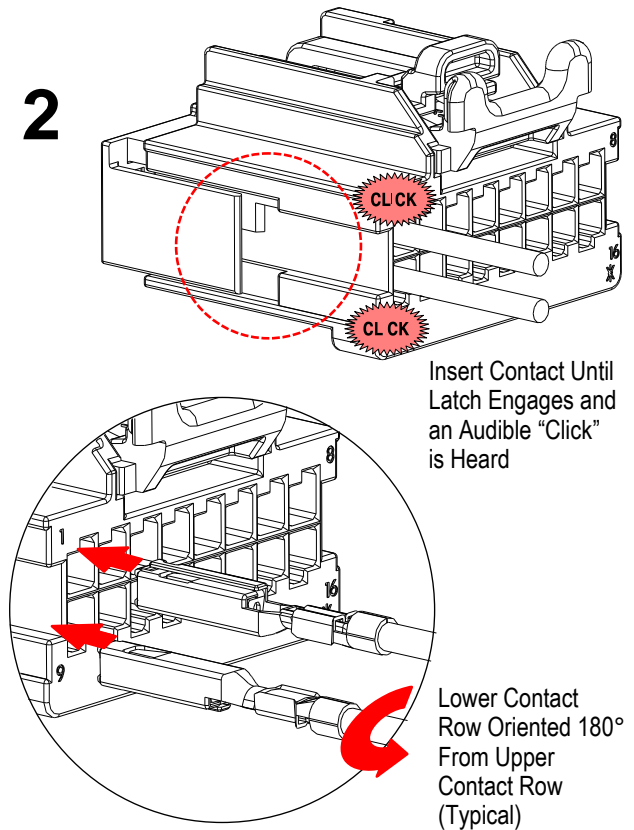
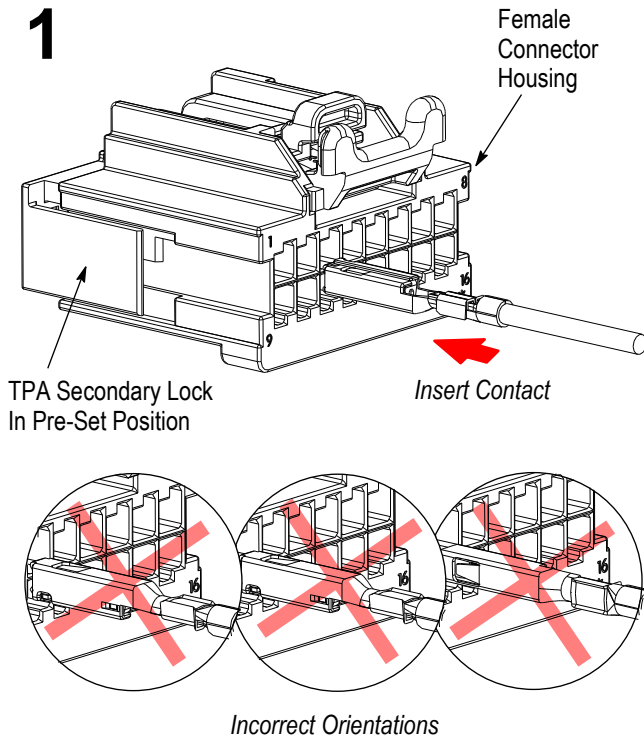
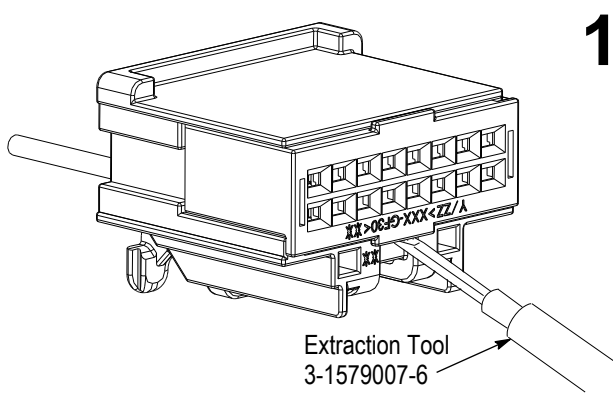


Contact Assembly Instructions



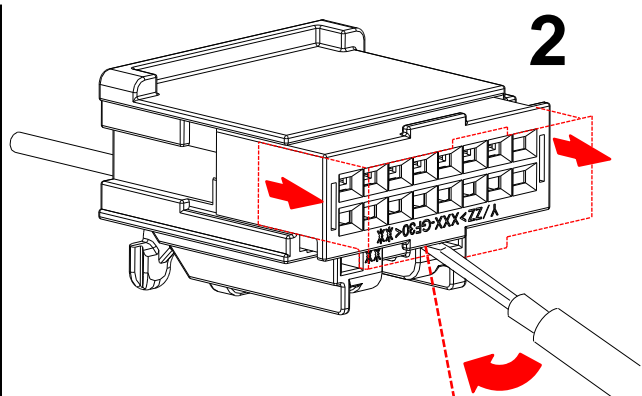
NOTE: This document is representative of all connector positions in this product family.

Contact Disassembly Instructions (Use Extraction Tool 3-1579007-6)

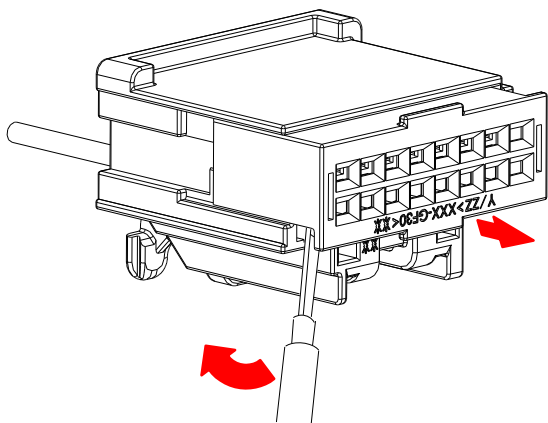


Extraction Tool
3-1579007-6

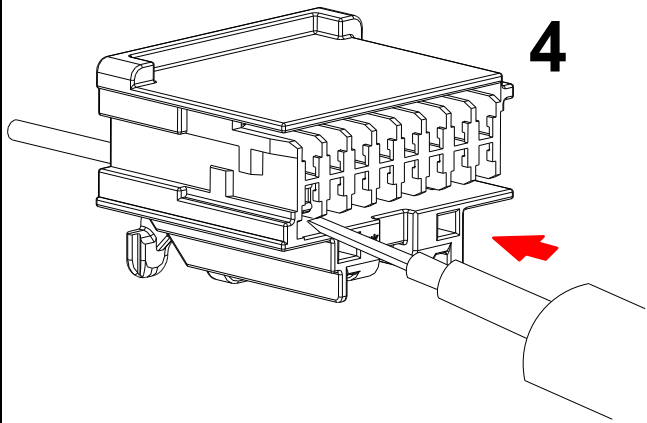
Place Extraction Tool 3-1579007-6 in gap between housing and behind tab on TPA.



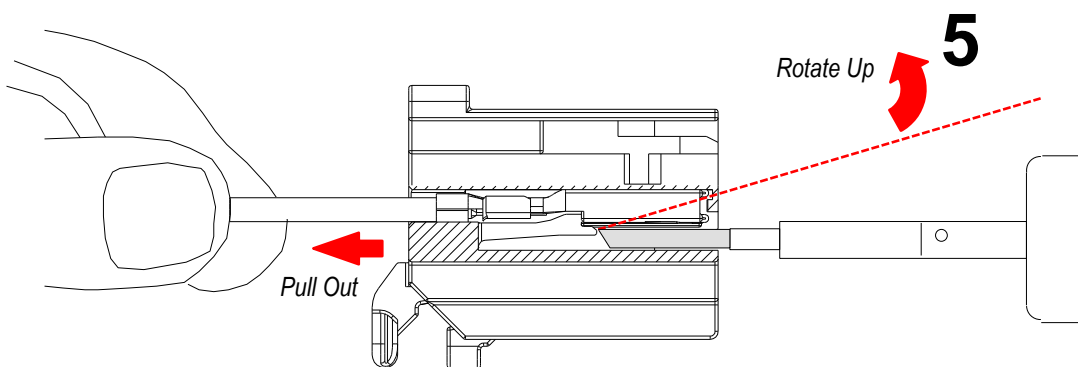
Rotate extraction tool toward connector housing to "pop" TPA into pre-latched position (disengaged).



Place extraction tool tip in gap between housing and TPA pulling corners forward, individually to disengage side latches.



Place extraction tool under contact with sharp edge of wedge next to the contact.



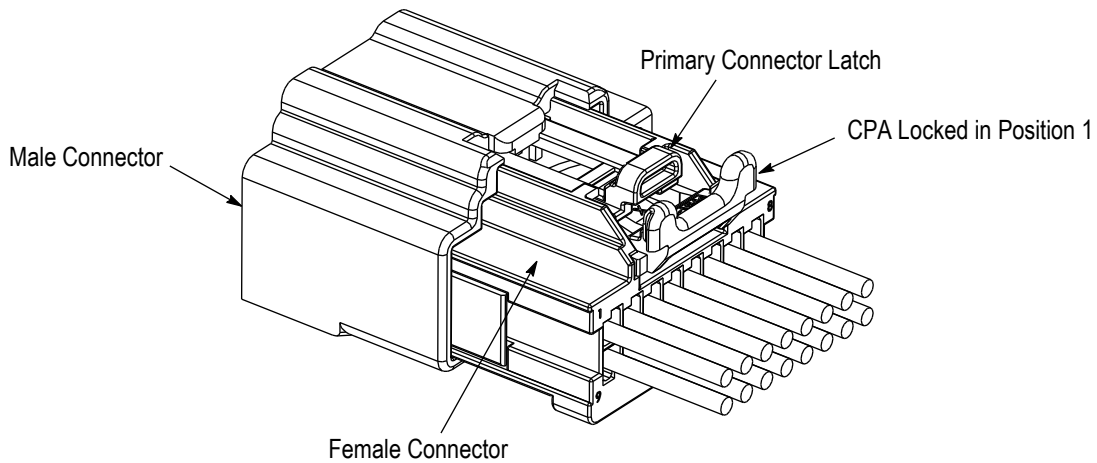
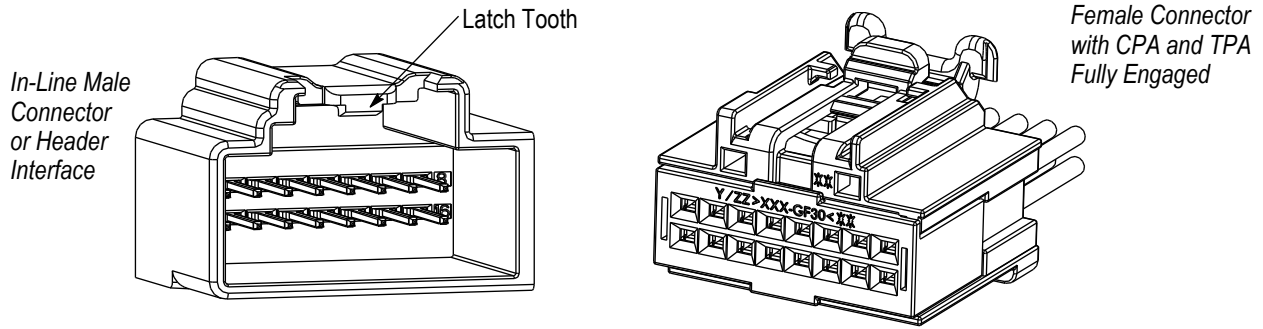
Gently press tool toward the contact latching beam while simultaneously pulling out on wire.



CAUTION

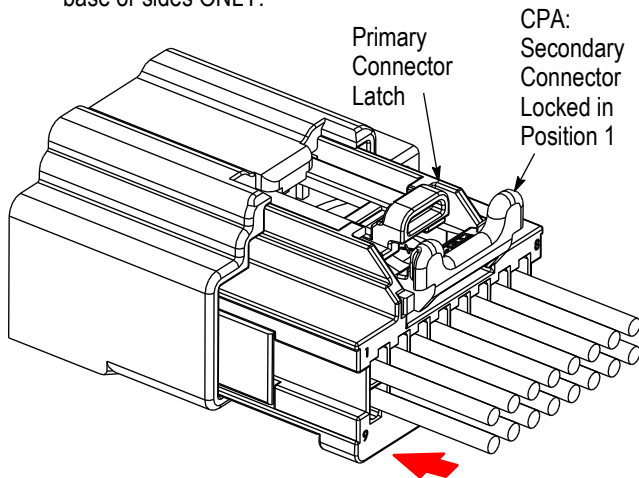
DO NOT re-use damaged or worn contacts. Instead, replace them with new contacts and discard the old ones

Mating Instructions – with CPA



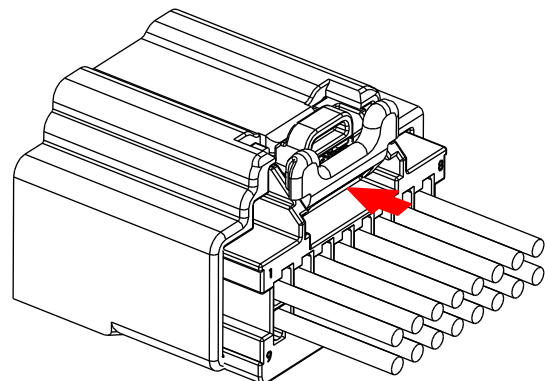
CPA is locked in Position 1 for shipping and handling before engaging the primary connector latch. CPA can not move forward or backward until the connectors are mated and the primary connector latch “clicks” and engages the interface latch tooth.

1 To MATE Connector: PUSH on housing base or sides **ONLY**.



Do not push CPA forward until primary connector latch “clicks” and engages the interface latch tooth. Repeat - be redundant.

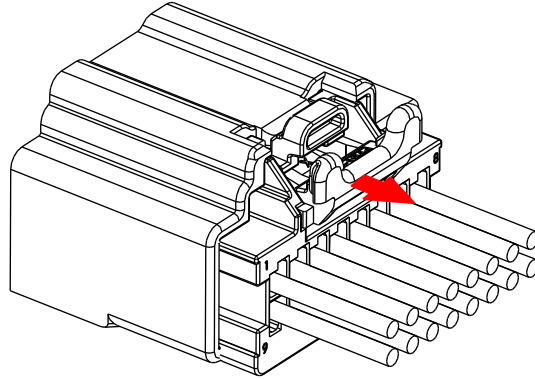
2 To LOCK CPA After Connector Mate: PUSH CPA forward until an audible “click” is heard.



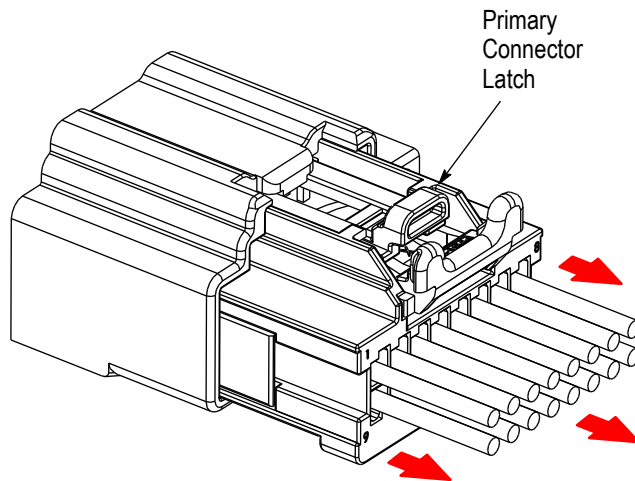
Finally, push CPA forward to engage secondary lock and ensure proper CPA locking.

Unmating Instructions - with CPA

1 To UNMATE CPA: Lightly PULL CPA back to Position 1 (pre-installed position) until an audible “click” is heard.



2 To UNMATE Connector: With CPA in Position 1, DEPRESS Primary Connector Latch, then simultaneously pull connector/wires while gripping the housing with thumb, index finger, and palm (wire bundle).



REVISION SUMMARY

Revisions to this instruction include:

- Updated document to corporate requirements
- New logo