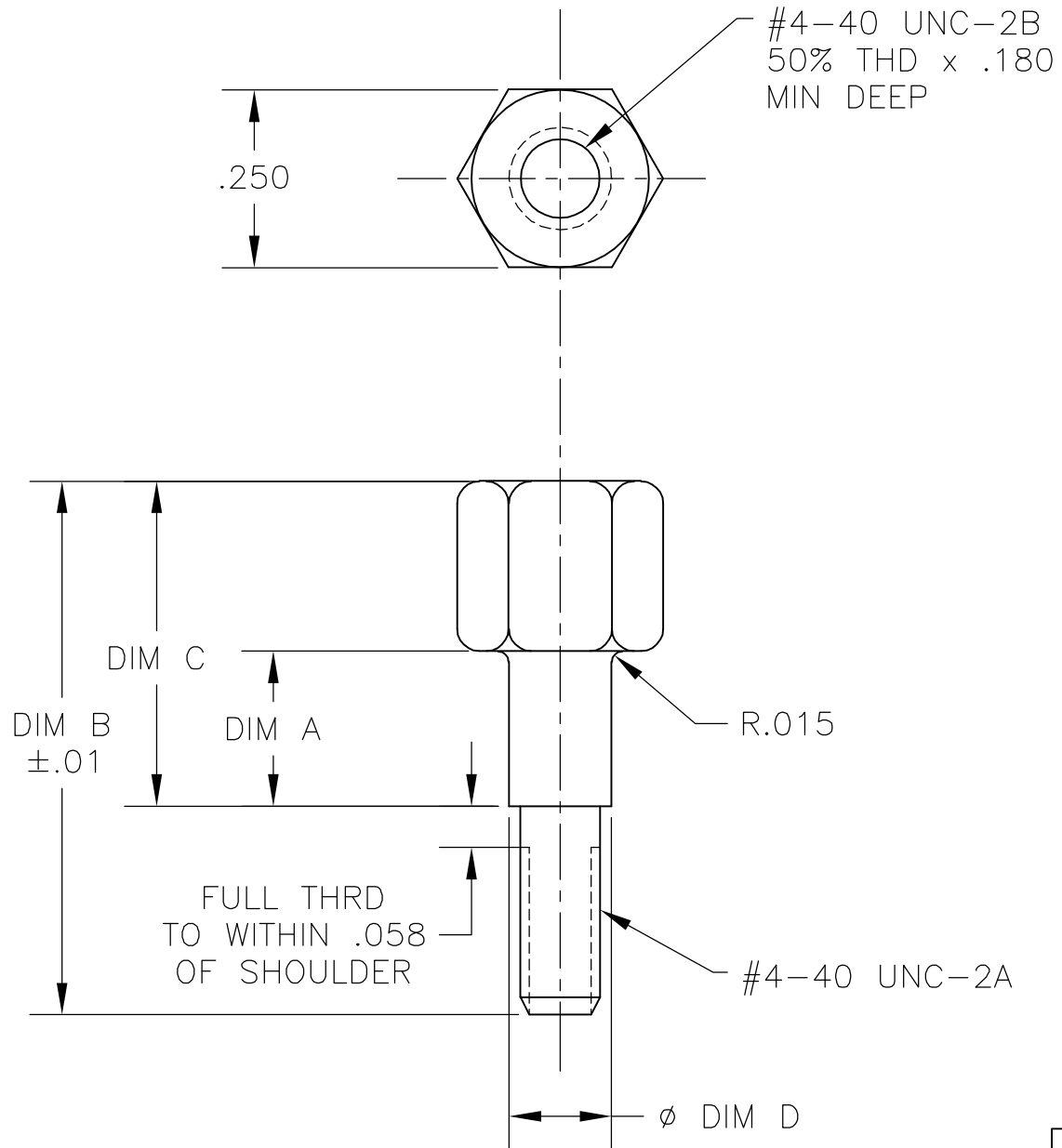


THIS DRAWING IS UNPUBLISHED. RELEASED FOR PUBLICATION  
 © COPYRIGHT 2005 BY TYCO ELECTRONICS CORPORATION. ALL RIGHTS RESERVED.

LOC	DIST	REVISIONS					
GP	00	P	LTR	DESCRIPTION	DATE	DWN	APVD
			0	RELEASED PER EC OS13-0288-05	05OCT05	GP	JG



1 MATERIAL: CARBON STEEL, ZINC PLATE WITH YELLOW TRIVALENT CHROMATE.

.138-.144	.347	.64	.108	5229995-2
.138-.144	.457	.75	.218	5229995-1
$\phi$ DIM D	DIM C	DIM B	DIM A	PART NO.

THIS DRAWING IS A CONTROLLED DOCUMENT.		DWN	G.PETERS	05OCT05	Tyco Electronics Corporation Harrisburg, Pa 17105-3608		
DIMENSIONS: INCHES		CHK	W.MILLHIMES	05OCT05			
TOLERANCES UNLESS OTHERWISE SPECIFIED:		APVD	M.WALMSLEY	05OCT05	NAME		
0 PLC $\pm -$ 1 PLC $\pm -$ 2 PLC $\pm -$ 3 PLC $\pm .005$ 4 PLC $\pm -$ ANGLES $\pm -$		PRODUCT SPEC		STAND-OFF, SUTD, MTG			
MATERIAL		FINISH		APPLICATION SPEC		RESTRICTED TO	
1		1		WEIGHT		-	
CUSTOMER DRAWING				SIZE	A3	CAGE CODE	00779
				DRAWING NO	G-5229995		REV
				SCALE	4:1	SHEET	1 OF 1
						REV	0