

5

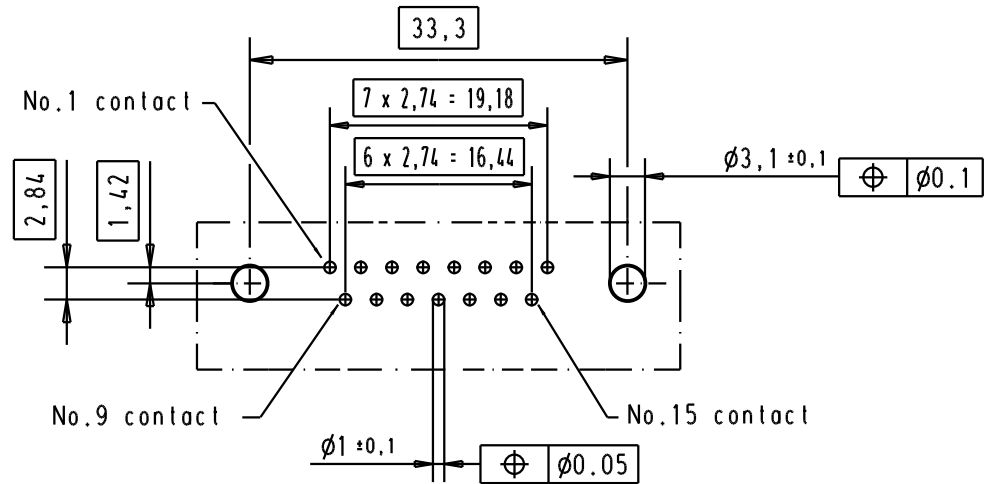
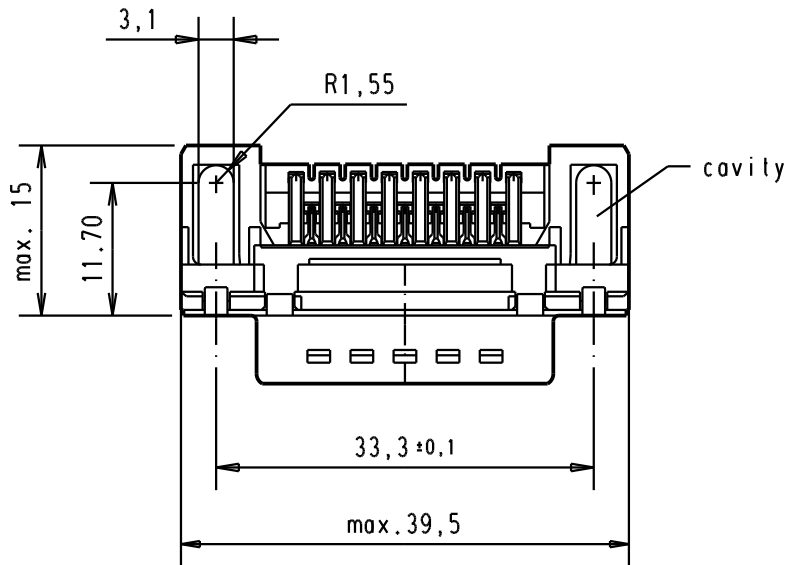
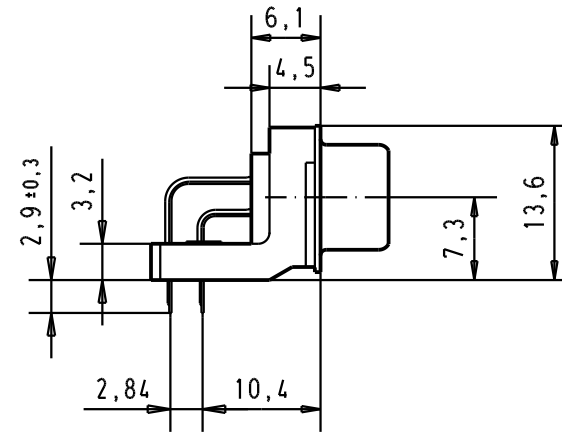
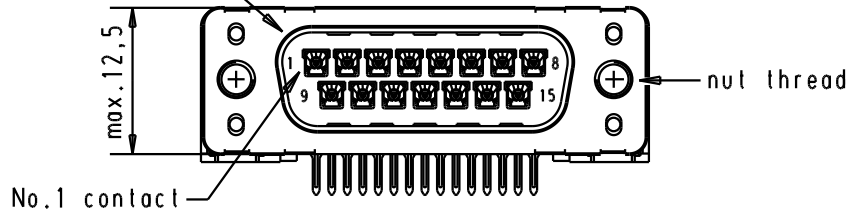
4

3

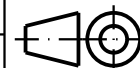
2

1

Mating face according to : MIL-C-24308 / DIN 41652 / CECC 75301-802



A	09 65 223 3801	M3	1											
	09 65 223 6801	M3	2				Detail.	13/dec/00	ALSPACE					
	09 65 223 7801	M3	3	31892	22/04/04	JH	Insp.							
	09 65 223 3802	4-40 UNC	1	29773	18-APR-02	CV	Stand.							
	09 65 223 6802	4-40 UNC	2	29689	02/07/01	AA								
	09 65 223 7802	4-40 UNC	3	27960	13/dec/00	ALSPACE								
	Part number	Nut thread	Performance level	Mod.	Dat.	Name	HARTING EURL F-95972 Paris							



All Dim. in mm  
Orig. Size DIN A 4



D-Sub, male, Standard angle,  
15 poles, with solder pin,  
nut and hole

TB 0965223x80x

Sub.

Maßstab/  
Scale  
1.5:1

Blatt/ Page  
2