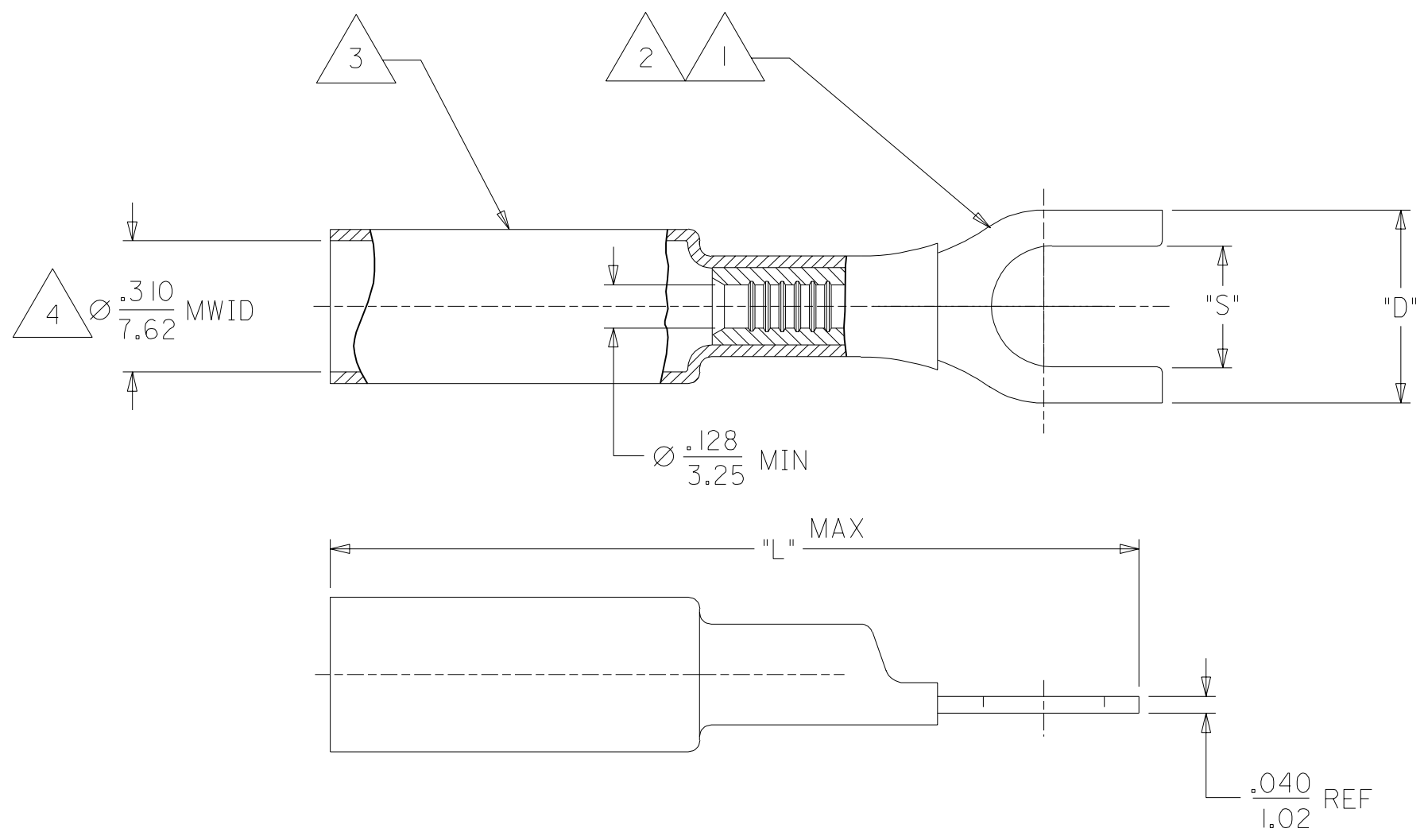


MATERIAL NUMBER	ENGINEERING NUMBER	STUD SIZE	SLOT "S" $\frac{\pm 0.10}{\pm 0.25}$	"D" MAX	"L" MAX
191640069	SC-241-06	#6	.146/3.71	.39/9.9	1.39/35.3
191640070	SC-241-08	#8	.173/4.39	.39/9.9	1.39/35.3
191640072	SC-268-10	#10	.198/5.03	.54/13.7	1.57/39.9
191640073	SC-268-14	1/4	.265/6.73	.54/13.7	1.57/39.9



NOTES:

- 1. TERMINAL MATERIAL: COPPER ALLOY
- 2. FINISH: ELECTRO TIN PLATE.
- 3. INSULATION MATERIAL: HEAT SHRINKABLE TUBING WITH HOTMELT ADHESIVE INNER LINER. COLOR: YELLOW
- 4. MWID = MAXIMUM WIRE INSULATION DIAMETER.

SALES DRAWING

NEW RELEASE EC NO. ETC2003-0079 DRWN: BRE 02/12/19 CHK: HEB 02/12/19 APPR: RWD 02/12/19	DESCRIPTION REV A	QUALITY SYMBOLS MAJOR $\blacktriangledown = 0$ CRITICAL $\blacktriangle = 0$	GENERAL TOLERANCES: (UNLESS SPECIFIED)	SCALE NO: NE DESIGN UNITS <input type="checkbox"/> mm <input checked="" type="checkbox"/> INCH	THIRD ANGLE PROJECTION <input type="checkbox"/> mm <input checked="" type="checkbox"/> INCH <input type="checkbox"/> mm ONLY	DIMENSIONS: <input type="checkbox"/> mm <input checked="" type="checkbox"/> INCH <input type="checkbox"/> mm ONLY	SHT REV
		DRAWN BY & DATE BRE 02/08/20	TITLE: SPADE TERMINAL PERMA-SEAL 10-12 AWG		MOLEX INCORPORATED		SHEET NO. 1 OF 1
		CHECKED BY & DATE HEB 02/08/20	APPROVED BY & DATE RWD 02/08/20		CAD FILENAME SD-19164-048.DGN	MATERIAL NO. SEE CHART	DRAWING NO. SD-19164-048
		DRAFT WHERE APPLICABLE MUST REMAIN WITHIN DIMENSIONS			THIS DRAWING CONTAINS INFORMATION THAT IS PROPRIETARY TO MOLEX INCORPORATED AND SHOULD NOT BE USED WITHOUT WRITTEN PERMISSION.		