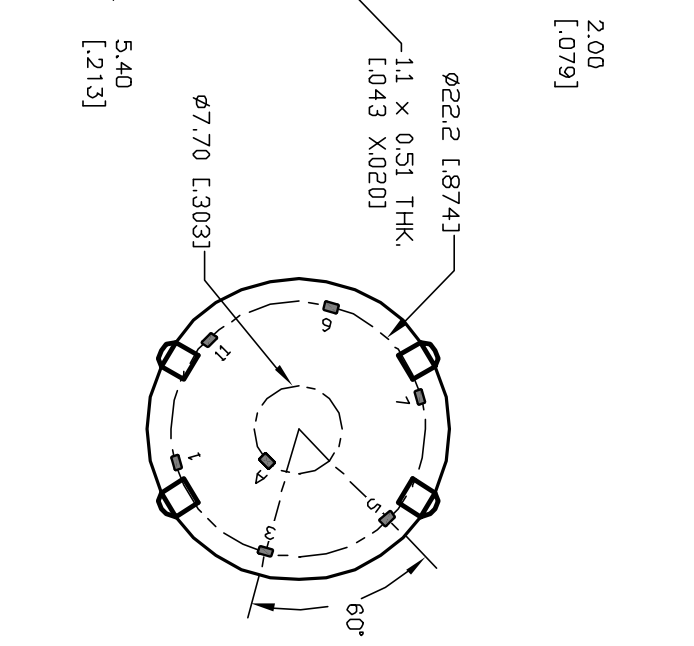
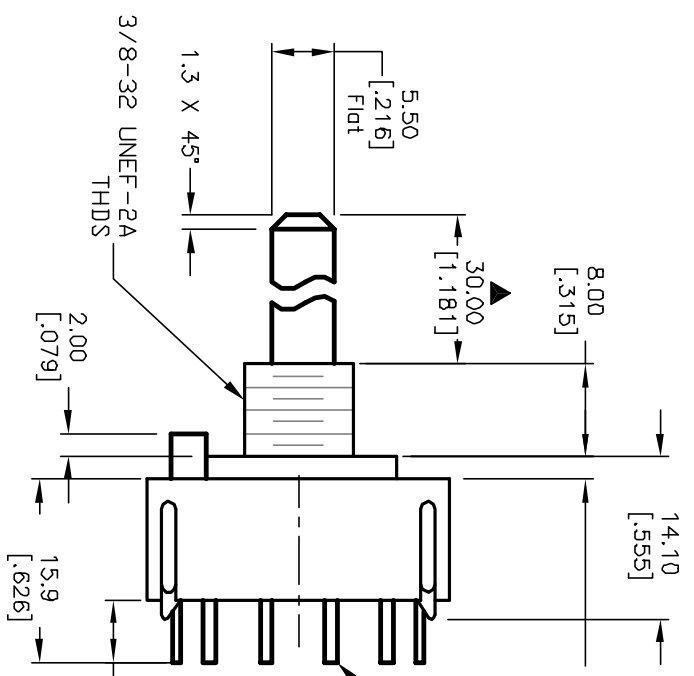
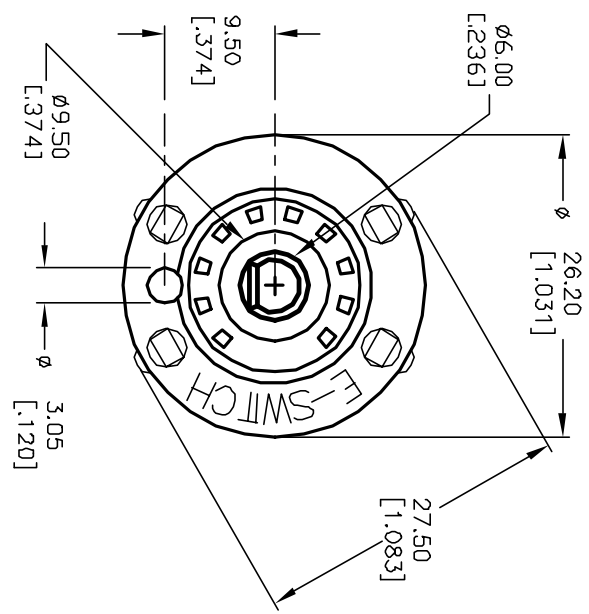
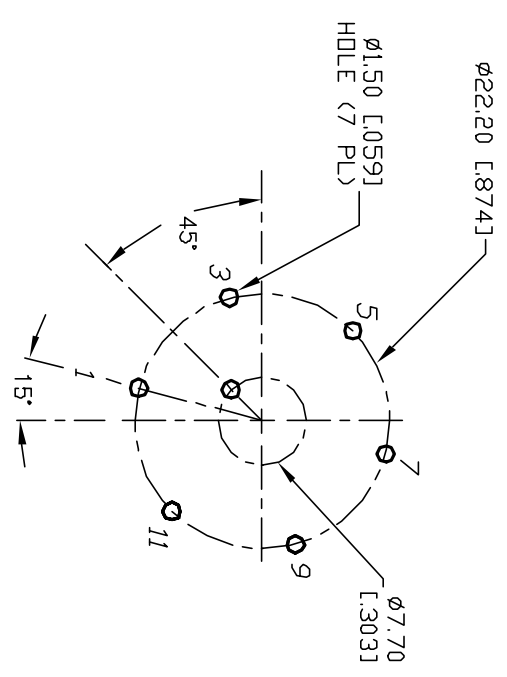
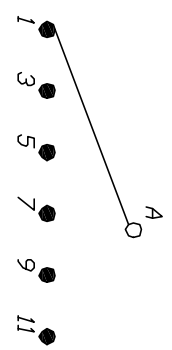


- NOTES:
1. ALL DIMENSION IN MM [INCH]
  2. GENERAL TOLERANCE: X.X=±0.4  
X.XX=±0.25
  3. TERM. NOS. FOR REF. ONLY
  4. CONTACT RATING SWITCHING: 150mA, 250V AC/DC  
350mA, 110V AC/DC
  5. CONTACT RATING (NON-SWITCHING) 5A
  6. CONTACT MATERIAL: GOLD FLASH over SILVER PLATE  
over COPPER ALLOY.
  7. OPERATING FORCE: 425±100 CM/STANDARD
  8. OPERATING TEMP: -30° to 85°C
  9. CIRCUIT SP.: 6 POSITIONS, 60° INDEX.
  10. DIELECTRIC STRENGTH 1000V RMS min. @ SEA LEVEL
  11. DESIGNATE MAJOR DIMENSIONS
  12. LOCK NUT AND WASHER NOT SHOWN.



**E-SWITCH®**

TITLE		SCALE		DATE		DR		DWG		REV	
KC-60-A (30.0mm) 01-N-P-F		1.5:1		5/20/02		CJB		G510780		A	
REV.	ECN No.	DESCRIPTION	DATE	CHKD							
A	12161	RELEASED FOR PRODUCTION	5/20/02	CJB							

THE INFORMATION CONTAINED IN THIS DOCUMENT IS PROPRIETARY TO E-SWITCH AND IS NOT TO BE COPIED OR TRANSFERRED