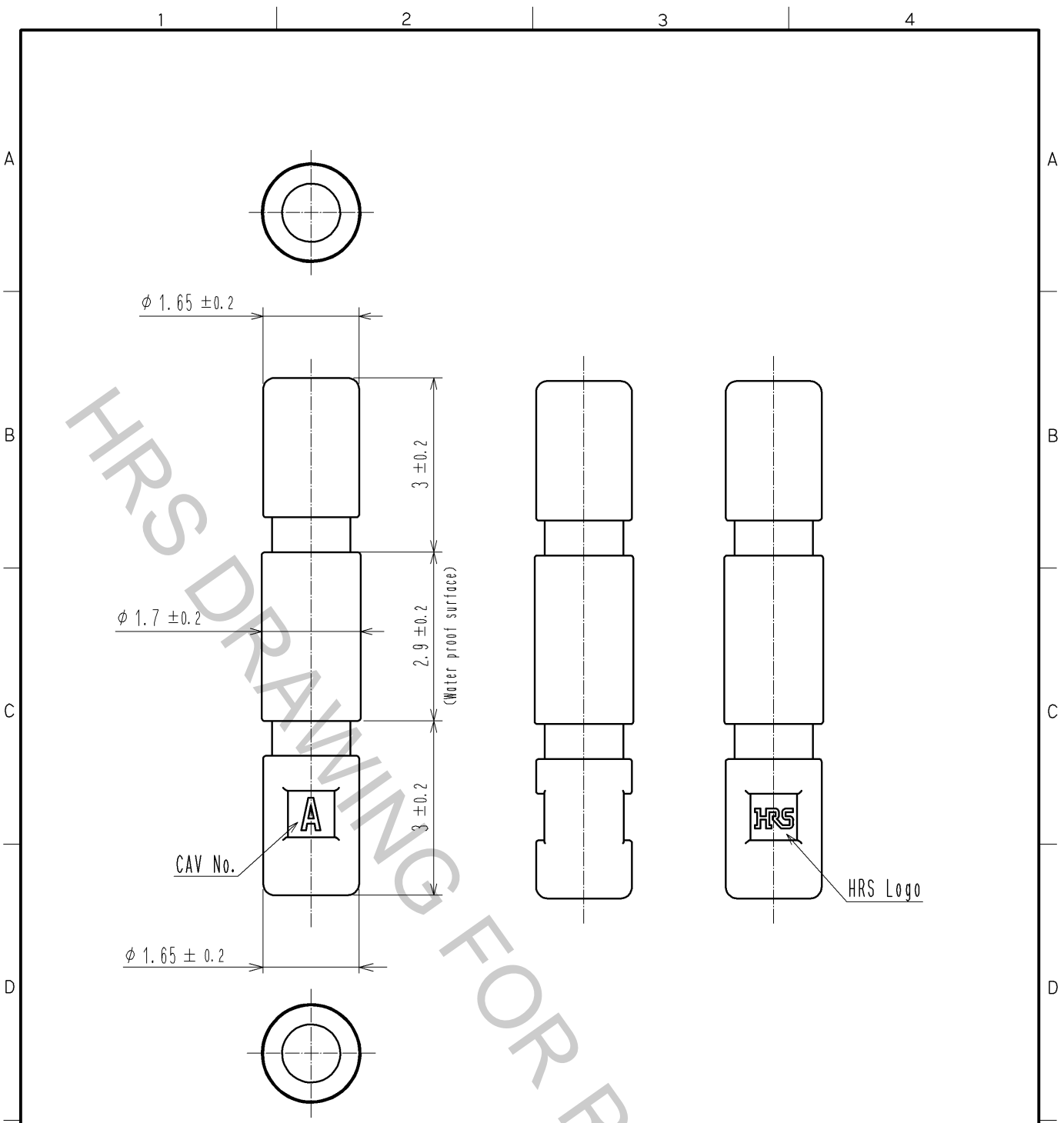


Sep.1.2018 Copyright 2018 HIROSE ELECTRIC CO., LTD. All Rights Reserved.  
 In case that the application demands a high level of reliability, such as automotive,  
 please contact a company representative for further information.



Note1. 100 pcs. / bag  
 2. Always refer to the manuals below for operation of this product.  
 For Cable assembly / Cable assembly procedure ETAD-H0760  
 For Mating / Unmating / Operation manual ETAD-H0761

1	PBT	UL94V-0 (Black)							
NO.	MATERIAL	FINISH	REMARKS	NO.	MATERIAL	FINISH	REMARKS		
UNITS mm		SCALE 10:1	COUNT 	DESCRIPTION OF REVISIONS			DESIGNED	CHECKED	DATE
<b>HRS</b> HIROSE ELECTRIC CO., LTD.	APPROVED	: KI. AKIYAMA	14. 01. 20	DRAWING NO.		EDC4-354088-00			
	CHECKED	: MN. KENJO	14. 01. 20	PART NO.		DF62W-WP			
	DESIGNED	: KT. ISHII	14. 01. 20	CODE NO.		CL544-1014-6-00			
	DRAWN	: KT. ISHII	14. 01. 20			1/1			