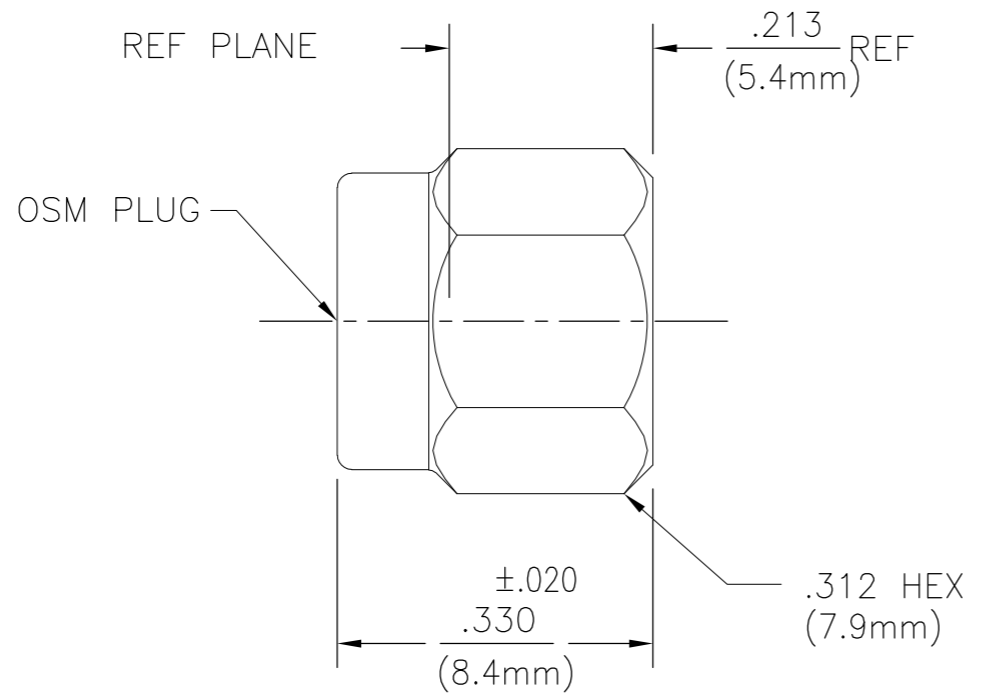


THIS DRAWING IS UNPUBLISHED. RELEASED FOR PUBLICATION  
 © COPYRIGHT BY TYCO ELECTRONICS CORPORATION. ALL INTERNATIONAL RIGHTS RESERVED.

LOC DIST  
 AJ 00

P	LTR	DESCRIPTION	DATE	DWN	APVD
	A	REDRAWN ON CAD PER ECN 88-0678	09-03-91	BB	<i>[Signature]</i>
	B	REVISED PER ECO-08-030676	02-24-09	AEG	JKO

DESIGNED FOR USE WITH  
 .141 DIA S.R. CABLE  
 CABLE ENTRY DIAMETER  
 MINIMUM  
 HOUSING .144 (3.7mm)



- ① BRASS
- ② STAINLESS STEEL
- ③ BERYLLIUM COPPER
- ④ PTFE
- ⑤ GOLD PLATE
- ⑥ PASSIVATED
- ⑦ SILICONE RUBBER
- ⑧ NICKEL PLATE

ELECTRICAL	MECHANICAL	ENVIRONMENTAL
Nominal Impedance (Ohms) 50	Interface Dimensions MIL-STD-348A, Fig. 310.3	TEMPERATURE RATING -65°C TO 105°C
Frequency Range (GHz) DC to 18.0	Recommended Mating Torque 7 to 10 in-LBs	Vibration MIL-STD-202, Method 204, Condition D
Volt Rating (VRMS MAX) @ Sea Level 335	Mating Characteristics:	Shock MIL-STD-202, Method 213, Condition 1
VSWR 1.02 + .005f(GHz)	Insertion (MAX Lbs) N/A	Thermal Shock MIL-STD-202, Method 107, Condition B, EXCEPT HIGH TEMP 115°C
Insertion Loss (dB MAX) .03 √f(GHz)	Withdrawal (MIN Oz) N/A	Moisture Resistance MIL-STD-202, Method 106, No Measurement At High Humidity
RF Leakage (dB MIN) -(90-f(GHz))	Force to Engage and Disengage (In/Lbs MAX) 2.0	Corrosion - MIL-STD-202, Method 101, Condition B, 5% salt spray
Dielectric Withstanding Voltage (VRMS MIN) @ Sea Level N/A	Center Contact Captivation Axial (Lbs) N/A	
Contact Resistance (Milliohms MAX) Center Contact N/A	Radial (In/Oz) N/A	
Outer Contact 2.0	Cable Retention Axial Force (Lbs) 60 MIN	
Cable to Housing 0.5	Torque (In/Oz) 55	
RF High Potential @ Sea Level (VRMS MIN @ 5 MHz) 670	Weight (Grams) T.B.D.	
I.R.(Megohms MIN) 10,000		

①⑥	③	⑦	①⑤	1050756-2
②⑤	③	⑦	②⑤	1050756-1
HOUSING	RETAINING RING	GASKET	COUPLING NUT	TE PN

THIS DRAWING IS A CONTROLLED DOCUMENT.

DIMENSIONS: INCHES	TOLERANCES UNLESS OTHERWISE SPECIFIED:	DWN JPD 9/8/76	Tyco Electronics Corporation Harrisburg, PA 17105-3608
	0 PLC ± -	CHK ECA 11/16/76	
	1 PLC ± -	APVD RNF 12/6/76	
	2 PLC ± -	PRODUCT SPEC -	
	3 PLC ± .005	APPLICATION SPEC -	
	4 PLC ± - ± 1'	WEIGHT -	
MATERIAL -	FINISH -	NAME OSM STRAIGHT CABLE PLUG DIRECT SOLDER ATTACHMENT	

SIZE A3	CAGE CODE 00779	DRAWING NO C-1050756	RESTRICTED TO -
CUSTOMER DRAWING		SCALE 5:1	SHEET 1 OF 1
		REV B	