

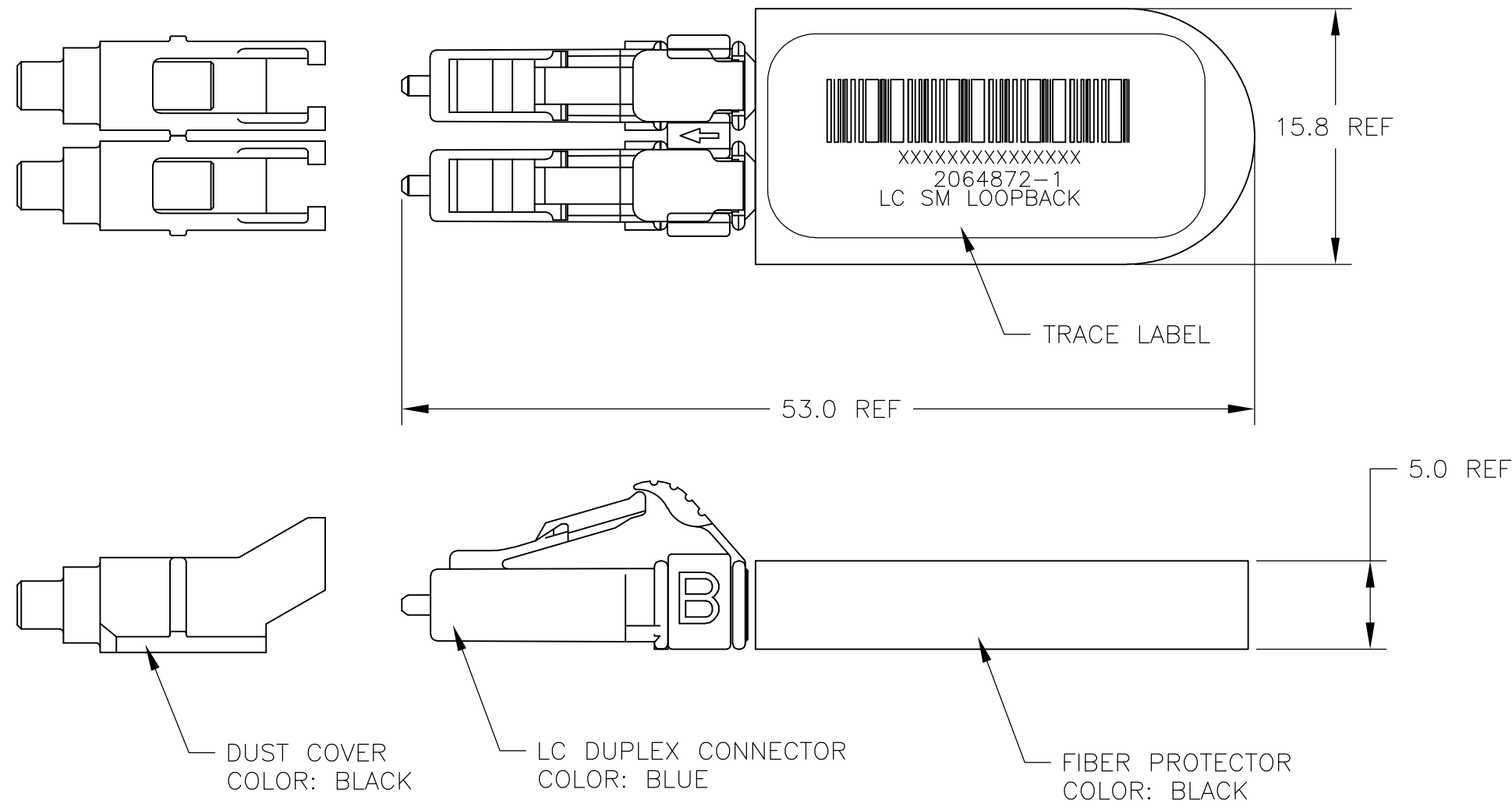
THIS DRAWING IS UNPUBLISHED. RELEASED FOR PUBLICATION
 © COPYRIGHT - By - ALL RIGHTS RESERVED.

LOC		DIST		REVISIONS			
P	LTR	DESCRIPTION	DATE	DWN	APVD		
HG	-	A	INITIAL RELEASE	16OCT12	SW	RZ	

PART NUMBER
 2064872-1

NOTES:

1. MAXIMUM INSERTION LOSS IS 0.5 dB AT 1310 & 1550nm.
2. MINIMUM RETURN LOSS: 45dB AT 1310 & 1550nm
3. INCLUDE IL & RL TEST DATA WITH EACH LOOPBACK
4. PRODUCT AND PROCESSING MUST MEET REQUIREMENTS OF TE STANDARD TEC-138-702.



THIS DRAWING IS A CONTROLLED DOCUMENT.		DWN SIMON WU 16OCT12	TE Connectivity	
DIMENSIONS: mm		CHK KIM ZHANG 16OCT12		
		APVD RICHARD ZHAO 16OCT12	NAME CABLE ASSY, FIBER OPTIC, SINGLEMODE LC DUPLEX LOOPBACK	
TOLERANCES UNLESS OTHERWISE SPECIFIED: 0 PLC ± - 1 PLC ± - 2 PLC ± - 3 PLC ± - 4 PLC ± - ANGLES ± - FINISH -		PRODUCT SPEC -	APPLICATION SPEC -	RESTRICTED TO -
MATERIAL -		WEIGHT -	SIZE A2	CAGE CODE 00779
CUSTOMER DRAWING			DRAWING NO C-2064872	SCALE NTS
			SHEET 1 of 1	REV A