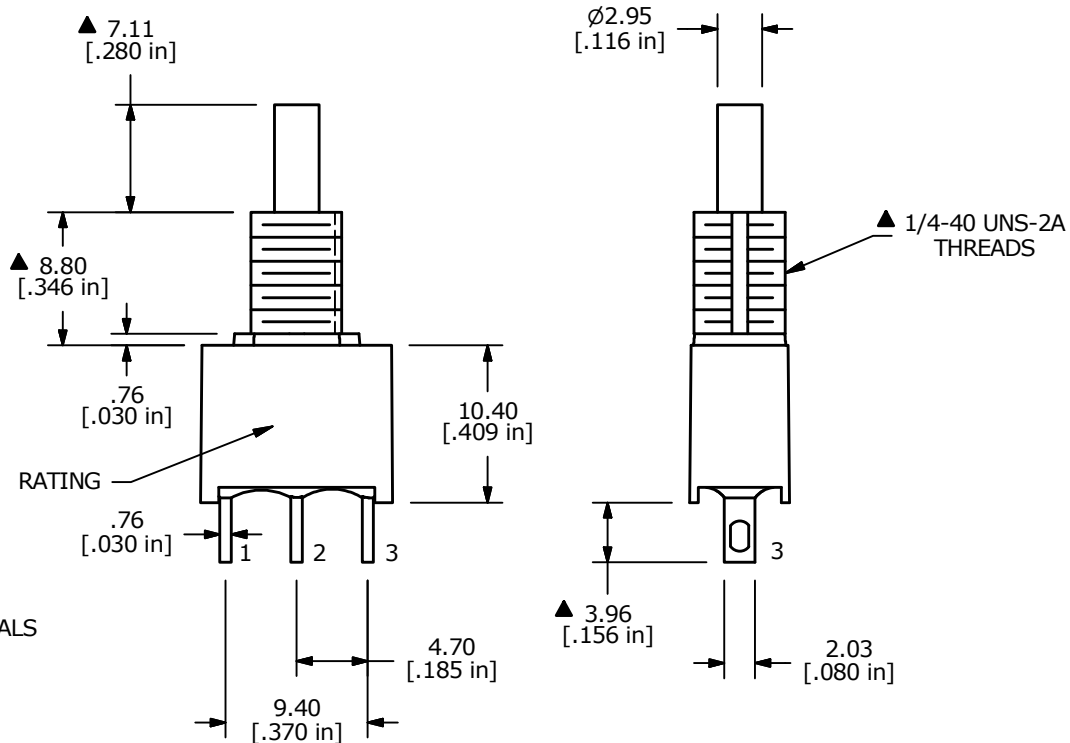


| SWITCH FUNCTION |        |
|-----------------|--------|
| POS. 1          | POS. 2 |
|                 |        |
| ON              | (ON)   |
| 1-3             | 1-2    |

(ON) = MOMENTARY



NOTE:

1. ALL DIMENSIONS IN MM [INCH]
2. GENERAL TOLERANCE: X.X = ±0.4  
X.XX = ±0.25
3. TERMINAL NUMBERS FOR REF ONLY
- ▲ 4. PLATING: SILVER CONTACTS, GOLD OVER SILVER TERMINALS
5. RATING: 3A @ 120VAC OR 28VDC  
1A @250VAC
6. ELECTRIC LIFE: 50,000 MAKE-AND-BREAK CYCLES AT FULL LOAD.
7. INSULATION RESISTANCE: 1,000 MEGA-OHM MIN.
8. DIELECTRIC STRENGTH: 1,500 V RMS @SEA LEVEL.
9. OPERATING TEMP.: -30°C to 75°C
10. ▲ DENOTES CRITICAL PARAMETER.
11. 2011/65/EU (ROHS) COMPLIANT
12. IP67 RATED



|     |        |                          |          |    |
|-----|--------|--------------------------|----------|----|
| B   | 22810  | UPDATE AND ADD IP67 NOTE | 4/18/17  | MW |
| A   | 14503  | RELEASED FOR PRODUCTION  | 11/15/04 | AR |
| REV | PCR NO | DESCRIPTION              | DATE     | BY |

|                      |          |    |         |     |
|----------------------|----------|----|---------|-----|
| TITLE 700ASP7B10M1QE |          |    |         |     |
| SCALE                | DATE     | DR | DWG     | REV |
| 2:1                  | 6/7/2004 | AR | T750000 | B   |

THE INFORMATION CONTAINED IN THIS DOCUMENT IS PROPRIETARY TO E-SWITCH AND IS NOT TO BE COPIED OR TRANSFERRED