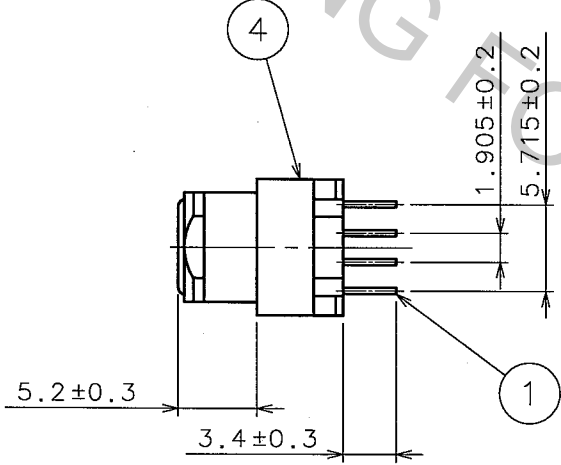
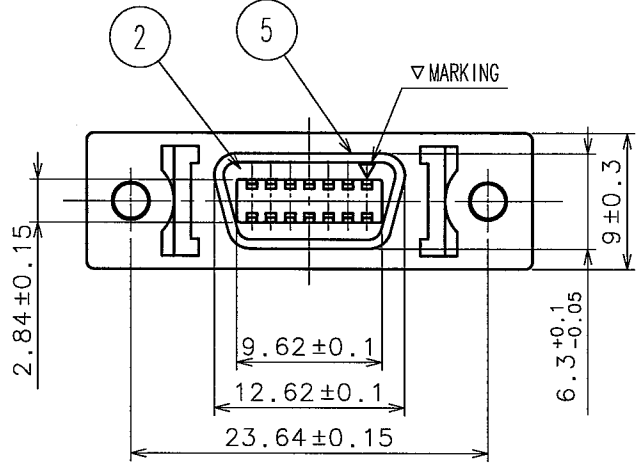
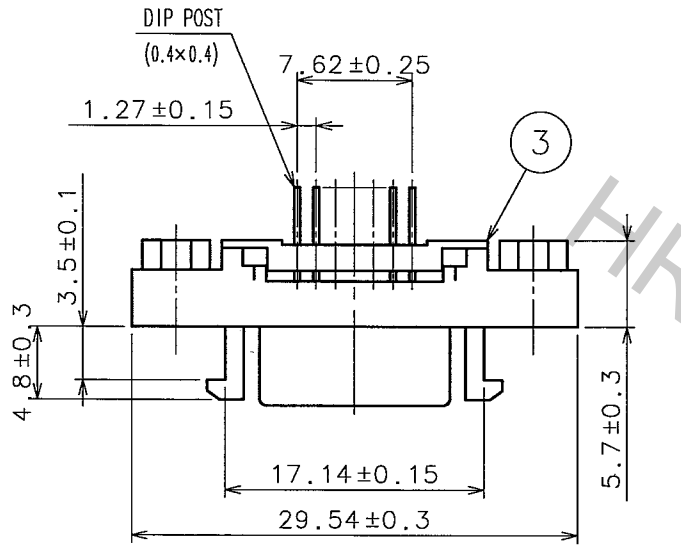
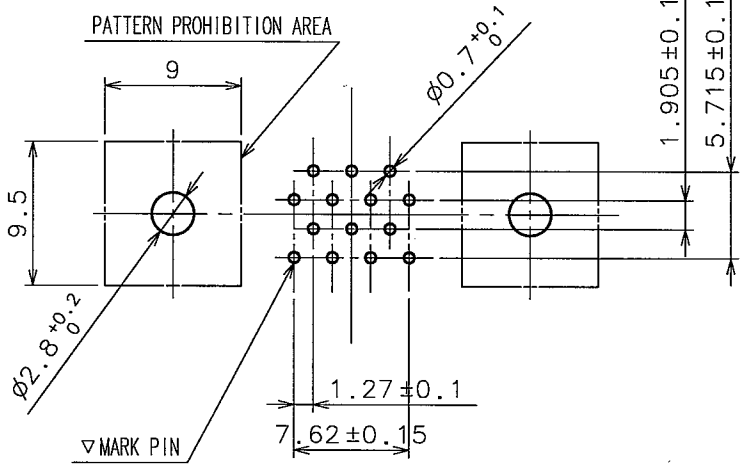


Apr.1.2017 Copyright 2017 HIROSE ELECTRIC CO., LTD. All Rights Reserved.

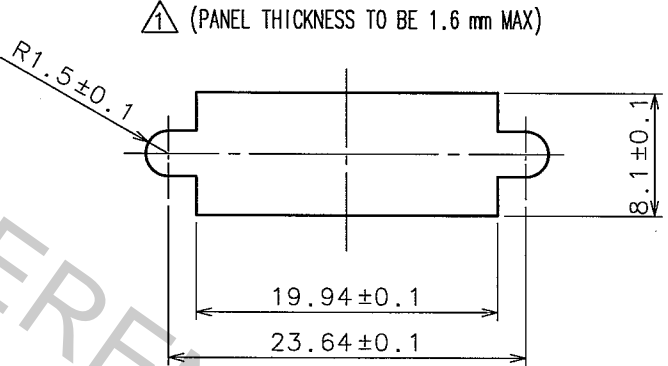
COUNT	DESCRIPTION OF REVISIONS	BY	CHKD	DATE	COUNT	DESCRIPTION OF REVISIONS	BY	CHKD	DATE
△	REWRITTEN BY CAD	Y.S	Y.E	06.09.01	△				
△	1 DIS-E-000942	Y.S	Y.E	06.09.01	△				



RECOMMENDED PC BOARD PATTERN



PANEL CUTOUT



3	PBT	UL94V-0(BLACK)			
2	PBT	UL94V-0(BLACK)	5	STEEL	
1	PHOSPHOR BRONZE	SELECTIVE GOLD PLATING 0.3μm	4	ZINC ALLOY DIE CASTING	
				NICKEL PLATING	
NO.	MATERIAL	FINISH, REMARKS	NO.	MATERIAL	FINISH, REMARKS

CODE NO. (OLD)	DRAWN	DESIGNED	CHECKED	APPROVED	RELEASED
	T.KAMEYA	T.KAMEYA	Y.ENAMI	H.MIWA	
	03.10.15	03.10.15	03.10.16	03.10.16	

 SCALE 2 : 1 UNITS mm	DRAWING NO. EDC3-044249-01 HRS HIROSE ELECTRIC CO., LTD	PART NO. DX20M-14S(50) CODE NO. CL230-5012-5-50	1/1
-----------------------------------	---	--	-----

TO
Q