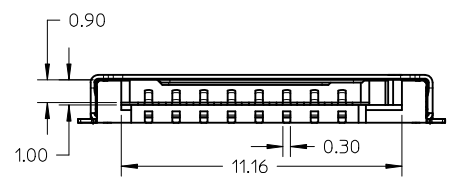
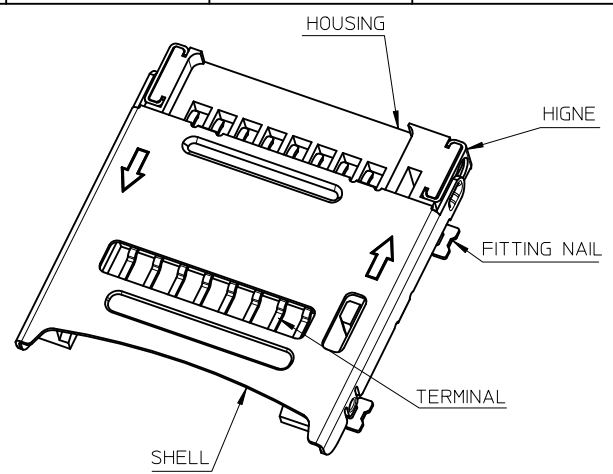
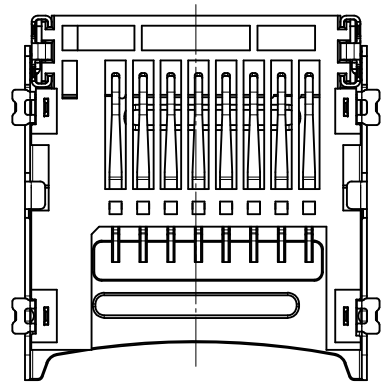
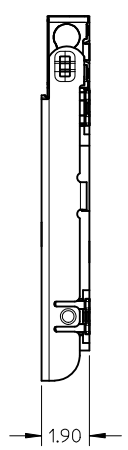
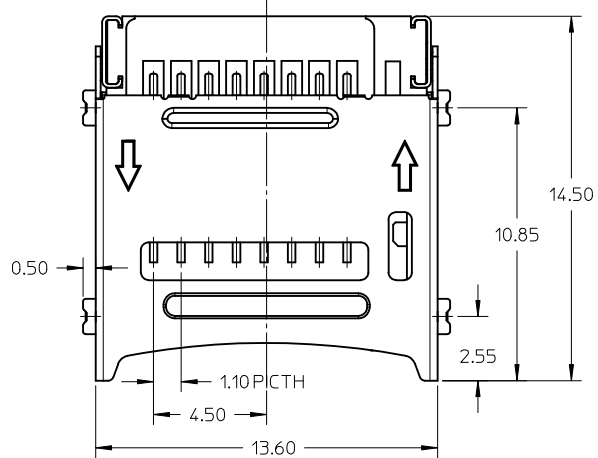


10 9 8 7 6 5 4 3 2 1

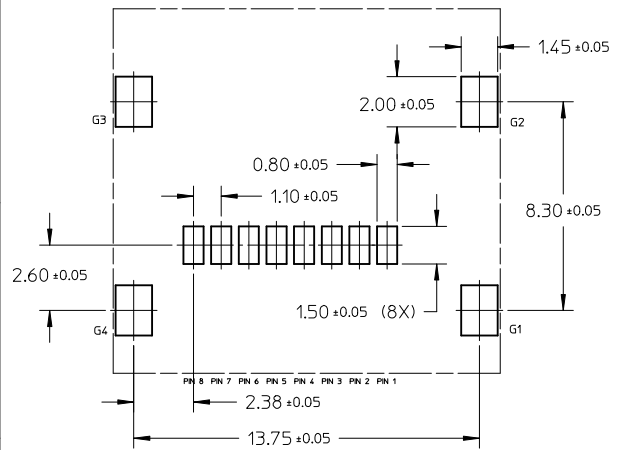


P/N	Gold PLATING ON CONTACT AREA
472190001	2u" min.
472192001	20u" min.

NOTES:

- MATERIAL:
  - 1-1 TERMINAL, FITTING NAIL, HIGE : COPPER ALLOY
  - 1-2 SHELL : STAINLESS STEEL
  - 1-3 HOUSING : LCP, UL 94-V0, BLACK
- FINISH:
  - 2-1 TERMINAL : OVERALL NICKEL UNDERPLATED, GOLD PLATING ON CONTACT AREA TIN PLATING ON SOLDER TAIL
  - 2-2 FITTING NAIL : OVERALL NICKEL UNDERPLATED, TIN PLATED ON SOLDER AREA
  - 2-3 HIGE : OVERALL NICKEL PLATING
- MECHANICAL SPECIFICATION:
  - DURABILITY MATED 5,000 TIMES AND STILL MEET ELECTRICAL CHARACTERISTICS
- ELECTRICAL SPECIFICATION:
  - 4-1 RATED CURRENT (PER CONTACT) : 0.5AMPS MAX AND TEMPERATURE RISE SHOULD BE 30°C MAX
  - 4-2 INSULATION RESISTANCE(I.R):100 MEGOHMS MIN.
  - 4-3 DIELECTRIC WITHSTANDING VOLTAGE : N/A
  - 4-4 CONTACT RESISTANCE: 100 MILLIOHMS MAX
- COMPLIANT TO RoHS DIRECTIVE 2002/95/EC AND ELV 2000/53/EC.
- PRODUCT PACKING: PK-47219-001.
- PRODUCT SPECIFICATION: PS-47219-001.

G4	GND
G3	GND
G2	GND
G1	GND
PIN8	DAT1
PIN7	DAT0
PIN6	VSS
PIN5	CLK
PIN4	VDD
PIN3	CMD
PIN2	CD/DAT3
PIN1	DAT2
PIN NUMBER	PIN NAME



RECOMMENDED PCB LAYOUT

IN CASE OF STENCIL THICKNESS: 0.12MM OPEN RATIO IS 100%.  
 IN CASE OF STENCIL THICKNESS : 0.1MM OPEN RATIO IS 100% MINIMUM.  
 (0.08MM STENCIL THICKNESS CAN NOT BE RECOMMENDED)

REVISED	EC NO: SH2012-0233	2012/01/18	DESCRIPTION
	DRWING: GLL	2012/01/18	
	CHKD: XQZHANG	2012/01/18	
	APPR: AYIN	2012/01/20	
REV			

QUALITY SYMBOLS	GENERAL TOLERANCES (UNLESS SPECIFIED)	
	mm	INCH
$F_A=0$	4 PLACES ± ---	± ---
$F_C=0$	3 PLACES ± ---	± ---
$F_P=0$	2 PLACES ± 0.15	± ---
	1 PLACE ± ---	± ---
	ANGULAR ± 3 °	
	DRAFT WHERE APPLICABLE MUST REMAIN WITHIN DIMENSIONS	

DIMENSION STYLE		SCALE	DESIGN UNITS	THIRD ANGLE PROJECTION
MM ONLY		5:1	METRIC	
DRAWN BY	DATE	TITLE		
GLL1	2012/01/18	TFR READER HINGE TYPE		
CHECKED BY	DATE	MOLEX INCORPORATED		
XQZHANG	2012/01/18	DOCUMENT NO. SD-47219-001		
APPROVED BY	DATE	SHEET NO. 1 OF 1		
		THIS DRAWING CONTAINS INFORMATION THAT IS PROPRIETARY TO MOLEX INCORPORATED AND SHOULD NOT BE USED WITHOUT WRITTEN PERMISSION		

9 8 7 6 5 4 3 2 1