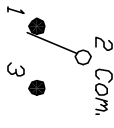


RECOMMENDED PANEL MOUNTING



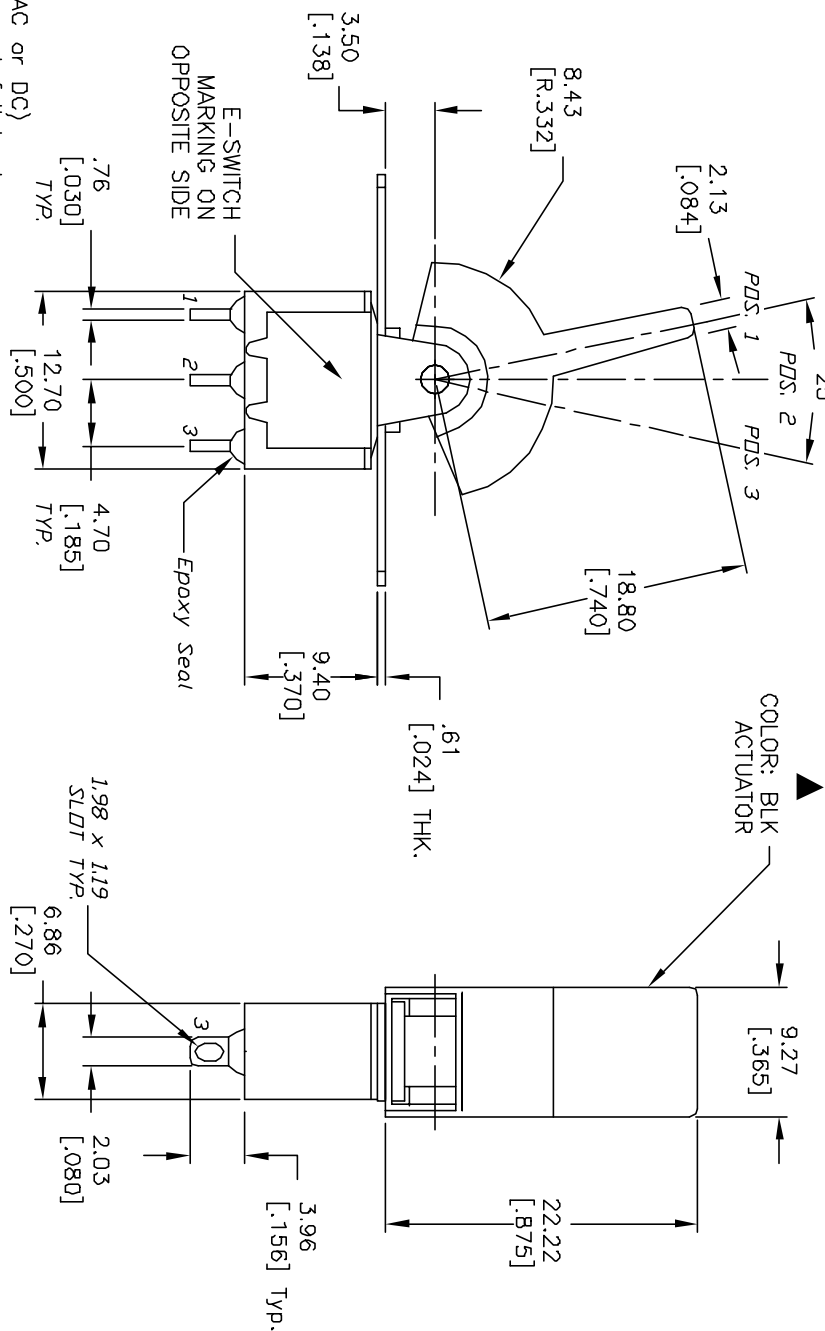
CIRCUIT: SPDT

CONTACT CONFIGURATION

SWITCH FUNCTION		
POS. 1	POS. 2	POS. 3
DN	OFF	DN
2-3	OPEN	2-1

NOTES:

1. ALL DIMENSIONS IN MM [INCH]
2. GENERAL TOLERANCE: X.X=±0.4; X.XX=±0.25
3. TERM. NOS. FOR REF. ONLY
4. CONTACT RATING: 0.4 (VA) MAX. @ 20V MAX. (AC or DC)
5. ELECTRICAL LIFE: 50,000 make-and-break cycles at full load.
6. INSULATION RESISTANCE: 1,000 ohm min.
7. DIELECTRIC STRENGTH: 1,000 V RMS @sea level
8. OPERATION TEMP.: -30°C to 85°C



COLOR: BLK ACTUATOR

E-SWITCH®

REV.	ECN No.	DESCRIPTION	DATE	CHKD	SCALE	DATE	DR	DWG	REV
A	11493	RELEASED FOR PRODUCTION	5/08/01	CJB	2:1	5/08/01	CJB	T311049	A

TITLE: 300 SP-3 R2 (BLK) M1 R E

THE INFORMATION CONTAINED IN THIS DOCUMENT IS PROPRIETARY TO E-SWITCH AND IS NOT TO BE COPIED OR TRANSMITTED