

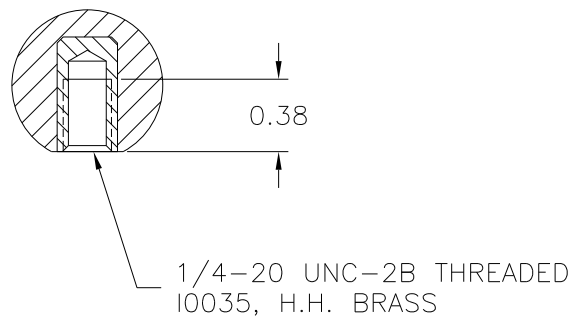
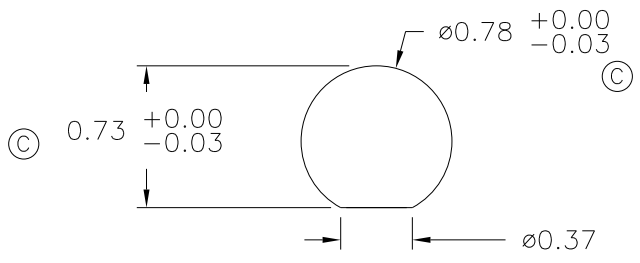
PART NAME: BALL KNOB SCALE: 1:1 DATE: 5/25/93 DR. BY HD

THIS DRAWING IS THE PROPERTY OF DAVIES MOLDING COMPANY, IS SUBMITTED SOLELY AS A DESIGN OR ENGINEERING PROJECT. WE ACCEPT NO RESPONSIBILITY WHATSOEVER FOR THE PRACTICAL APPLICATION OF THE PIECES MADE TO THIS DESIGN.

DAVIES MOLDING DESIGNERS & MANUFACTURERS OF KNOBS, HANDLES, CASES & CUSTOM PLASTIC COMPONENTS

P/N 0130-A	
MNO.	
CAVITY	0130
PLUNGER	0130
INSERT	10035
⑧ SHIM	0.218

① NOTE :
(1) PARTING LINE TO BE BUFFED AND POLISHED.



MATERIAL: G.P. PHENOLIC (B11)
COLOR: BLACK

TOLERANCES: UNLESS OTHERWISE SPECIFIED	DO NOT SCALE DRAWING			
		C	Added Dim. Tol.	JGP 05/09/02
DECIMALS: X.XXX ± .005 X.XX ± .015	MM: X.XX ± 0.15MM X.X ± 0.4MM	B	ADDED SHIM	JAM 11/19/01
		A	BUFF & POLISHED ADDED	HD 9/11/95
FRACTIONS ± 1/64	ANG. ± 1°	CHANGES		