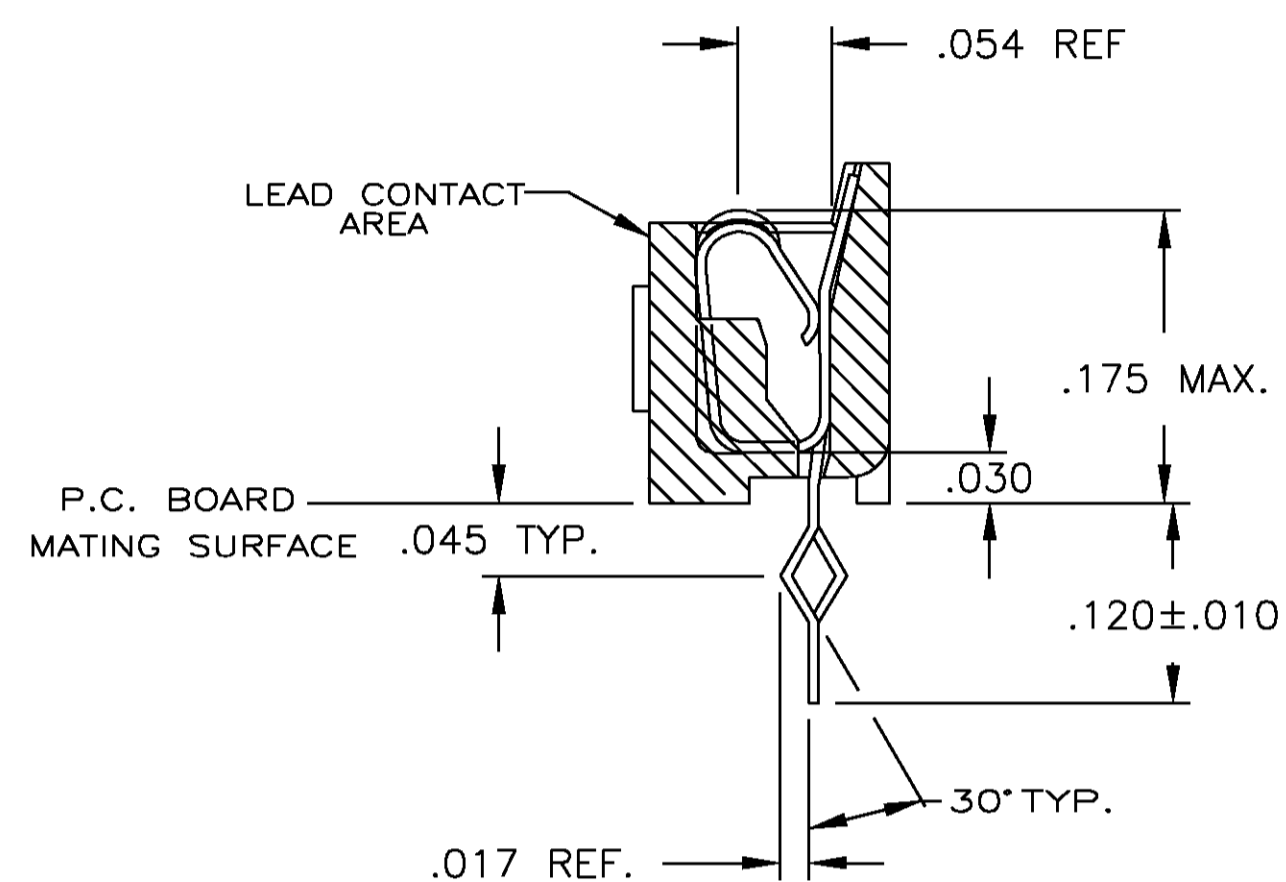
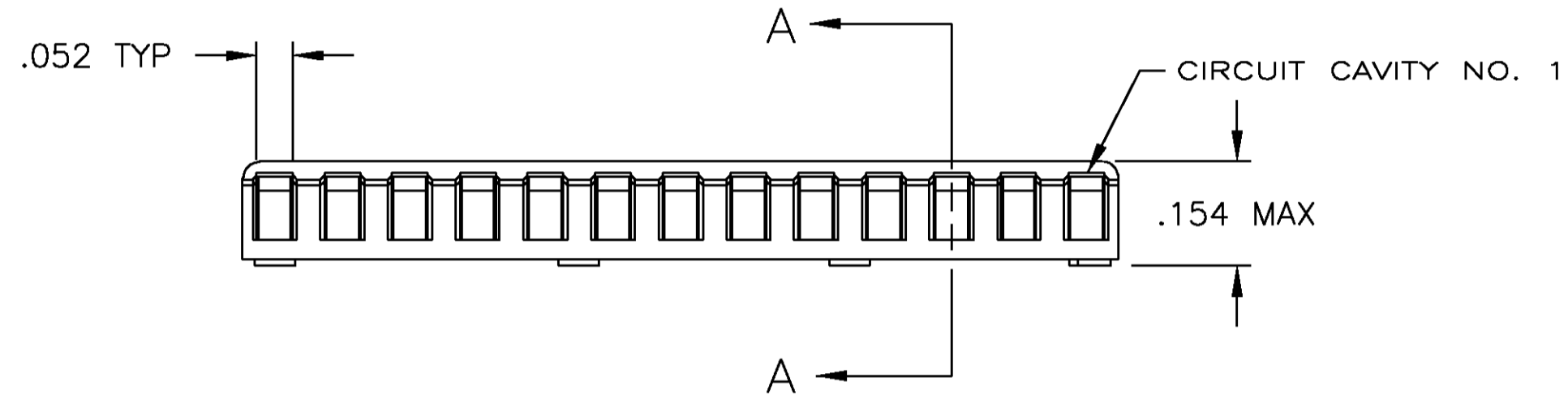
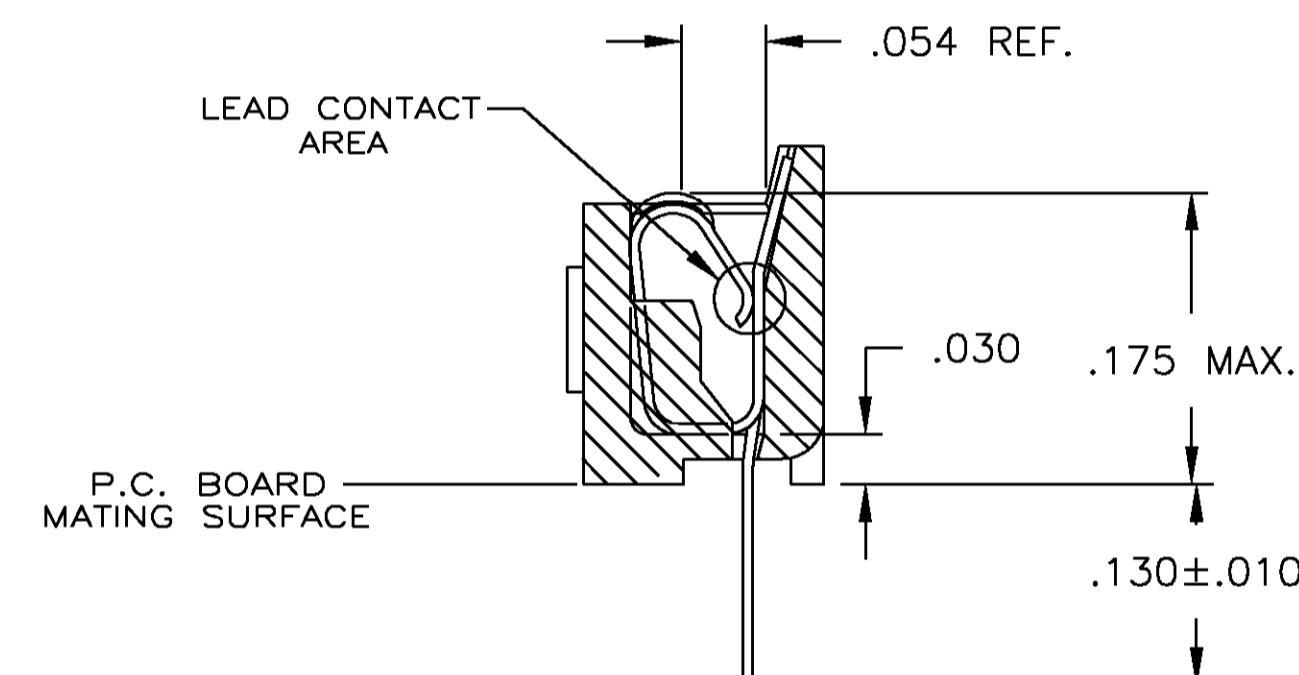


LOC	DIST	REVISIONS			
P	LTR	DESCRIPTION	DATE	DRW	APPD
FT	64	K	REV PER 0G3C-0214-99	24AUG00	BH HW

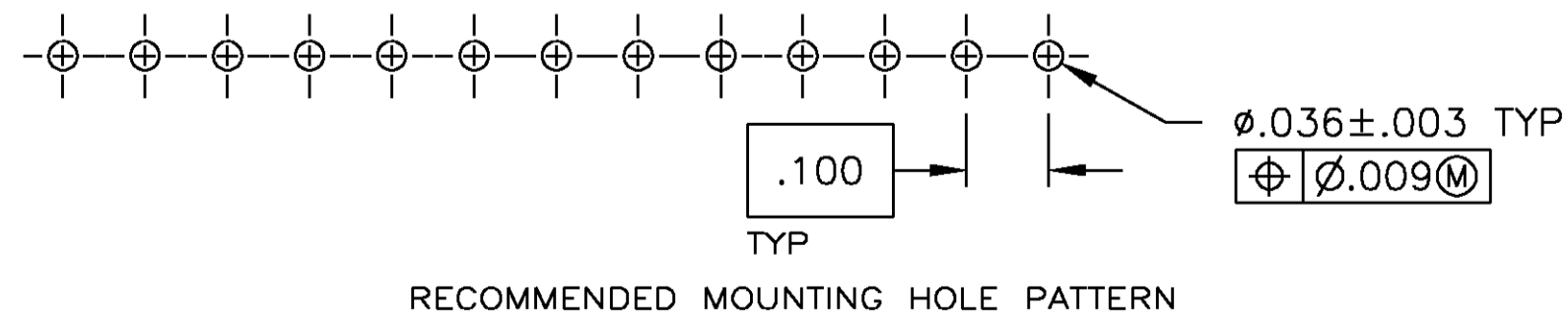
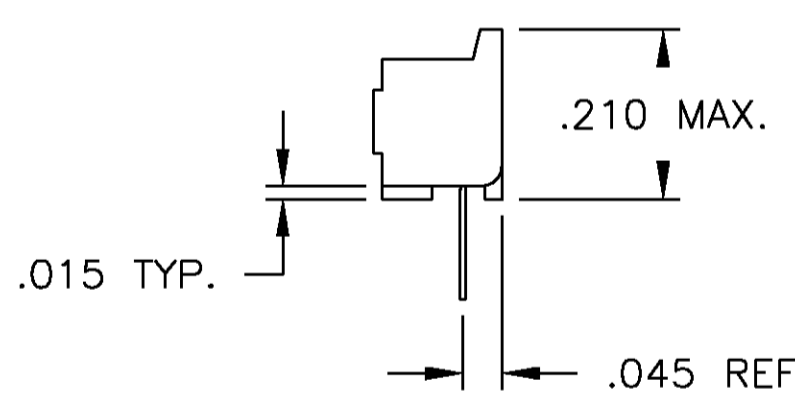
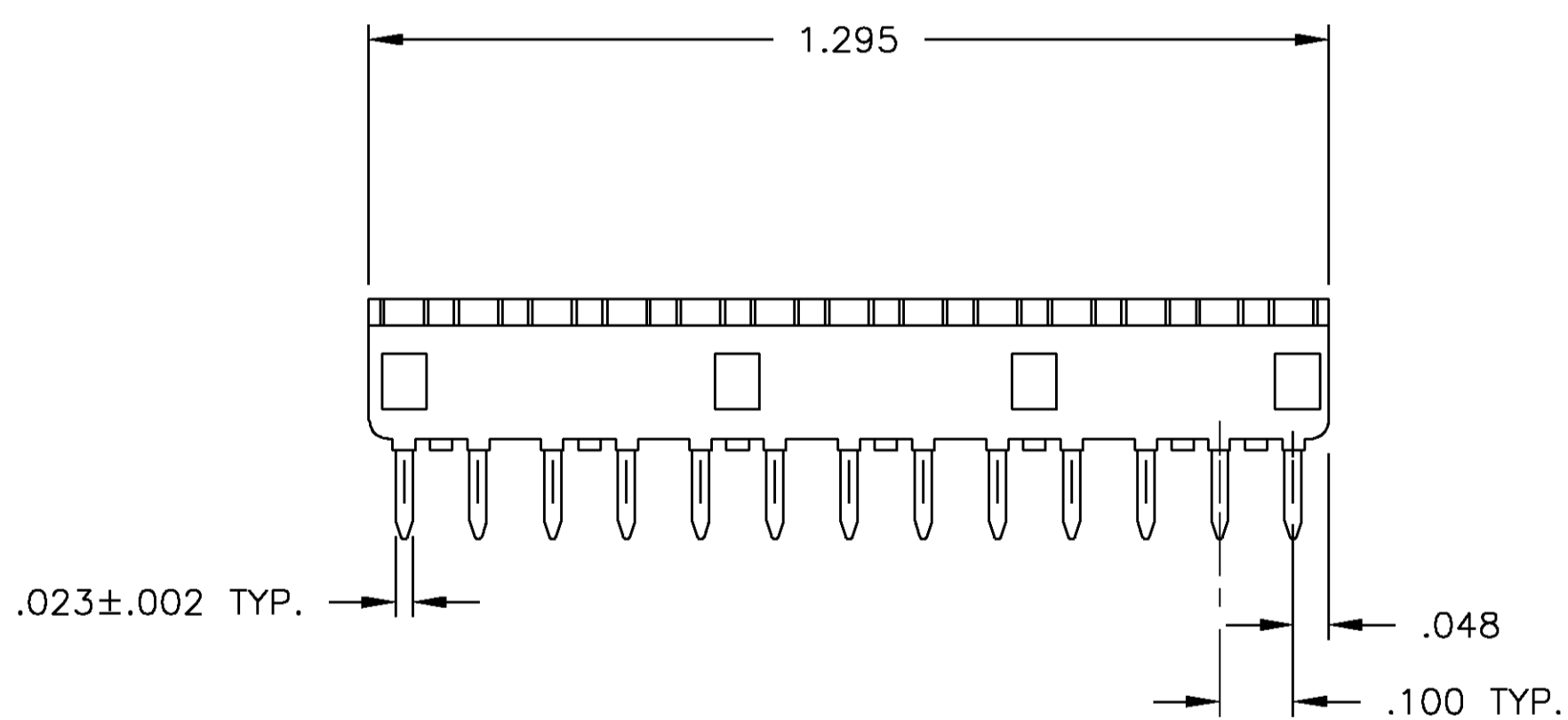


SECTION A-A
 ROTATED 90° CW
 SCALE 10:1
 FOR -6, -7 & -8 ONLY

- RECEPTACLE ACCEPTS AN .008-.014 THK. I.C. LEAD.
- TWO .000030 MIN. THK. GOLD STRIPES IN CONTACT AREA, TIN-LEAD(93-7) ON CONTACT LEGS, BALANCE OF CONTACT NICKEL PLATED.
- TWO .000015 MIN. THK. GOLD STRIPES IN CONTACT AREA, TIN-LEAD(93-7) ON CONTACT LEGS, BALANCE OF CONTACT NICKEL PLATED.



SECTION A-A
 ROTATED 90° CW
 SCALE 10:1
 FOR -1, -2 & -3 ONLY



OBSELETE	TINNED	PHOS.BRZ.	GLASS-FILLED THERMOPLASTIC, 94V-0, BLACK	643645-8
OBSELETE	TINNED	BE.CU.	GLASS-FILLED THERMOPLASTIC, 94V-0, BLACK	643645-7
SUPSD BY 643645-2	TINNED	PHOS.BRZ.	GLASS-FILLED THERMOPLASTIC, 94V-0, BLACK	643645-6
	TINNED	PHOS.BRZ.	GLASS-FILLED THERMOPLASTIC, 94V-0, BLACK	643645-4
	TINNED	BE.CU.	GLASS-FILLED THERMOPLASTIC, 94V-0, BLACK	643645-3
	TINNED	BE.CU.	GLASS-FILLED THERMOPLASTIC, 94V-0, BLACK	643645-2
OBSELETE	TINNED	BE.CU.	GLASS-FILLED THERMOPLASTIC, 94V-0, BLACK	643645-1

CONTACT FINISH	CONTACT MAT'L	HOUSING MATERIAL	PART NO.
THIS DRAWING IS A CONTROLLED DOCUMENT.			
DIMENSIONS: INCHES		TOLERANCES UNLESS OTHERWISE SPECIFIED:	
0 PLC ± .005		1 PLC ± .005	
1 PLC ± .005		2 PLC ± .005	
2 PLC ± .005		3 PLC ± .005	
3 PLC ± .005		4 PLC ± .005	
4 PLC ± .005		ANGLES ± .5	
MATERIALS: SEE TABLE		FINISH: SEE TABLE	
DRW: M. CYRUS 8-1-84		OR: N. JONES 7-3-84	
APVD: J. GRAY 7-10-84		NAME: N. JONES	
PRODUCT SPEC: 108-1066		APPLICATION SPEC: 114-1049	
SIZE: A1		CAGE CODE: 00779	
DRAWING NO: 643645		RESTRICTED TO: K	
CUSTOMER DRAWING		SCALE: 5:1 SHEET 1 OF 1	