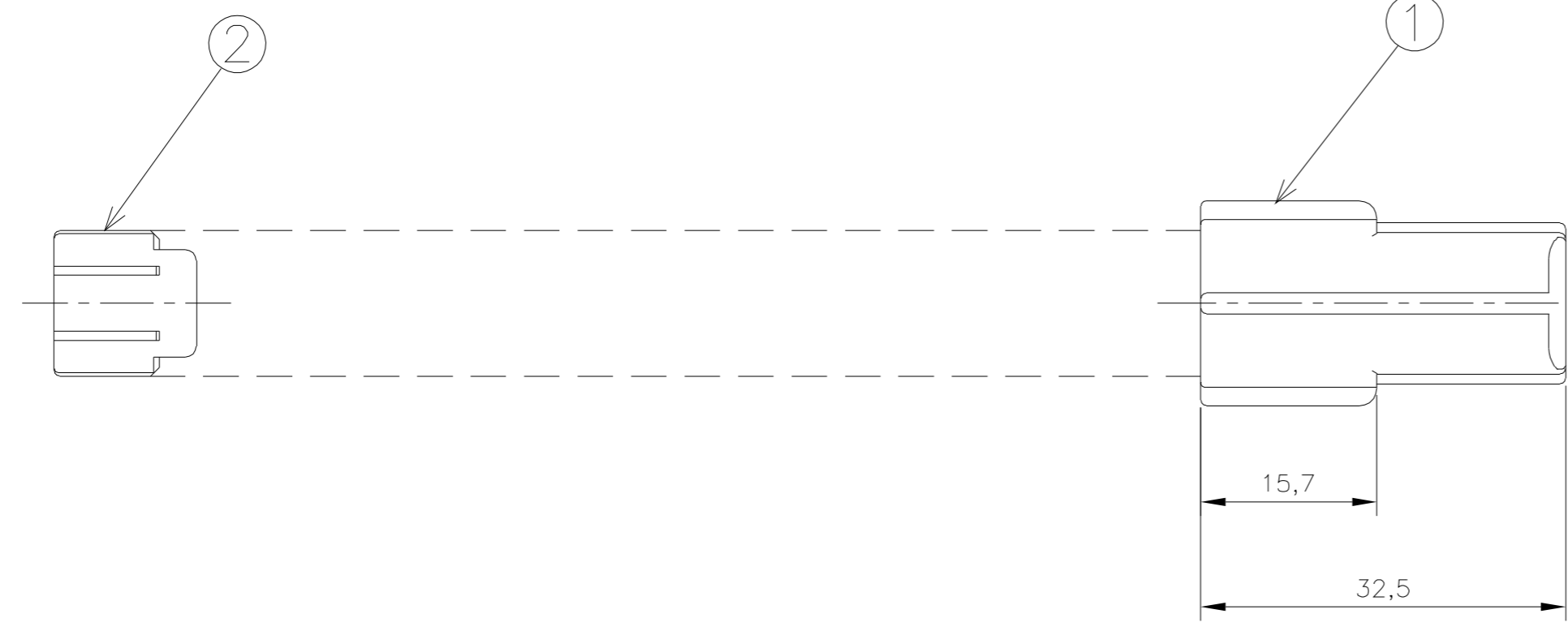
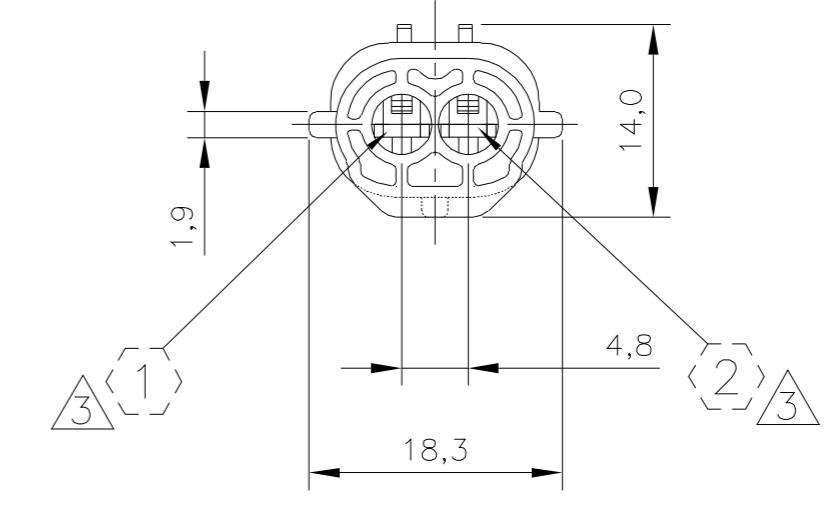
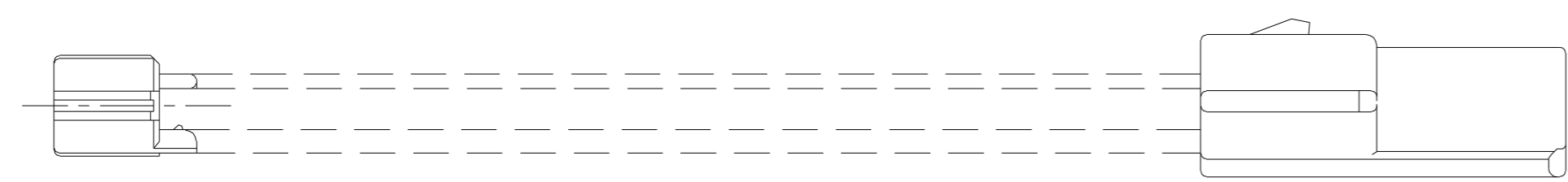


THIS DRAWING IS UNPUBLISHED. RELEASED FOR PUBLICATION  
 © COPYRIGHT - By - ALL RIGHTS RESERVED.

LOC		DIST		REVISIONS			
P	LTR	DESCRIPTION	DATE	DWN	APVD		
AP	-	B1	REVISED DESIGN ECO-12-009649	23MAY2012	NCL	GOJ	



- 1 - OS ITENS 1 e 2 DEVEM SER FORNECIDOS DESMONTADOS  
 - ITEMS 1 AND 2 MUST BE SUPPLIED NOT ASSEMBLED
- 2 - CONTRA-PEÇA: VER DESENHO PN 881773  
 - COUNTER-PART: SEE DRAWING PN 881773

3 - INDICAÇÃO DOS CIRCUITOS SOMENTE ORIENTATIVO: NÃO CONSTAM COMO GRAVAÇÃO NA PEÇA FÍSICA  
 - CIRCUIT INDICATION IS ONLY ORIENTATIVE: DON'T HAVE MARKING IN THE PHYSICAL PART

SELOS RECOMENDADOS RECOMMENDED WIRE SEALS					
172748-1	SINGLE WIRE SEAL	CAVITY PLUG	CAVITY PLUG	SILICONE / SILICON	PRETO/BLACK
172748-2	SINGLE WIRE SEAL	CAVITY PLUG	CAVITY PLUG	SILICONE / SILICON	CINZA/GRAY
444430-1	SINGLE WIRE SEAL	0,5 TO 1,5mm <sup>2</sup>	Ø 1,4 TO 2,4mm	SILICONE / SILICON	MARROM/BROWN
PART NUMBER	DESCRIÇÃO DESCRIPTION	WIRE RANGE	INSULATION RANGE	MATERIAL	ACABAMENTO FINISH

TERMINAIS RECOMENDADOS RECOMMENDED TERMINALS					
881590-1	TERMINAL 1.8 ECONOSEAL "J" SERIES MARKII TAB	0,5 TO 1,0mm <sup>2</sup>	Ø 1,4 TO 2,0mm	LATÃO/BRASS	PRÉ ESTANHADO/PRE TIN
881590-2	TERMINAL 1.8 ECONOSEAL "J" SERIES MARKII TAB	0,5 TO 1,0mm <sup>2</sup>	Ø 1,4 TO 2,0mm	BRONZE	PRÉ ESTANHADO/PRE TIN
881593-1	TERMINAL 1.8 ECONOSEAL "J" SERIES MARKII TAB	0,5 TO 1,0mm <sup>2</sup>	Ø 1,4 TO 2,4mm	LATÃO/BRASS	PRÉ ESTANHADO/PRE TIN
881593-2	TERMINAL 1.8 ECONOSEAL "J" SERIES MARKII TAB	0,5 TO 1,0mm <sup>2</sup>	Ø 1,4 TO 2,4mm	BRONZE	PRÉ ESTANHADO/PRE TIN
881594-1	TERMINAL 1.8 ECONOSEAL "J" SERIES MARKII TAB	1,0 TO 1,5mm <sup>2</sup>	Ø 1,4 TO 2,4mm	LATÃO/BRASS	PRÉ ESTANHADO/PRE TIN
881594-2	TERMINAL 1.8 ECONOSEAL "J" SERIES MARKII TAB	1,0 TO 1,5mm <sup>2</sup>	Ø 1,4 TO 2,4mm	BRONZE	PRÉ ESTANHADO/PRE TIN
PART NUMBER	DESCRIÇÃO DESCRIPTION	WIRE RANGE	INSULATION RANGE	MATERIAL	ACABAMENTO FINISH

1	2	DESCRIPTION	MATERIAL	ACABAMENTO FINISH
1	1	DOUBLE LOCK 2 POSN. ECONOSEAL "J" MARK II	PBT	AMARELO / YELLOW
1	1	PLUG HSG, 2 POSN. ECONOSEAL "J" MARK II	PBT	PRETO / BLACK
REQ. PER ASSY	ITEM NO	DESCRIPTION	MATERIAL	ACABAMENTO FINISH
-1				
881772				

THIS DRAWING IS A CONTROLLED DOCUMENT.

DWN	NCLapresa	13MAY2011	<b>STE</b> TE Connectivity	
CHK	José R. Goldschmidt	16MAY2011	NAME	
APVD	Maurício Gisoldi	16MAY2011	PRODUCT SPEC	
APPLICATION SPEC			KIT ECONOSEAL "J" 2 POSN.	
WEIGHT			SIZE	CAGE CODE
CUSTOMER DRAWING			A2	00779
SCALE			DRAWING NO	RESTRICTED TO
2:1			C=881772	-
SHEET			1 of 1	REV
1 of 1				B1

CAD  
 DO NOT REVISE  
 EXCEPT BY CAD

881772