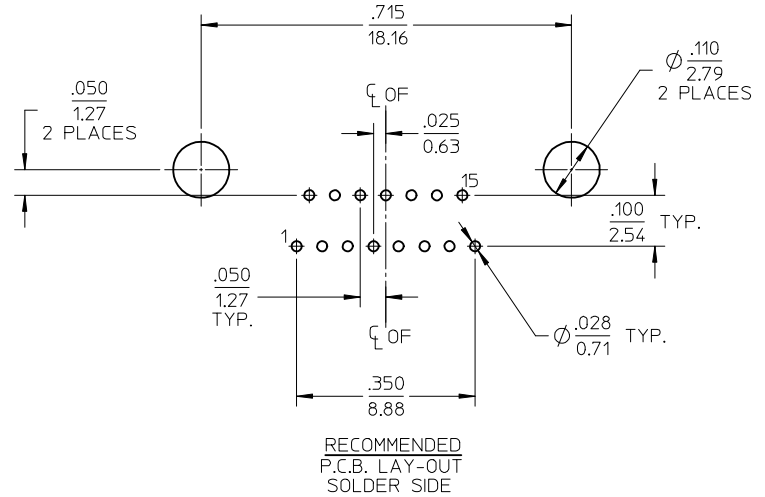
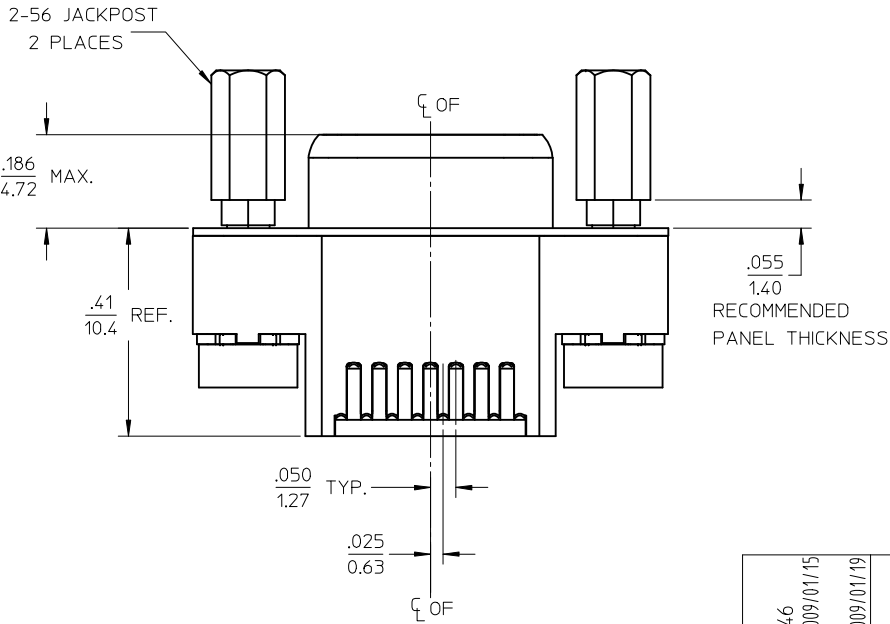
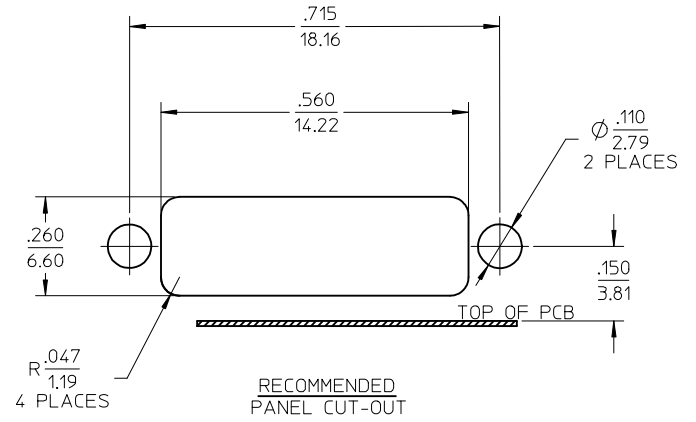
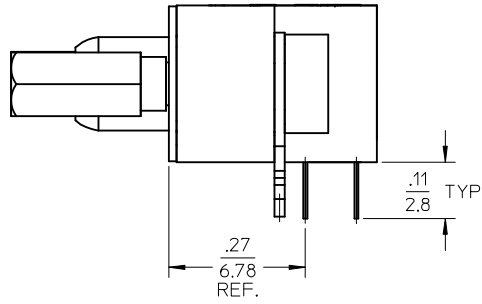
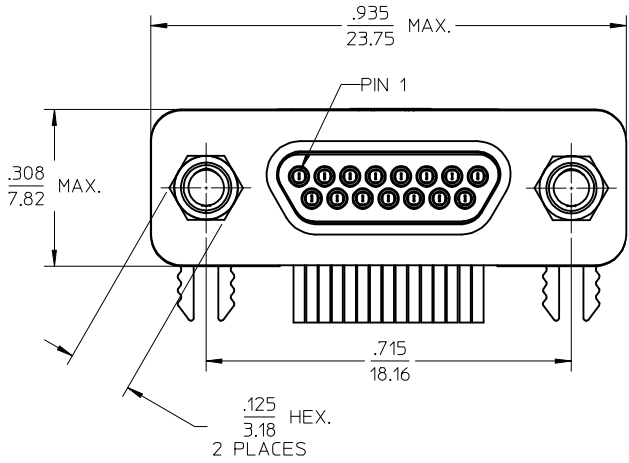


MATERIAL NO.	ENG. NO.
836129020	83612-9020



SALES DRAWING

NOTE:
 1. REFER TO PS-83421-9000 FOR PRODUCT SPECIFICATION.
 2. RoHS COMPLIANT

REDRAWN EC NO: WNA2008-0146 DRWN: RUPERT CHKD: APPR: JF MURPHY 2009/01/15 2009/01/19	QUALITY SYMBOLS	GENERAL TOLERANCES (UNLESS SPECIFIED)		DIMENSION STYLE		SCALE	DESIGN UNITS	THIRD ANGLE PROJECTION	
	$\nabla = 0$ $\square = 0$	mm	INCH	IN/MM		4:1	INCH		
		4 PLACES ± ---	± ---	DRAWN BY	DATE	TITLE			
		3 PLACES ± ---	± .005	JLOMASTR	04/09/20	CONNECTOR COMMERCIAL MICRO D R/A SIZE 15			
	2 PLACES ± 0.13	± .01	CHECKED BY	DATE	MOLEX INCORPORATED				
	1 PLACE ± 0.25	± ---	RDEROSS	04/09/27	DOCUMENT NO.				
	ANGULAR ± 1 °		APPROVED BY	DATE	SD-83612-002				
	DRAFT WHERE APPLICABLE MUST REMAIN WITHIN DIMENSIONS		RDEROSS	04/09/28	SHEET NO.				
			MATERIAL NO.		1 OF 1				
			SEE CHART		THIS DRAWING CONTAINS INFORMATION THAT IS PROPRIETARY TO MOLEX INCORPORATED AND SHOULD NOT BE USED WITHOUT WRITTEN PERMISSION				