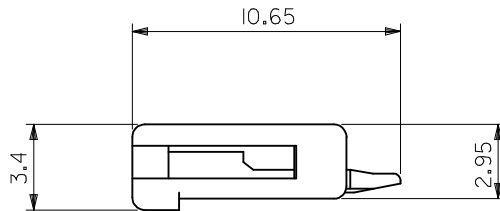
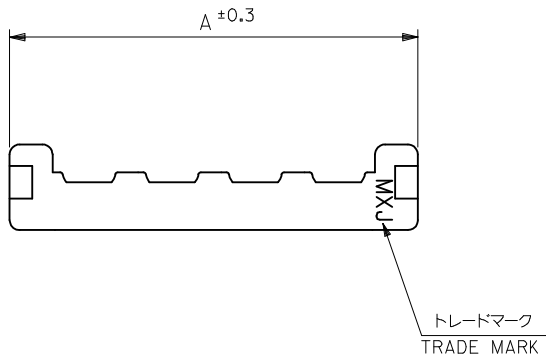


注記
NOTES

- △ 適合ハウジング : 51346/51347シリーズ
APPLICABLE HOUSING : 51346/51347 SERIES
- 2. 材質 : ポリアミド(PA)、ガラス充填、UL94V-0
MATERIAL : POLYIMIDE(PA)、GLASS FILLED、UL94V-0
- 3. ELV 及び RoHS 適合品
ELV AND RoHS COMPLIANT



NATURAL(IVORY)	23.1	29.4	51348-0813	8
YELLOW	16.5	22.8	-0613	6
	13.2	19.5	-0513	5
	9.9	16.2	-0413	4
	6.6	12.9	-0313	3
YELLOW	3.3	9.6	51348-0213	2
COLOR	B	A	PLASTIC BAG オーダー番号 ORDER No.	極数 CIRCUITS

CONNECTOR SERISE No. 51348-**-13

REVISED EC NO: J2010-0281 DRWN:YOSHIKAWA 2009/08/20 CHKD:K.ASAKAWA 2009/08/20 APPR:NUKITA 2009/08/20	GENERAL TOLERANCES (UNLESS SPECIFIED)		DIMENSION STYLE MM ONLY		SCALE ---		DESIGN UNITS METRIC		THIRD ANGLE PROJECTION	
	10 UNDER	±0.2	DRAWN BY T.ODA	DATE 2004/01/19	TITLE 3.3 W/W CONN. RETAINER					
	10 OVER 30 UNDER	±0.25	CHECKED BY S.ICHIKAWA	DATE	MOLEX INCORPORATED					
	30 OVER	±0.3	APPROVED BY Y.IITO	DATE	DOCUMENT NO. SD-51348-002					
A	DESCRIPTION ANGULAR ±3 ° DRAFT WHERE APPLICABLE MUST REMAIN WITHIN DIMENSIONS	MATERIAL NO. SEE CHART		SHEET NO. 1 OF 1		THIS DRAWING CONTAINS INFORMATION THAT IS PROPRIETARY TO MOLEX INCORPORATED AND SHOULD NOT BE USED WITHOUT WRITTEN PERMISSION				