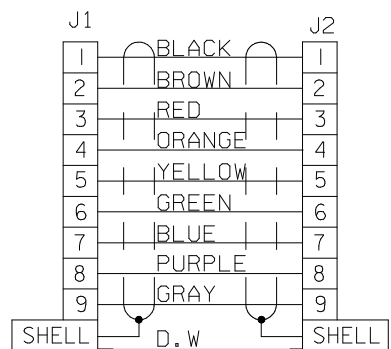
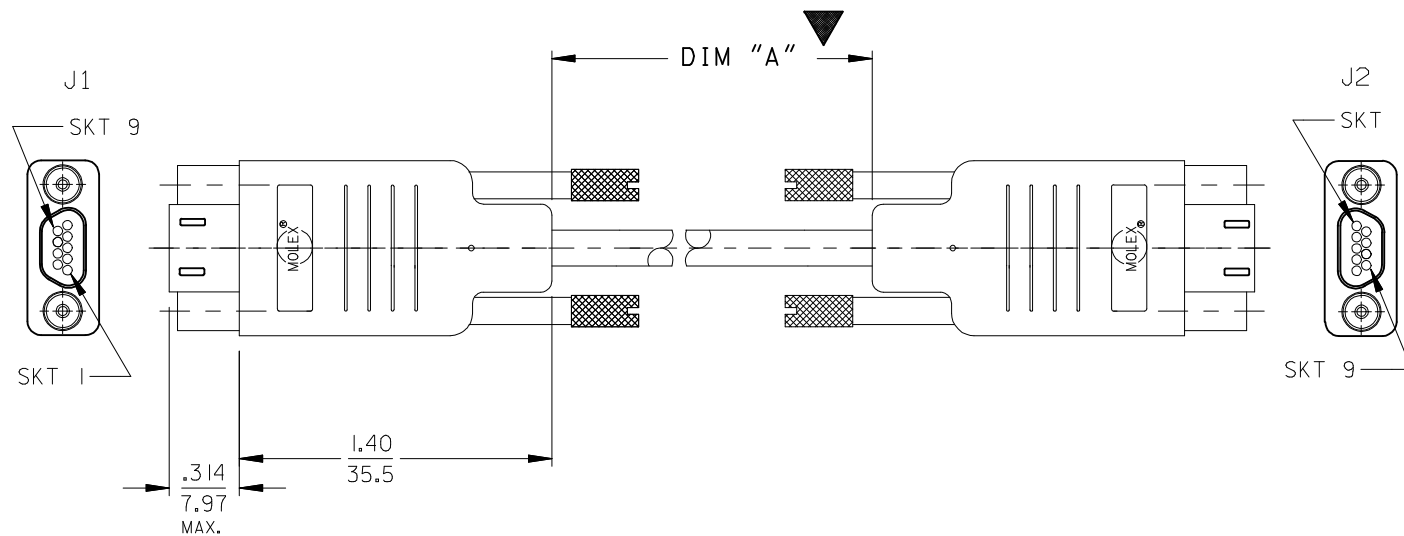


MATERIAL NO.	ENGINEERING NO.	DIM "A" INCH	DIM "A" (MM)
834219238	83421-9238	240+3.00-0.0	6100.0+76.2-00



# SALES DRAWING

RELEASED TO PROD EC NO. ETC2004-0235 DRWN: JAL 04/06/03 CHK: KM 04/06/03 APPR: RWD 04/06/03	DESCRIPTION MAJOR $\nabla = 1$ CRITICAL $\nabla c = 0$	GENERAL TOLERANCES: (UNLESS SPECIFIED)		SCALE NO: NE	DESIGN UNITS <input type="checkbox"/> mm <input checked="" type="checkbox"/> INCH	THIRD ANGLE PROJECTION	DIMENSIONS: <input type="checkbox"/> mm <input checked="" type="checkbox"/> INCH <input type="checkbox"/> mm ONLY	SHT REV
		4 PLACES $\pm 0.$ $\pm .$	DRAWN BY & DATE JAL 02/03/26	TITLE: COMMERCIAL MICRO-D 9 SOCKET CABLE ASSEMBLY				
		3 PLACES $\pm 0.$ $\pm .005$	CHECKED BY & DATE HEB 02/03/27	MOLEX INCORPORATED				
		2 PLACES $\pm 0.13$ $\pm 0.10$	APPROVED BY & DATE RWD 02/03/28	CAD FILENAME SD83421-035.DGN	MATERIAL NO. SEE CHART	DRAWING NO. SD-83421-035	SHEET NO. 1 OF 1	
1 PLACE $\pm 0.3$ $\pm .$	ANGULAR: $\pm 1/2^\circ$	DRAFT WHERE APPLICABLE MUST REMAIN WITHIN DIMENSIONS		THIS DRAWING CONTAINS INFORMATION THAT IS PROPRIETARY TO MOLEX INCORPORATED AND SHOULD NOT BE USED WITHOUT WRITTEN PERMISSION.			SIZE B	