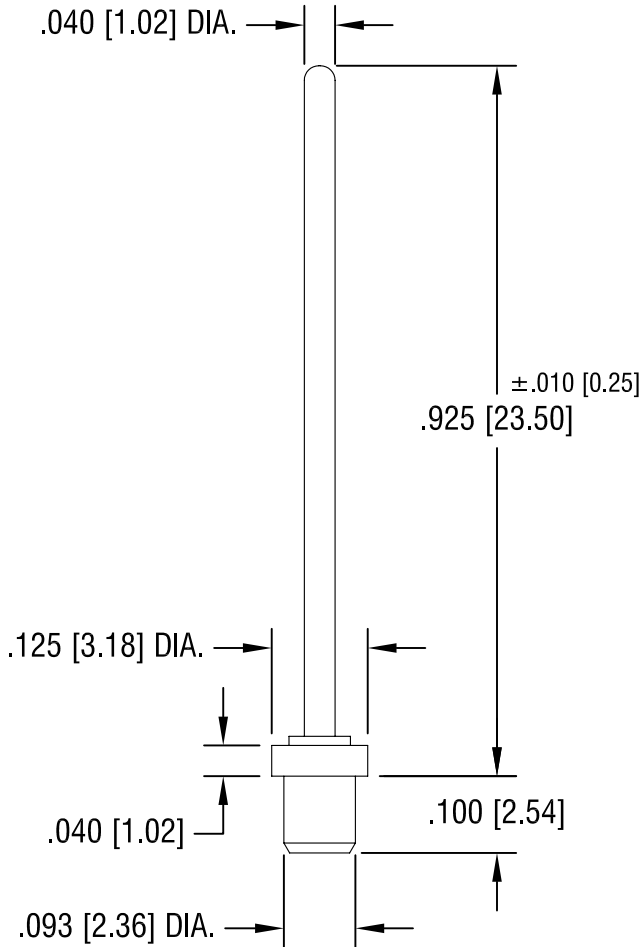
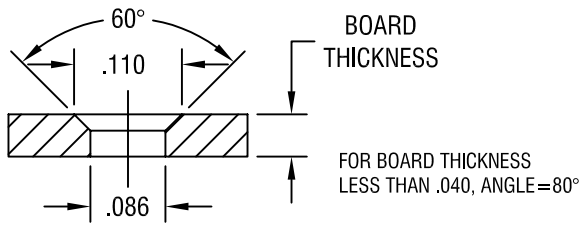


THIS DOCUMENT IS THE PROPERTY OF
KEYSTONE ELECTRONICS CORP. AND
SHALL NOT BE REPRODUCED, DISTRIBUTED
OR USED AS A BASIS FOR MANUFACTURE
WITHOUT PRIOR WRITTEN PERMISSION
FROM KEYSTONE ELECTRONICS CORP.

MOUNTING DETAIL



NOTES:

- 1. PIN: MAT'L - BRASS
FINISH: TIN
- 2. BUSHING: MAT'L - PTFE (TEFLON)
COLOR: WHITE

KEYSTONE ELECTRONICS CORP.

ASTORIA, N.Y. 11105-2017

PART NAME				PTFE INSULATED TERMINAL			
MATERIAL				AS NOTED			
FINISH		AS NOTED		DRN BY	N.T.	DATE	11.02.07
				APP'D	LN	SCALE	4X
TOLERANCES	INCH	[MM]	CODE	DWG NO.			
DECIMAL	± .005	[± 0.15]	C	11066			
ANGULAR ± 1°			UNLESS OTHERWISE SPECIFIED				

DATE	DESCRIPTION	REV.