



New Product Announcement

AP3405

600mA Step-down DC-DC Converter with Synchronous Rectifier

The AP3405 is highly integrated with 2.0MHz fixed frequency, current mode, PWM synchronous buck (step-down) DC-DC converter, and is capable of driving a 600mA load with high efficiency and excellent line and load regulation.

The device's high efficiency is easily configured by using external components.

Current mode control provides fast transient response and cycle-by-cycle current limit.

The AP3405 employs complete protection to ensure system security, including Input Undervoltage Lockout, Overtemperature Protection and hiccup mode Short Circuit Protection.

The device is targeted at cellphone, tablet and netbook applications

AP3405 is available in the space saving, industry standard U-DFN2020-8 package.



The Diodes Advantage

- **Synchronous DCDC Buck Converter with Continued Load Current of 600mA**
 - High Switching Frequency Operation for small external components
 - Current mode control provides fast transient response
 - Excellent high-efficiency line and load regulation
- **Protection**
Cycle-by-cycle current limit, overvoltage protection, undervoltage lock out, overtemperature protection and hiccup mode at short circuit protection.
- **Package – U-DFN2020-8**
Industry standard package

Applications

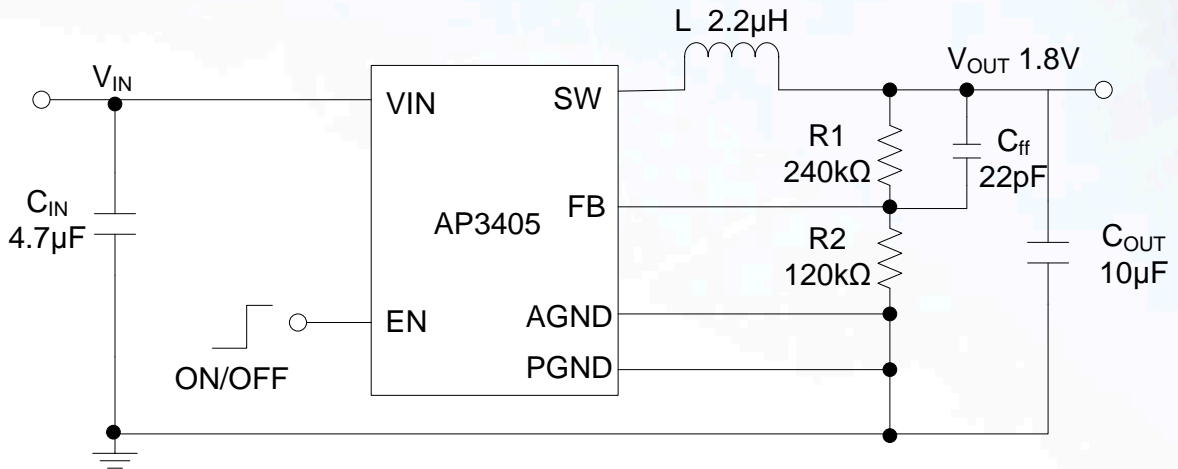
- Cell Phones
- Battery Powered Products
- Wearable Devices



New Product Announcement

AP3405

Typical Application Schematic:



Product Portfolio

Part Number	Input Voltage (V)	Output Voltage (V)	Output Current (A)	Frequency (kHz) typ	Internal Vref (V) typ	Efficiency (%)	Standby Quiescent Current (µA) typ	Operating Ambient Temp Range (°C)	Features						Packages
									Enable Pin	Current Limit Protection	Thermal Shutdown	Adjustable Output Voltage	Undervoltage Lockout	Softstart	
AP3429/A	2.5~5.5	0.7~5.5	2	1000	0.6	95	90	-40 to +85	Y	Y	Y	Y	Y	Y	TSOT25
AP3417C	2.5~5.5	0.7~5.5	1	1500	0.6	95	90	-40 to +85	Y	Y	Y	Y	Y	Y	TSOT25, DFN2020-8
AP3405	2.5~5.5	0.7~5.5	0.6	2000	0.6	95	35	-40 to +85	Y	Y	Y	Y	Y	Y	U-DFN2020-8

Synchronous Rectified Step up Converter Web page : http://diodes.com/catalog/buck_converter_57/

Ordering Information

Device	Package	Identification Code	Reel Size	Quantity
AP3405SHE-7	U-DFN2020-8	2V	7"	30,00