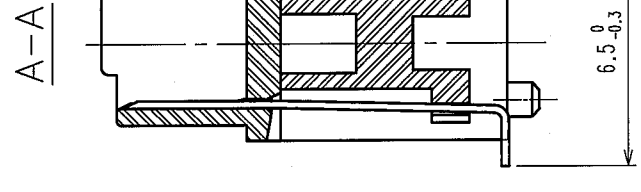
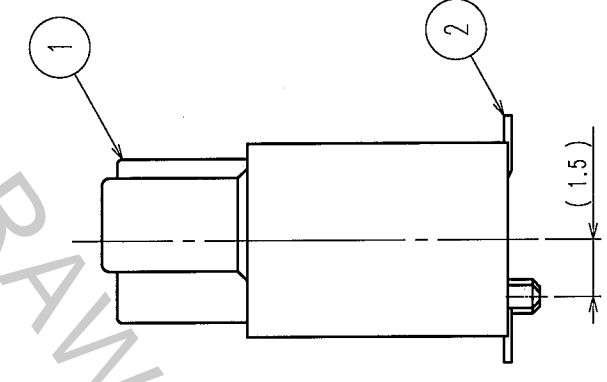
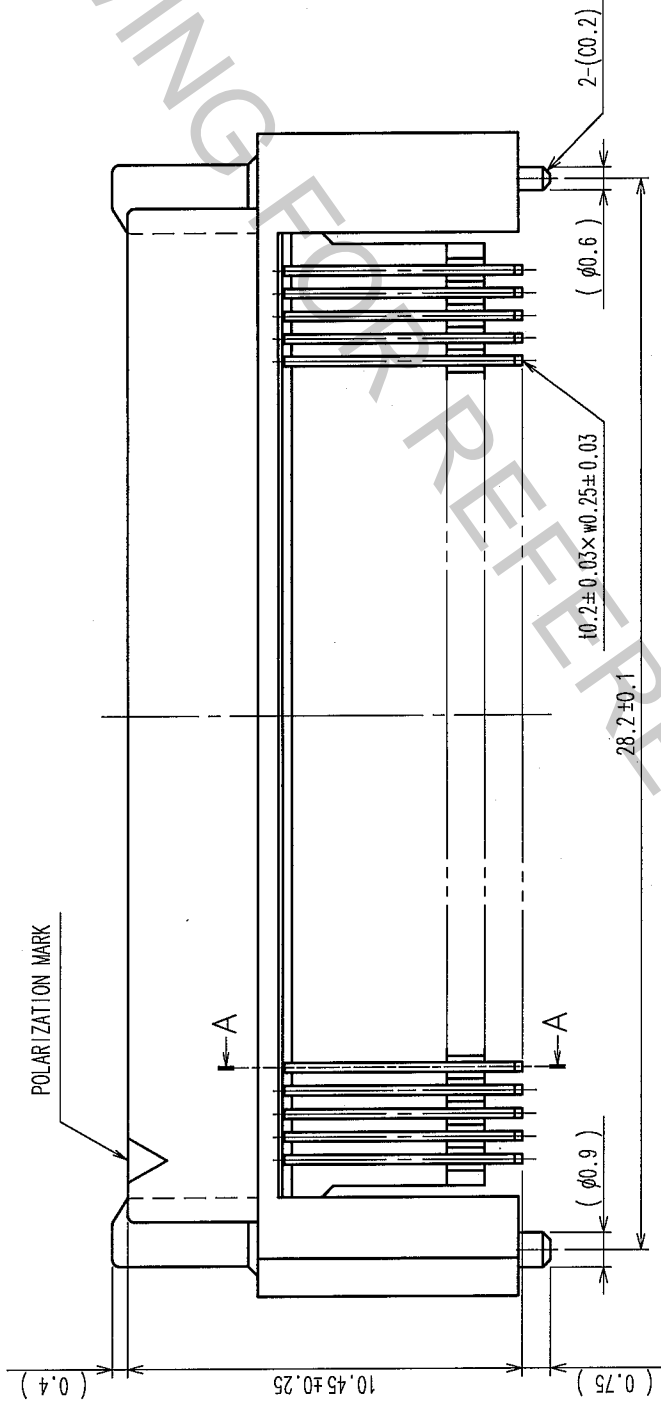
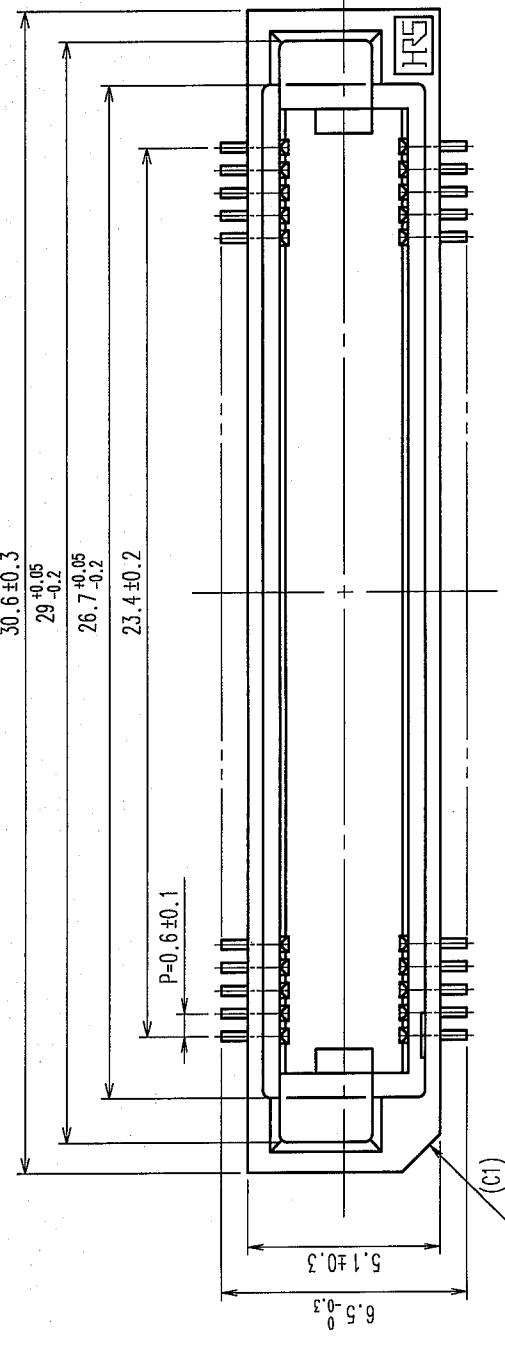
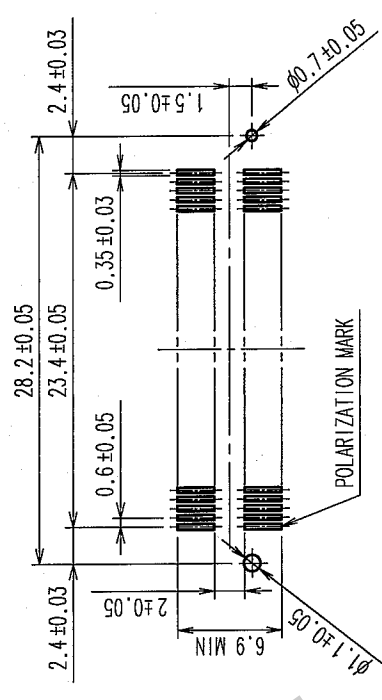


COUNT	DESCRIPTION OF REVISIONS	BY	CHKD	DATE	COUNT	DESCRIPTION OF REVISIONS	BY	CHKD	DATE
△									
△									
△									

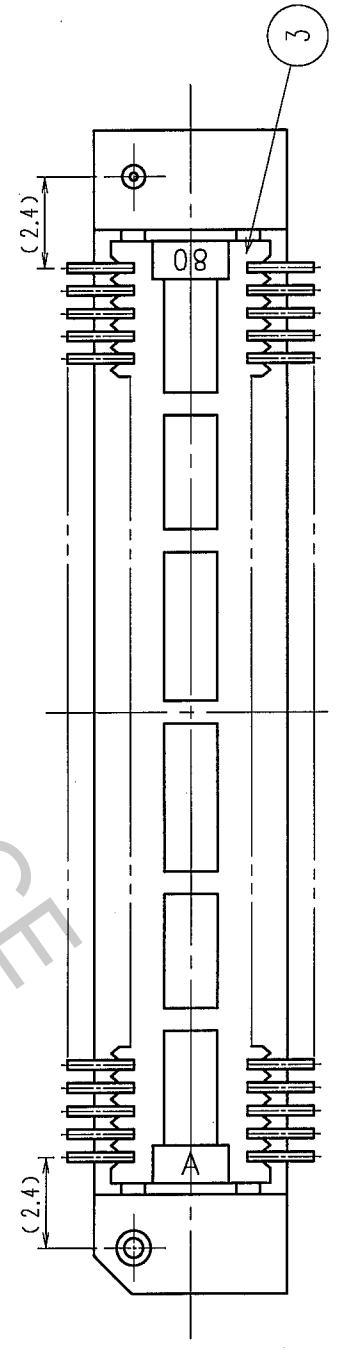
COUNT	DESCRIPTION OF REVISIONS	BY	CHKD	DATE	COUNT	DESCRIPTION OF REVISIONS	BY	CHKD	DATE
△									
△									
△									

8

RECOMMENDED LAND PATTERN DIMENSION OF PCB (MOUNTING SIDE) (2:1)



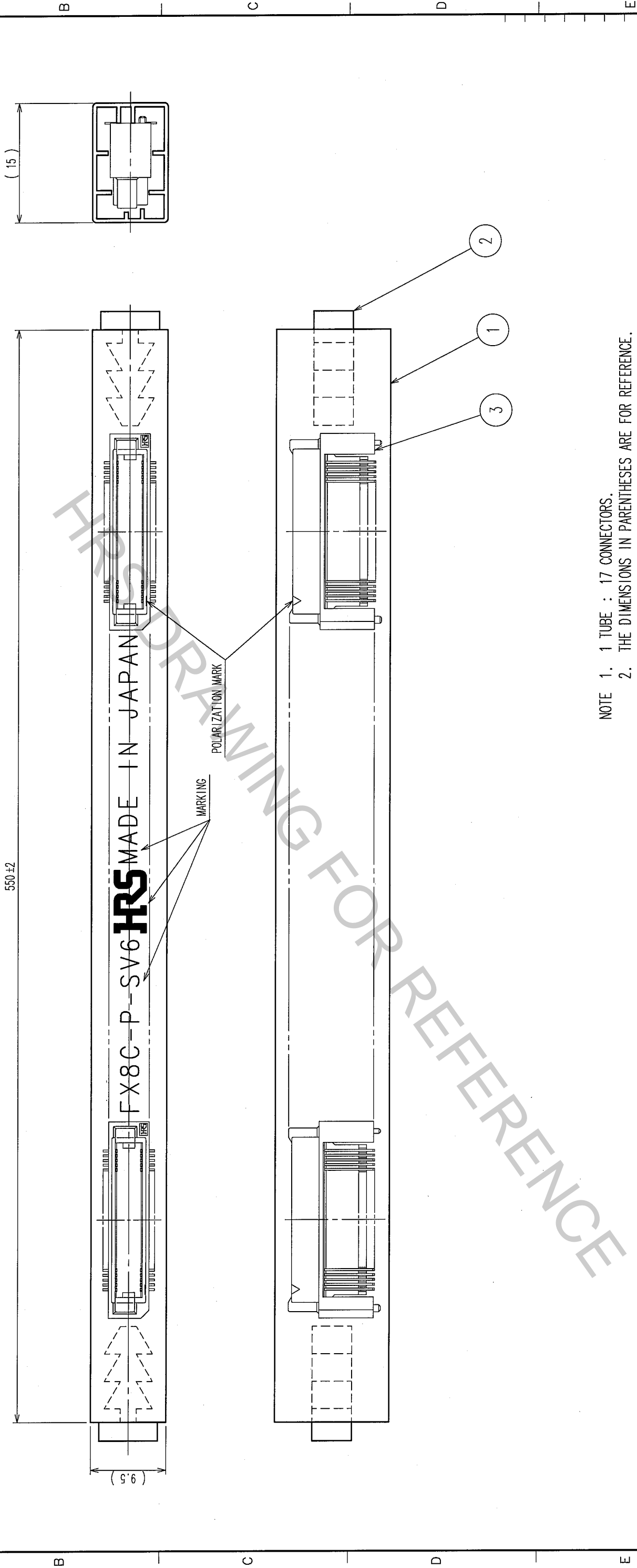
- NOTE 1. LEAD CO-PLANARITY SHALL BE 0.1mm MAX.
 2. TUBE PACKAGING SHALL BE APPLIED FOR THIS PRODUCT.
 SEE NEXT PAGE FOR DETAILS.
 3. FOR MODIFICATION, ETC., PREVENTIVE HOLE FOR SINK MARK MAY BE ADDED ACCORDING TO CIRCUMSTANCES.
 4. THE DIMENSIONS IN PARENTHESES ARE FOR REFERENCE.



1, 3 PPS	LIGHT BROWN (UL94V-0)	2	PHOSPHOR BRONZE	CONTACT AREA: GOLD 0.1µm min. LEAD AREA: TIN-PLATING 1µm min. UNDER PLATING: NICKEL 1µm min.
NO.	MATERIAL	FINISH, REMARKS	NO.	MATERIAL
CODE NO. (OLD) CL		DRAWN S. Kamiga	DESIGNED H. Oyamada	CHECKED H. Oyamada
		'05.11.22	'05.11.22	'05.11.22
DRAWING NO. EDC3-150872-21		PART NO. FX8C-80P-SV6(91)		
SCALE 5:1		CODE NO. CL578-0603-9-91		
UNITS mm		HIROSE ELECTRIC CO., LTD.		

TO
PCK

COUNT		DESCRIPTION OF REVISIONS		BY	CHKD	DATE	COUNT	DESCRIPTION OF REVISIONS		BY	CHKD	DATE
△	△						△					
△	△						△					
△	△						△					



NOTE 1. 1 TUBE : 17 CONNECTORS.
 2. THE DIMENSIONS IN PARENTHESES ARE FOR REFERENCE.

2		POLYVINYL CHLORIDE (STOPPER)		3		(CONNECTOR)	
NO.	MATERIAL	FINISH, REMARKS	NO.	MATERIAL	FINISH, REMARKS	NO.	MATERIAL
1	POLYVINYL CHLORIDE (TUBE)		1	POLYVINYL CHLORIDE (TUBE)			
CODE NO. (OLD) CL		DRAWN S. Kamigata '05.11.22		DESIGNED H. Nakamura '05.11.22		CHECKED T. Ogawa '05.11.22	
SCALE FREE		DRAWING NO. EDC3-150872-21		PART NO. FX8C-80P-SV6(91)		APPROVED H. Okawa '05.11.22	
UNITS mm		HIROSE ELECTRIC CO., LTD		CODE NO. CL578-0603-9-91		RELEASED	

TO	
PCK	



HIROSE ELECTRIC CO., LTD

CL578-0603-9-91

2