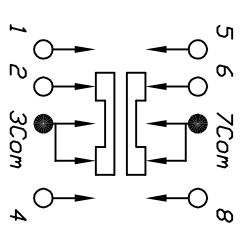
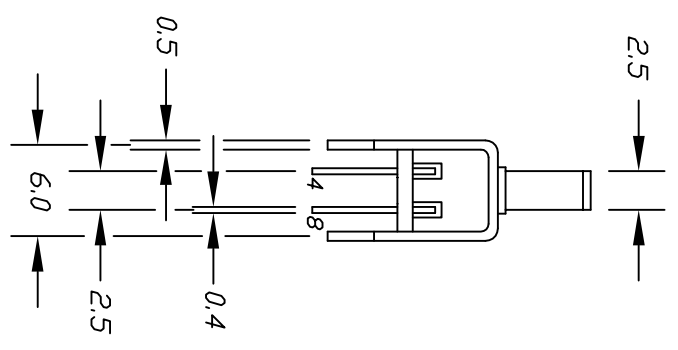
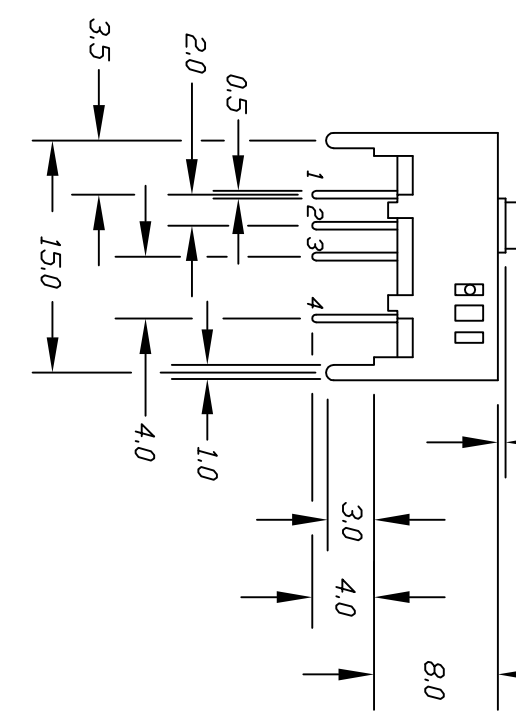


RECOMMEND P.C.B. HOLES



CIRCUIT: DP3T

CONTACT CONFIGURATION		
SWITCH FUNCTION		
PDS. 1	PDS. 2	PDS. 3
3-1	3-2	3-4
7-5	7-6	7-8

- NOTES:
1. ALL DIMENSIONS IN MM [IN]
 2. TERM. NDS. FOR REF ONLY
 3. RATING: DC 30V, 0.2A
 4. TRAVEL: 2.0mm TYP.
 5. INITIAL CONTACT RESISTANCE: 20 milliohms typ.
 6. LIFE CYCLE @FULL LOAD: 10,000 Cycles Typ.
 7. TIMING: NON-SPECIFIED
 8. DWV: 500VAC Terminal To Ground.
 9. 2002/95/EC (ROHS) COMPLIANT



D	REVISED & REDRAWN	1/15/09	BLR
C	REVISED & REDRAWN		
REV.	DESCRIPTION	DATE	CHKD

TOLERANCES		TITLE	
0.0	±0.4	EG 2301A DP3T-Non-Specified	
0.00	±0.25	SCALE	DATE
		2:1	5/11/94
		DR	DWG
		BLR	P040181
		REV	D

THE INFORMATION CONTAINED IN THIS DOCUMENT IS PROPRIETARY TO E-SWITCH AND IS NOT TO BE COPIED OR TRANSFERRED