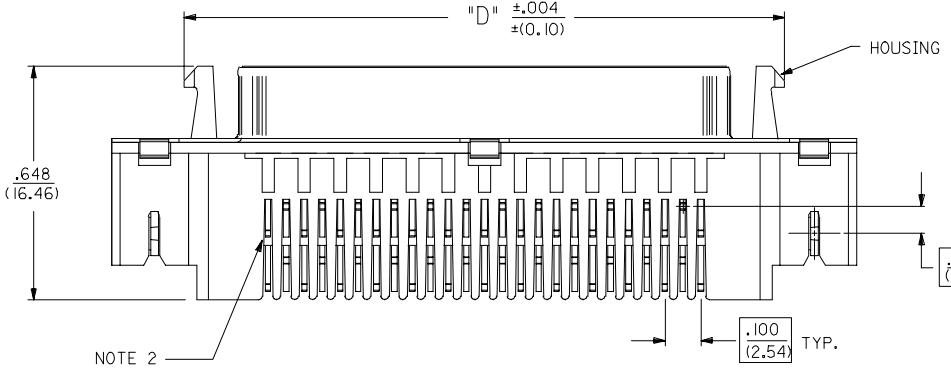
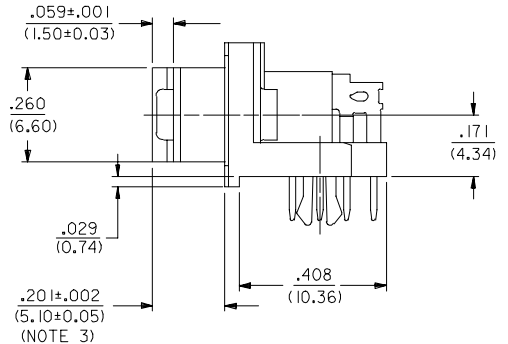
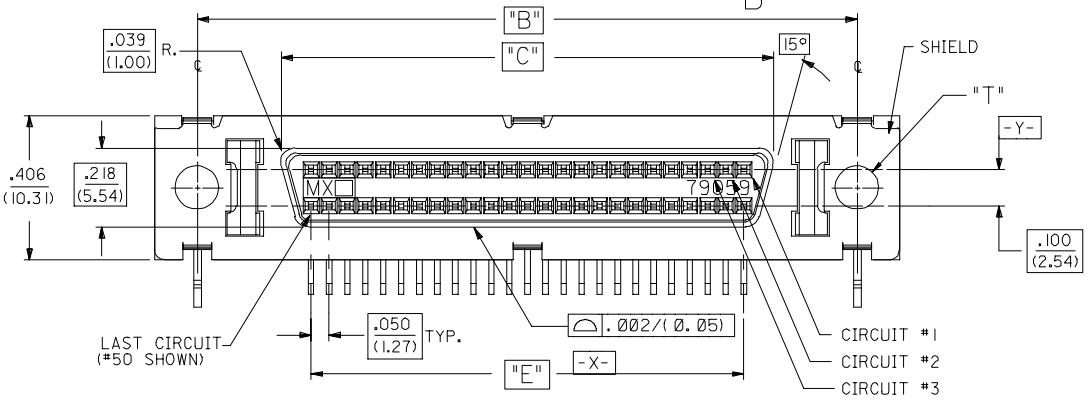
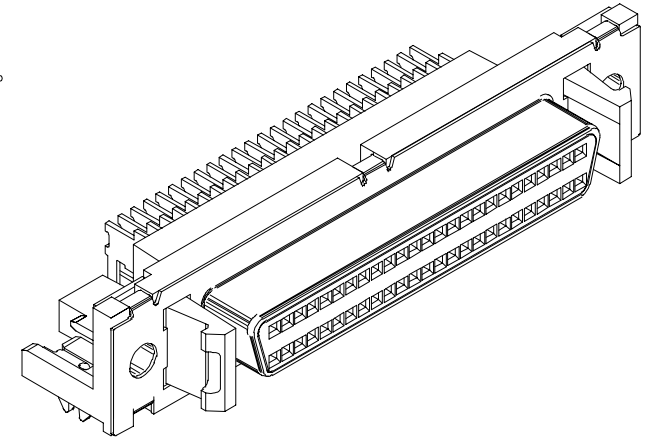
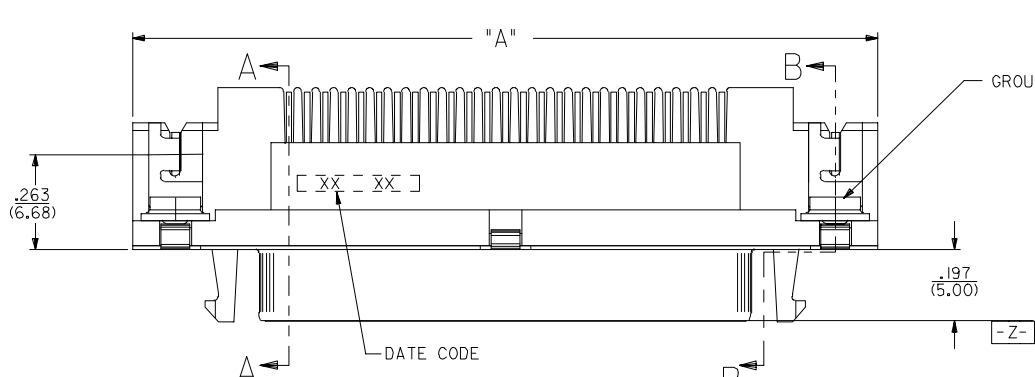


13 12 11 10 9 8 7 6 5 4 3 2 1

J  
I  
H  
G  
F  
E  
D  
C  
B  
A

J  
I  
H  
G  
F  
E  
D  
C  
B  
A



- NOTES:**
- SEE SHEET 4 & 5 FOR CHARTED DIMENSIONS AND PART NUMBERS.
  - FOR FIXED TAIL / PCB PATTERN AT LAST CIRCUIT POSITIONS REFER TO SECTION A-A ON SHEET 2 AND PCB LAYOUTS ON SHEET 3.
  - THIS DIMENSION TO MEET SPECIFICATIONS AFTER SHIELD IS FULLY SEATED TO HOUSING AS A RESULT OF A BRACKET OR PANEL.
  - REFER TO PS-79058 PRODUCT SPEC. FOR ELECTRICAL, MECHANICAL AND ENVIRONMENTAL SPECIFICATIONS.
  - MATERIAL:  
RECEPTACLE HOUSING: GLASS FILLED LIQUID CRYSTAL POLYMER; COLOR-BLACK; UL 94V-0  
CONTACTS: PHOSPHOR BRONZE  
SHIELD: STEEL WITH BRIGHT NICKEL OVER COPPER FLASH (OPTIONAL)  
GROUNDING CLIP: BRASS WITH TIN OVER NICKEL PLATE
  - PACKAGING:  
PARTS PACKAGED IN TUBES PER PK-70873-0207

5	T
4	T
3	S
2	S
1	T
SHT.	REV.

**TERMINAL FINISH:**  
SELECTIVE GOLD: THICKNESS= 30 MICROINCHES/(0.76 MICROMETERS) MINIMUM.  
SELECTIVE TIN: THICKNESS= 75 MICROINCHES/(1.90 MICROMETERS) MINIMUM.  
NICKEL UNDERPLATE OVERALL.

**NOTE FOR LEAD FREE CONVERSION:**  
THE PRIMARY SHIPPING CARTON WILL BE LABELED 'COMPLIANT TO ROHS DIRECTIVE 2002/95/EC AND ELV ANNEX II OF DIRECTIVE 2000/53/EC'. CARTONS WITHOUT THIS LABEL MAY CONTAIN PRODUCT WITH LEAD.

REMOVE OBSOLETEL #S	QUALITY SYMBOLS
FC NO: UCP2006-2901	▽=0
DRWN:MS/BARRA 2006/06/12	▽=0
CHKD:BBARKER 2006/06/12	
APPR:SMILLER 2006/06/14	
REV	DESCRIPTION

GENERAL TOLERANCES (UNLESS SPECIFIED)	
	mm
	INCH
4 PLACES	± --- ± ---
3 PLACES	± --- ± .005
2 PLACES	± 0.13 ± ---
1 PLACE	± --- ± ---
ANGULAR ±1/2°	

DIMENSION STYLE	
IN/MM	DATE
DRAWN BY	JLONG 03/27/1989
CHECKED BY	DATE
BOWEN 03/27/1989	
APPROVED BY	DATE
DJB 03/27/1989	
MATERIAL NO.	DOCUMENT NO.
SEE TABLE	SDA-79059-2***

SCALE 4:1 DESIGN UNITS INCH

THIRD ANGLE PROJECTION

**SCSI SHIELDED RECEPTACLE ASSEMBLY WITH LATCHES**

**MOLEX MOLEX INCORPORATED**

MATERIAL NO. SDA-79059-2\*\*\* DOCUMENT NO. SHEET NO. 1 OF 5

DRAFT WHERE APPLICABLE MUST REMAIN WITHIN DIMENSIONS

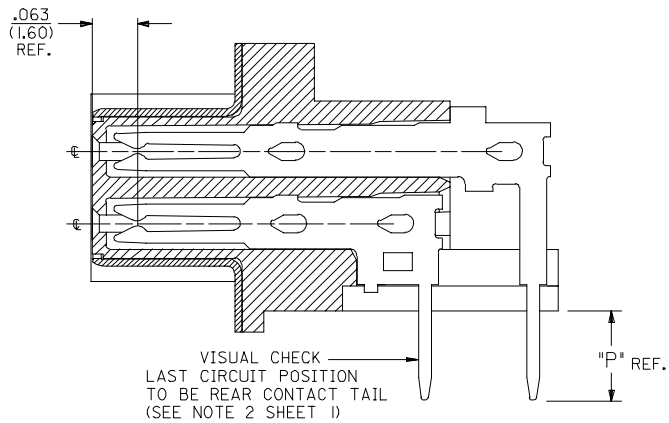
THIS DRAWING CONTAINS INFORMATION THAT IS PROPRIETARY TO MOLEX INCORPORATED AND SHOULD NOT BE USED WITHOUT WRITTEN PERMISSION

12 11 10 9 8 7 6 5 4 3 2 1

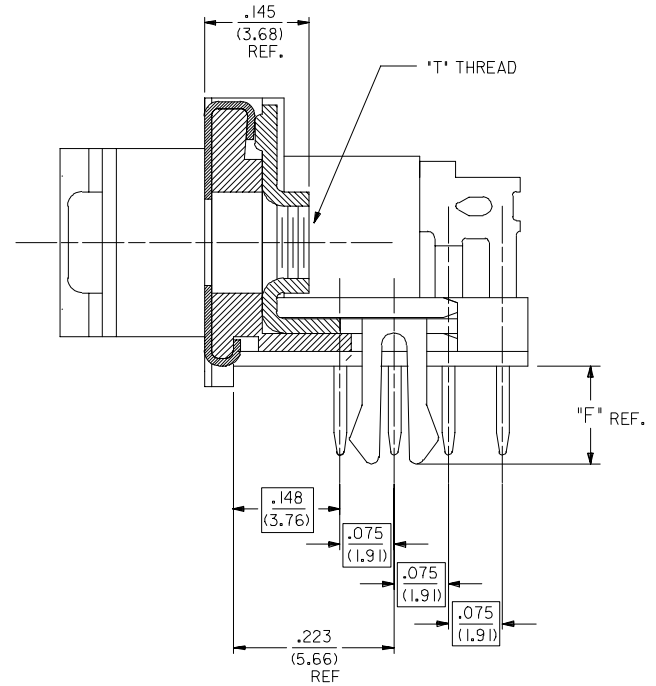
13 12 11 10 9 8 7 6 5 4 3 2 1

J  
I  
H  
G  
F  
E  
D  
C  
B  
A

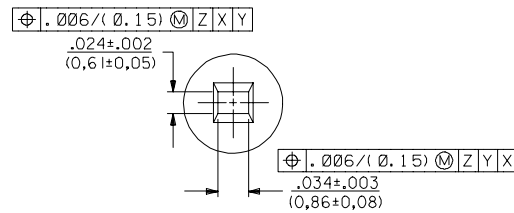
J  
I  
H  
G  
F  
E  
D  
C  
B  
A



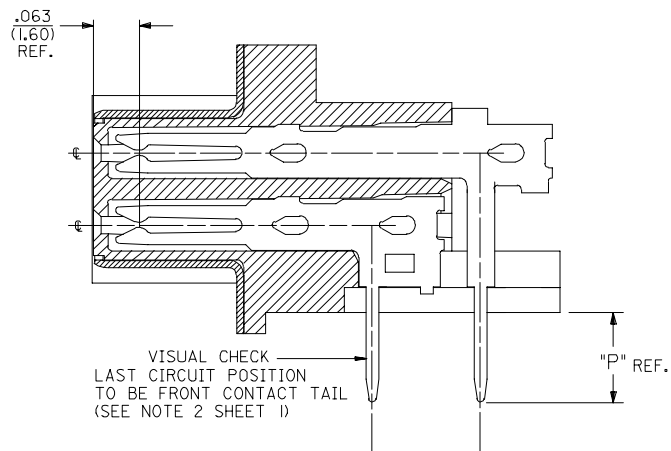
SECTION A-A  
68 CIRCUIT TYPE II TAIL VERSION  
50 CIRCUIT



SECTION B-B



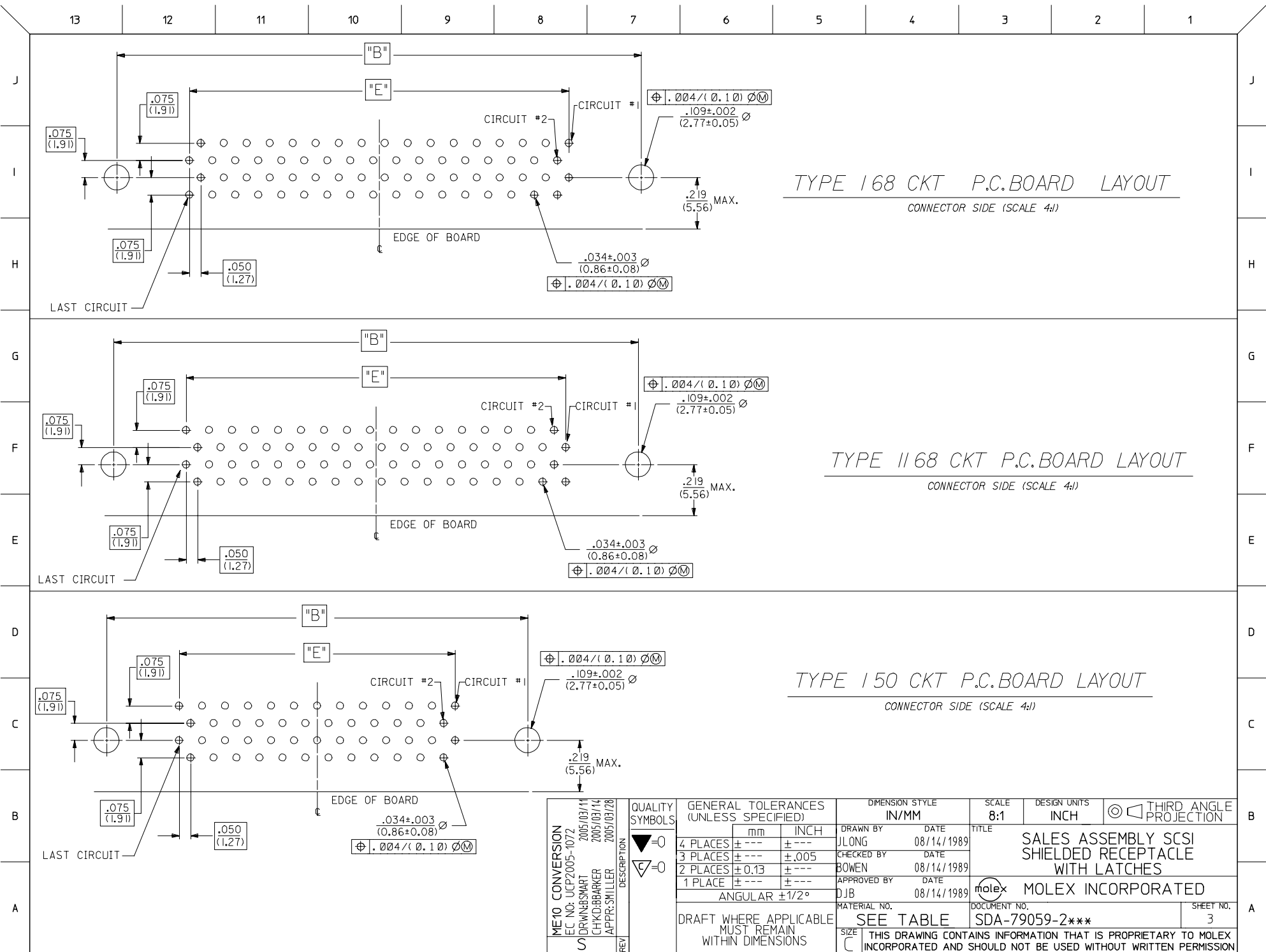
PIN WINDOW DETAIL  
SCALE 10:1



SECTION A-A  
68 CIRCUIT TYPE I TAIL VERSION ONLY

CHG TYPE I & II DESC EC NO: UCP2005-1072 DRWNSMART 2005/03/11 CHKD:BBARKER 2005/03/14 APPR:SMILLER 2005/03/28	QUALITY SYMBOLS ▽=0 ▽=0	GENERAL TOLERANCES (UNLESS SPECIFIED) mm INCH 4 PLACES ± --- ± --- 3 PLACES ± --- ± .005 2 PLACES ± 0.13 ± --- 1 PLACE ± --- ± --- ANGULAR ±1/2°	DIMENSION STYLE IN/MM DRAWN BY JLONG DATE 04/14/1989 CHECKED BY BOWEN DATE 04/14/1989 APPROVED BY DJB DATE 04/14/1989	SCALE 8:1 DESIGN UNITS INCH THIRD ANGLE PROJECTION	TITLE SALES ASSEMBLY SCS1 SHIELDED RECEPTACLE WITH LATCHES MOLEX MOLEX INCORPORATED
	MATERIAL NO. SEE TABLE DOCUMENT NO. SDA-79059-2*** SHEET NO. 2	DRAFT WHERE APPLICABLE MUST REMAIN WITHIN DIMENSIONS			
	THIS DRAWING CONTAINS INFORMATION THAT IS PROPRIETARY TO MOLEX INCORPORATED AND SHOULD NOT BE USED WITHOUT WRITTEN PERMISSION				
	SIZE C				
	REV DESCRIPTION				

12 11 10 9 8 7 6 5 4 3 2 1



TYPE 168 CKT P.C.BOARD LAYOUT  
CONNECTOR SIDE (SCALE 4:1)

TYPE 1168 CKT P.C.BOARD LAYOUT  
CONNECTOR SIDE (SCALE 4:1)

TYPE 150 CKT P.C.BOARD LAYOUT  
CONNECTOR SIDE (SCALE 4:1)

ME10 CONVERSION FC NO: UCP2005-1072 2005/03/14 DRAWN BY: CHIKIDIBARKER 2005/03/14 APPR: SMILLER 2005/03/28	QUALITY SYMBOLS ▽=0 ▽=0
------------------------------------------------------------------------------------------------------------------------------	-------------------------------

GENERAL TOLERANCES (UNLESS SPECIFIED)	
mm	INCH
4 PLACES ± .005	± .0005
3 PLACES ± .005	± .0005
2 PLACES ± 0.13	± .005
1 PLACE ± .005	± .0005
ANGULAR ±1/2°	

DIMENSION STYLE	
IN/MM	
DRAWN BY	DATE
JLONG	08/14/1989
CHECKED BY	DATE
BOWEN	08/14/1989
APPROVED BY	DATE
DJB	08/14/1989

SCALE 8:1	DESIGN UNITS INCH	THIRD ANGLE PROJECTION
TITLE		
SALES ASSEMBLY SCSI SHIELDED RECEPTACLE WITH LATCHES		
MATERIAL NO. SDA-79059-2***		SHEET NO. 3
MATERIAL NO. SDA-79059-2***		
DRAWING CONTAINS INFORMATION THAT IS PROPRIETARY TO MOLEX INCORPORATED AND SHOULD NOT BE USED WITHOUT WRITTEN PERMISSION		

TYPE II TAIL PATTERN

ASSEMBLIES WITH .078 DIAMETER END HOLES IN HOUSING AND #2-56 GND CLIPS

J	EDP/ITEM NUMBER	CKT. SIZE	HOUSING HOLE DIA.	DIM. T GND CLIP THREAD	DIM. A		DIM. B		DIM. C		DIM. D		DIM. E		DIM. F		DIM. P		RECMD PCB	
					INCH	MM	INCH	MM	INCH	MM	INCH	MM	INCH	MM	INCH	MM	INCH	MM	INCH	MM
	015-87-6023	68	.078	2-56	2.515	63.88	2.280	57.91	1.816	46.13	2.115	53.72	1.650	41.91	.105	2.67	.125	3.18	.062	1.57
X		68	.078	2-56	2.515	63.88	2.280	57.91	1.816	46.13	2.115	53.72	1.650	41.91	.136	3.45	.125	3.18	.093	2.36

ASSEMBLIES WITH .105 DIAMETER END HOLES IN HOUSING AND #4-40 AND CUSTOM GND CLIPS

H	EDP/ITEM NUMBER	CKT. SIZE	HOUSING HOLE DIA.	DIM. T GND CLIP THREAD	DIM. A		DIM. B		DIM. C		DIM. D		DIM. E		DIM. F		DIM. P		RECMD PCB	
					INCH	MM	INCH	MM	INCH	MM	INCH	MM	INCH	MM	INCH	MM	INCH	MM	INCH	MM
	015-87-6020	68	.105	4-40	2.515	63.88	2.280	57.91	1.816	46.13	2.115	53.72	1.650	41.91	.105	2.67	.125	3.18	.062	1.57
X		68	.105	4-40	2.515	63.88	2.280	57.91	1.816	46.13	2.115	53.72	1.650	41.91	.136	3.45	.125	3.18	.093	2.36

X- NOT TOOLED

TYPE I TAIL PATTERN

ASSEMBLIES WITH .078 DIAMETER END HOLES IN HOUSING AND #2-56 GND CLIPS

E	EDP/ITEM NUMBER	CKT. SIZE	HOUSING HOLE DIA.	DIM. T GND CLIP THREAD	DIM. A		DIM. B		DIM. C		DIM. D		DIM. E		DIM. F		DIM. P		RECMD PCB	
					INCH	MM	INCH	MM	INCH	MM	INCH	MM	INCH	MM	INCH	MM	INCH	MM	INCH	MM
	79059-2900	68	.078	2-56	2.515	63.88	2.280	57.91	1.816	46.13	2.115	53.72	1.650	41.91	.105	2.67	.125	3.18	.062	1.57
X		50	.078	2-56	2.065	52.54	1.830	46.48	1.366	34.69	1.665	42.29	1.200	30.48	.136	3.45	.125	3.18	.093	2.36
	015-87-6010	50	.078	2-56	2.065	52.54	1.830	46.48	1.366	34.69	1.665	42.29	1.200	30.48	.105	2.67	.125	3.18	.062	1.57

ASSEMBLIES WITH .105 DIAMETER END HOLES IN HOUSING AND #4-40 AND CUSTOM GND CLIPS

D	EDP/ITEM NUMBER	CKT. SIZE	HOUSING HOLE DIA.	DIM. T GND CLIP THREAD	DIM. A		DIM. B		DIM. C		DIM. D		DIM. E		DIM. F		DIM. P		RECMD PCB	
					INCH	MM	INCH	MM	INCH	MM	INCH	MM	INCH	MM	INCH	MM	INCH	MM	INCH	MM
X		50	.105	4-40	2.065	52.54	1.830	46.48	1.366	34.69	1.665	42.29	1.200	30.48	.136	3.45	.125	3.18	.093	2.36
	015-87-6050	50	.105	4-40	2.065	52.54	1.830	46.48	1.366	34.69	1.665	42.29	1.200	30.48	.105	2.67	.125	3.18	.062	1.57

X- NOT TOOLED

NOTE: ASSEMBLIES LISTED ON THIS SHEET HAVE A SMALLER HOLE DIAMETER FOR INSERTION OF SCREWLOCKS USING A POWER DRIVER.

REMOVE OBSOLETE #S FC NO: UCP2006-2901 DRAWN BY: BARRA 2006/06/12 CHK'D: BARKER 2006/06/12 APPR: SMILLER 2006/06/14 REV:	QUALITY SYMBOLS = 0 = 0	GENERAL TOLERANCES (UNLESS SPECIFIED)		DIMENSION STYLE IN/MM		SCALE ---	DESIGN UNITS INCH	THIRD ANGLE PROJECTION			
		4 PLACES ± --- INCH 3 PLACES ± --- INCH 2 PLACES ± --- INCH 1 PLACE ± --- INCH	4 PLACES ± --- MM 3 PLACES ± --- MM 2 PLACES ± --- MM 1 PLACE ± --- MM	DRAWN BY DCB	DATE 08/15/1991	TITLE SALES ASSEMBLY SCSI SHIELDED RECEPTACLE WITH LATCHES					
		ANGULAR ±1/2°		CHECKED BY CAB	DATE 08/15/1991	APPROVED BY CAB					
		DRAFT WHERE APPLICABLE MUST REMAIN WITHIN DIMENSIONS		MATERIAL NO. SEE TABLE	DATE 08/15/1991	MOLEX INCORPORATED				DOCUMENT NO. SDA-79059-2***	SHEET NO. 4

TYPE II TAIL PATTERN

ASSEMBLIES WITH .120 DIAMETER END HOLES IN HOUSING AND #4-40 GND CLIPS

J	EDP/ITEM NUMBER	CKT. SIZE	HOUSING HOLE DIA.	DIM. T GND CLIP THREAD	DIM. A		DIM. B		DIM. C		DIM. D		DIM. E		DIM. F		DIM. P		RECMD PCB	
					INCH	MM	INCH	MM	INCH	MM	INCH	MM	INCH	MM	INCH	MM	INCH	MM	INCH	MM
	79059-2702	68	.120	4-40	2.515	63.88	2.280	57.91	1.816	46.13	2.115	53.72	1.650	41.91	.105	2.67	.125	3.18	.062	1.57
X		68	.120	4-40	2.515	63.88	2.280	57.91	1.816	46.13	2.115	53.72	1.650	41.91	.136	3.45	.125	3.18	.093	2.36

ASSEMBLIES WITH .120 DIAMETER END HOLES IN HOUSING AND #2-56 AND CUSTOM GND CLIPS

X		68	.120	2-56	2.515	63.88	2.280	57.91	1.816	46.13	2.115	53.72	1.650	41.91	.105	2.67	.125	3.18	.062	1.57
X		68	.120	2-56	2.515	63.88	2.280	57.91	1.816	46.13	2.115	53.72	1.650	41.91	.136	3.45	.125	3.18	.093	2.36

X - NOT TOOLED

TYPE I TAIL PATTERN

ASSEMBLIES WITH .120 DIAMETER END HOLES IN HOUSING AND #4-40 GND CLIPS

G	EDP/ITEM NUMBER	CKT. SIZE	HOUSING HOLE DIA.	DIM. T GND CLIP THREAD	DIM. A		DIM. B		DIM. C		DIM. D		DIM. E		DIM. F		DIM. P		RECMD PCB	
					INCH	MM	INCH	MM	INCH	MM	INCH	MM	INCH	MM	INCH	MM	INCH	MM	INCH	MM
	79059-2701	50	.120	4-40	2.065	52.54	1.830	46.48	1.366	34.69	1.665	42.29	1.200	30.48	.105	2.67	.125	3.18	.062	1.57
X		50	.120	4-40	2.065	52.54	1.830	46.48	1.366	34.69	1.665	42.29	1.200	30.48	.136	3.45	.125	3.18	.093	2.36

ASSEMBLIES WITH .120 DIAMETER END HOLES IN HOUSING AND #2-56 AND CUSTOM GND CLIPS

X		50	.120	2-56	2.065	52.54	1.830	46.48	1.366	34.69	1.665	42.29	1.200	30.48	.105	2.67	.125	3.18	.062	1.57
X		50	.120	2-56	2.065	52.54	1.830	46.48	1.366	34.69	1.665	42.29	1.200	30.48	.136	3.45	.125	3.18	.093	2.36

X - NOT TOOLED

NOTE: ASSEMBLIES LISTED ON THIS SHEET HAVE A LARGER HOLE DIAMETER FOR INSERTION OF SCREWLOCKS USING A MANUAL DRIVER.

REMOVE OBSOLETED #S FC NO. UCP2006-2901 DRAWN BY: BARRA 2006/06/12 CHKD: BARKER 2006/06/12 APPR: SMILLER 2006/06/14	QUALITY SYMBOLS ▽=0 ▽=0	GENERAL TOLERANCES (UNLESS SPECIFIED)		DIMENSION STYLE IN/MM		SCALE ---	DESIGN UNITS INCH	THIRD ANGLE PROJECTION			
		mm	INCH	DRAWN BY	DATE	TITLE					
		4 PLACES ± ---	± ---	JLONG	01/28/1997	SALES ASSEMBLY SCSI SHIELDED RECEPTACLE WITH LATCHES					
		3 PLACES ± ---	± ---	CHECKED BY	DATE	MOLEX INCORPORATED					
2 PLACES ± ---	± ---	JLONG	01/28/1997	APPROVED BY		DATE	MATERIAL NO.			DOCUMENT NO.	SHEET NO.
1 PLACE ± ---	± ---	ANGULAR ±1/2°		DJB	01/28/1997	SEE TABLE		SDA-79059-2***	5		
DRAFT WHERE APPLICABLE MUST REMAIN WITHIN DIMENSIONS		SIZE		THIS DRAWING CONTAINS INFORMATION THAT IS PROPRIETARY TO MOLEX INCORPORATED AND SHOULD NOT BE USED WITHOUT WRITTEN PERMISSION							