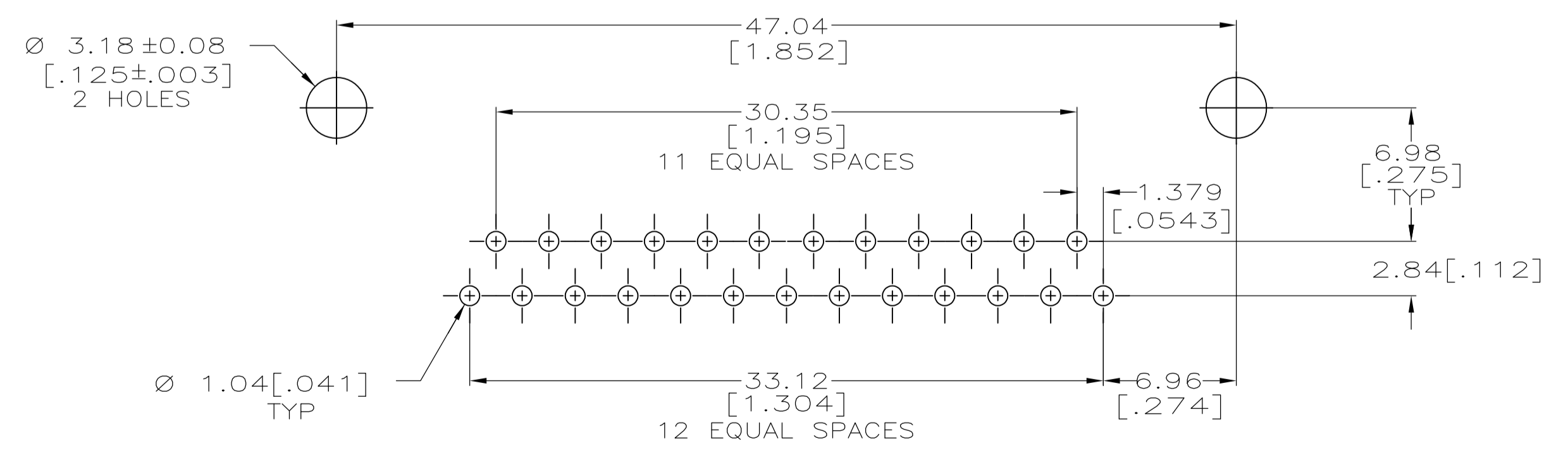
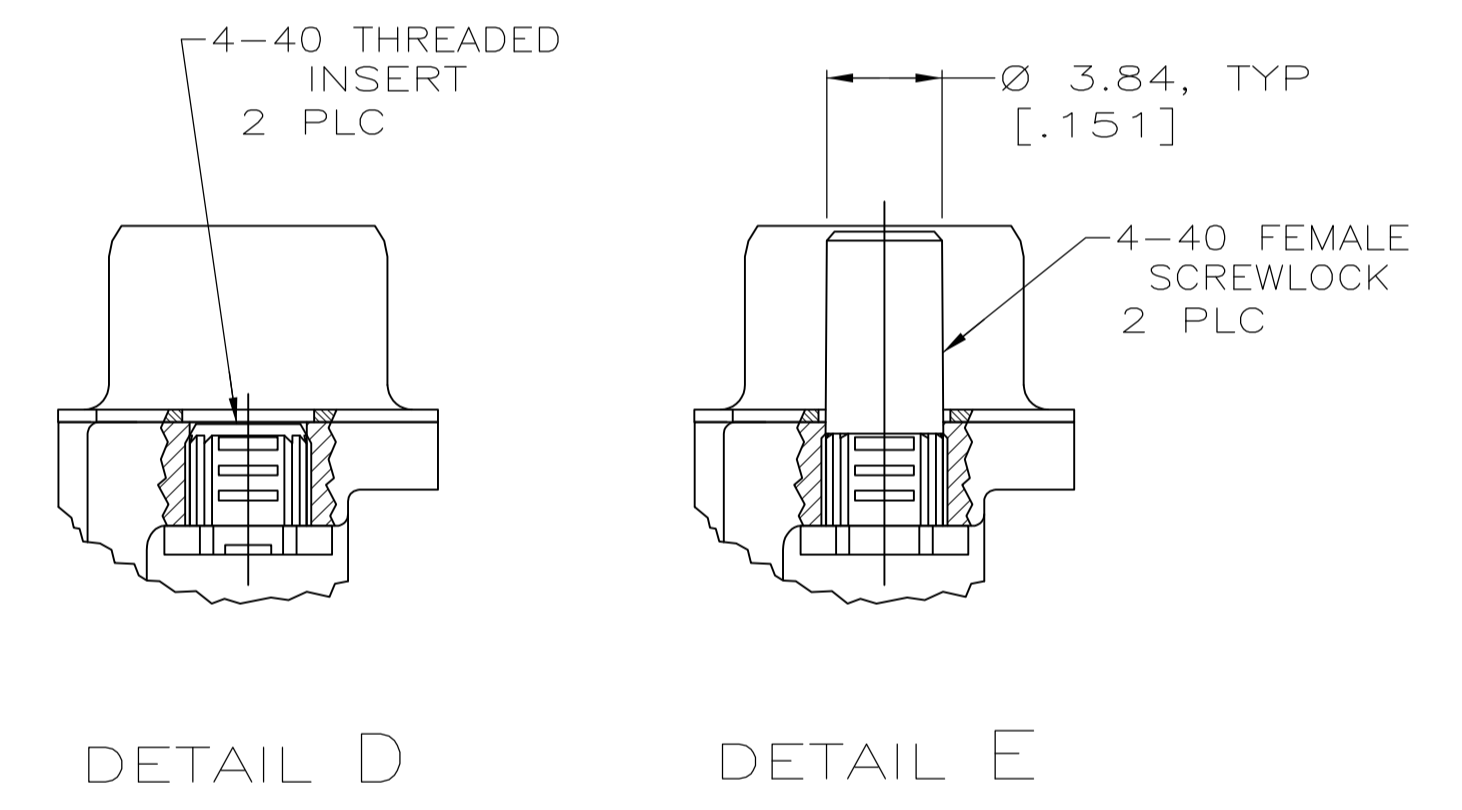
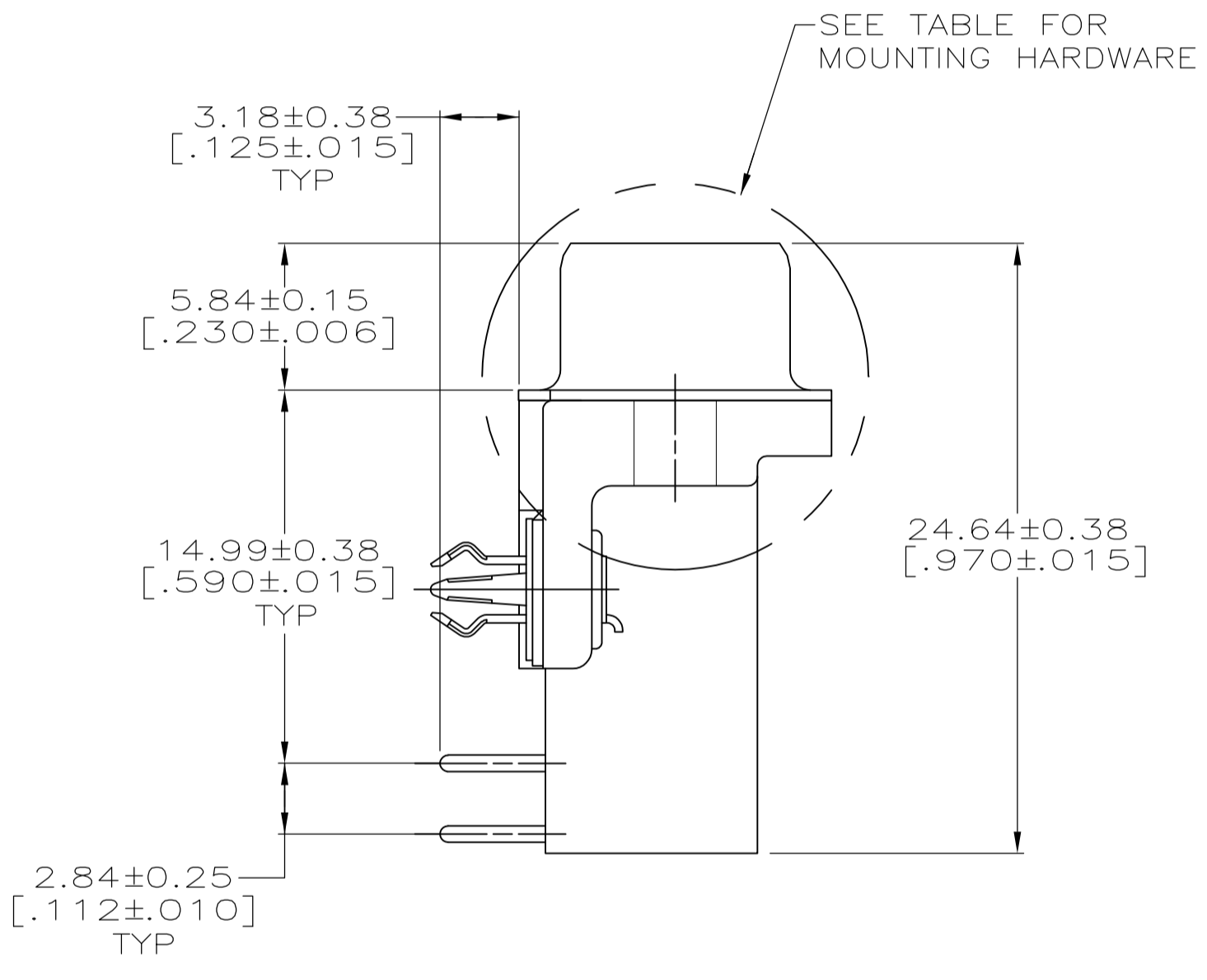
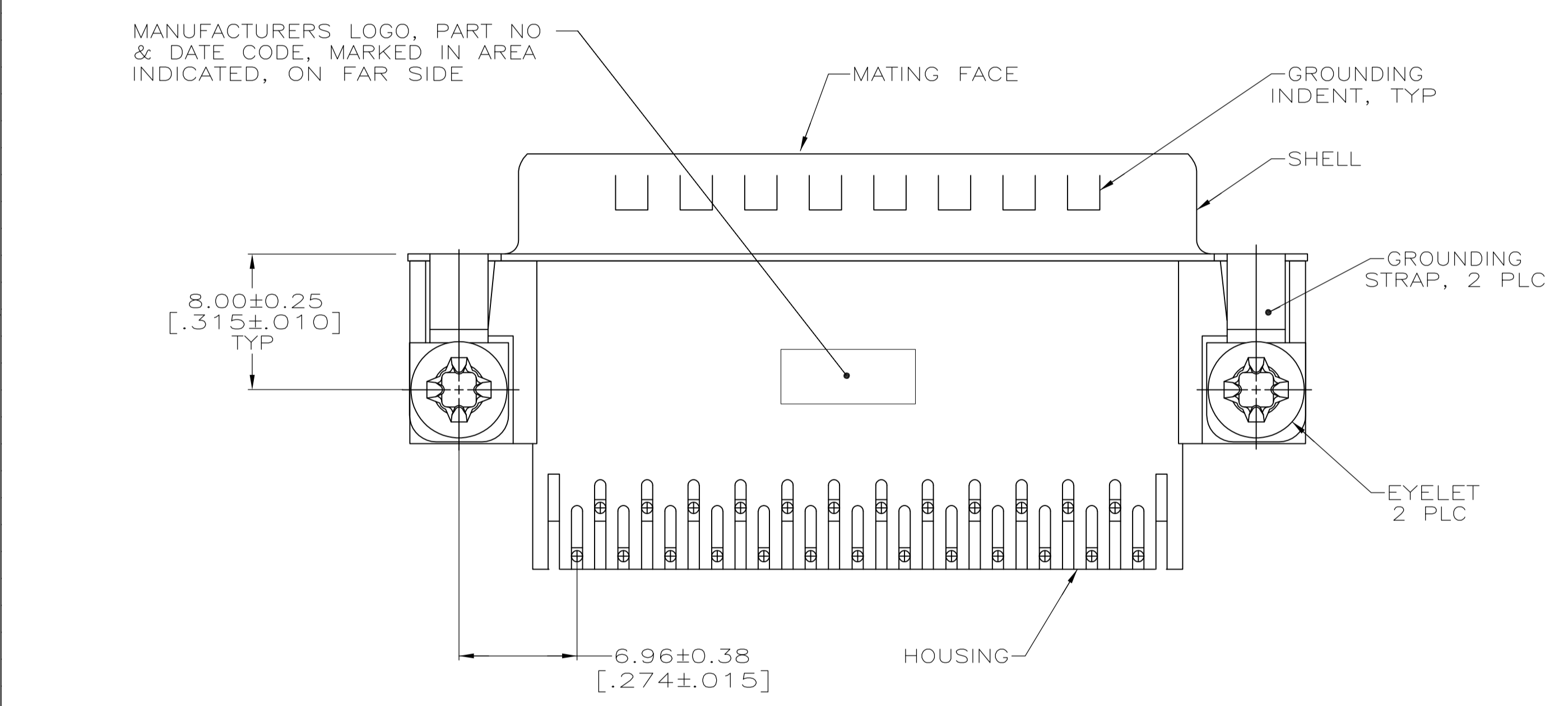


- 1 HOUSING: NYLON OR POLYESTER, FLAME RETARDANT, UL 94V-0 RATED, GLASS FILLED, BLACK.
CONTACTS: BRASS
SHELL: CARBON STEEL
EYELETS: BRASS.
BOARDLOCKS: COPPER ALLOY
SCREWLOCKS & INSERTS: ZINC
- 2 SHELL: 2.54µm [.000100] MIN TIN OVER 1.27µm [.000050] MIN COPPER.
EYELETS: 2.54µm [.000100] MIN TIN OVER COPPER FLASH.
BOARDLOCKS: 3.81µm [.000150] MIN TIN OVER 1.27µm [.000050] MIN NICKEL.
CONTACTS: 0.76µm [.000030] MIN GOLD PLATE ON THE MATING SURFACES,
2.54µm [.000100] MIN TIN PLATE ON THE SOLDER END,
1.27µm [.000050] MIN NICKEL UNDERPLATE ON THE ENTIRE CONTACT
-OR-
GOLD FLASH OVER PALLADIUM-NICKEL PLATE, 0.76µm [.000030] MIN TOTAL ON THE MATING SURFACES, 2.54µm [.000100] MIN TIN PLATE ON THE SOLDER END, 1.27µm [.000050] MIN NICKEL UNDERPLATE ON THE ENTIRE CONTACT.
SCREWLOCKS & INSERTS: CLEAR CHROMATE.



SEE DETAIL E	5747834-6
SEE DETAIL D	5747834-4
MOUNTING HARDWARE	PART NUMBER

COPYRIGHT 2005
TYCO ELECTRONICS CORP
ALL RIGHTS RESERVED

THIS DRAWING IS A CONTROLLED DOCUMENT. DIMENSIONING AND TOLERANCING PER ASME Y14.5M-2009		DIN G. ATTADIA - DOCKS 04-11-05		CIRK S. BOLASH 04-11-05		APVD M. WALMSLEY 04-11-05		NAME	
DIMENSIONS: mm [INCHES]		TOLERANCES UNLESS OTHERWISE SPECIFIED:		PRODUCT SPEC		APPLICATION SPEC		RESTRICTED TO	
∅		0 PLC ± -		108-40025		114-40010		SIZE	
∅		1 PLC ± -		108-40025		114-40010		CASE CODE	
∅		2 PLC ± -		108-40025		114-40010		DRAWING NO	
∅		3 PLC ± 0.13 [.005]		108-40025		114-40010		DRAWING NO	
∅		4 PLC ± -		108-40025		114-40010		DRAWING NO	
∅		ANGLES ± α °		108-40025		114-40010		DRAWING NO	
MATERIAL		FINISH		WEIGHT		SCALE		SHEET	
1		2		A1		4:1		1 OF 1	
CUSTOMER DRAWING		SCALE		SHEET		REV		C	