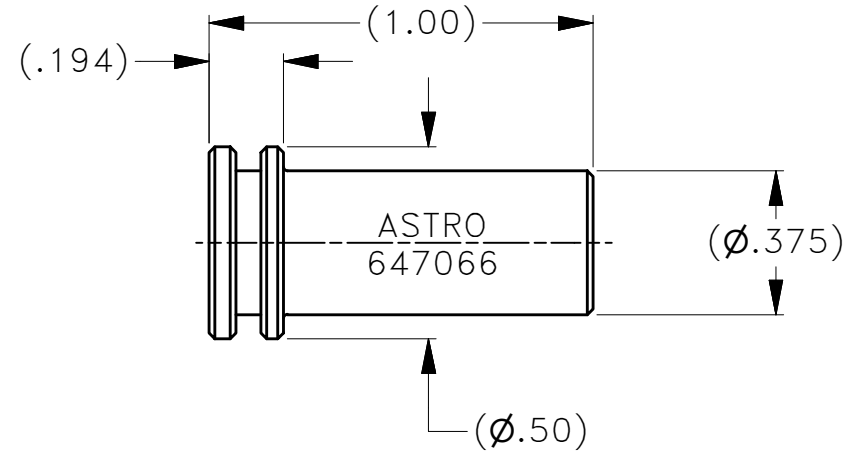
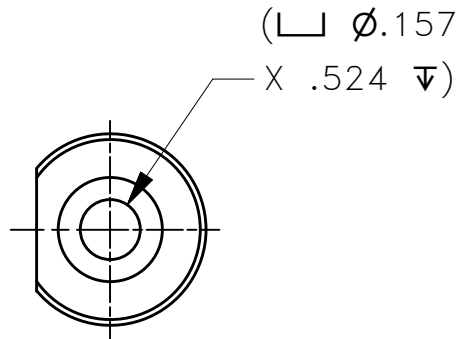



UNCONTROLLED DOCUMENT
WILL NOT BE UPDATED

REV SYM		ECO NUMBER	DESCRIPTION	BY DATE	APP'D DATE
A		---	NEW RELEASE	DYO 03-17-15	ADI.G 03-17-15



NOTES:

1. THIS IS AN ICAD DRAWING. DO NOT CHANGE MANUALLY.

MATERIAL	ITEM	PART NO.	QTY.	DESCRIPTION/REMARKS
ALUM	DRN. DYO	DATE 03-17-15		CAGE 58164
	CHK'D. ADI.G	DATE 03-17-15		 ASTRO TOOL CORP. 21615 S.W. THIALATIN VALLEY HWY., BEAVERTON OR 97003
HEAT TREAT N/A	APP'D.	DATE	TITLE ENVELOPE DRAWING: 647066 LOCATOR	
	APP'D.	DATE	WHERE USED:	
FINISH ANODIZED	TOLERANCE: UNLESS OTHERWISE SPECIFIED FRACTIONS $\pm 1/32$ ANGLES $\pm 1'$ DECIMAL INCHES: .X $\pm .030$.XX $\pm .010$.XXX $\pm .005$.XXXX $\pm .0005$ REMOVE BURRS AND BREAK SHARP EDGES .005-.015		SIZE A	SCALE N/A
CREATED FROM AN INVENTOR MODEL. CHANGES MUST BE REFLECTED IN THE 3D PART			CAD P/N 647066-ENV_RA	SHEET OF 1 1
DO NOT SCALE DRAWING			POSTING	P/N 647066-ENV
				REV. A