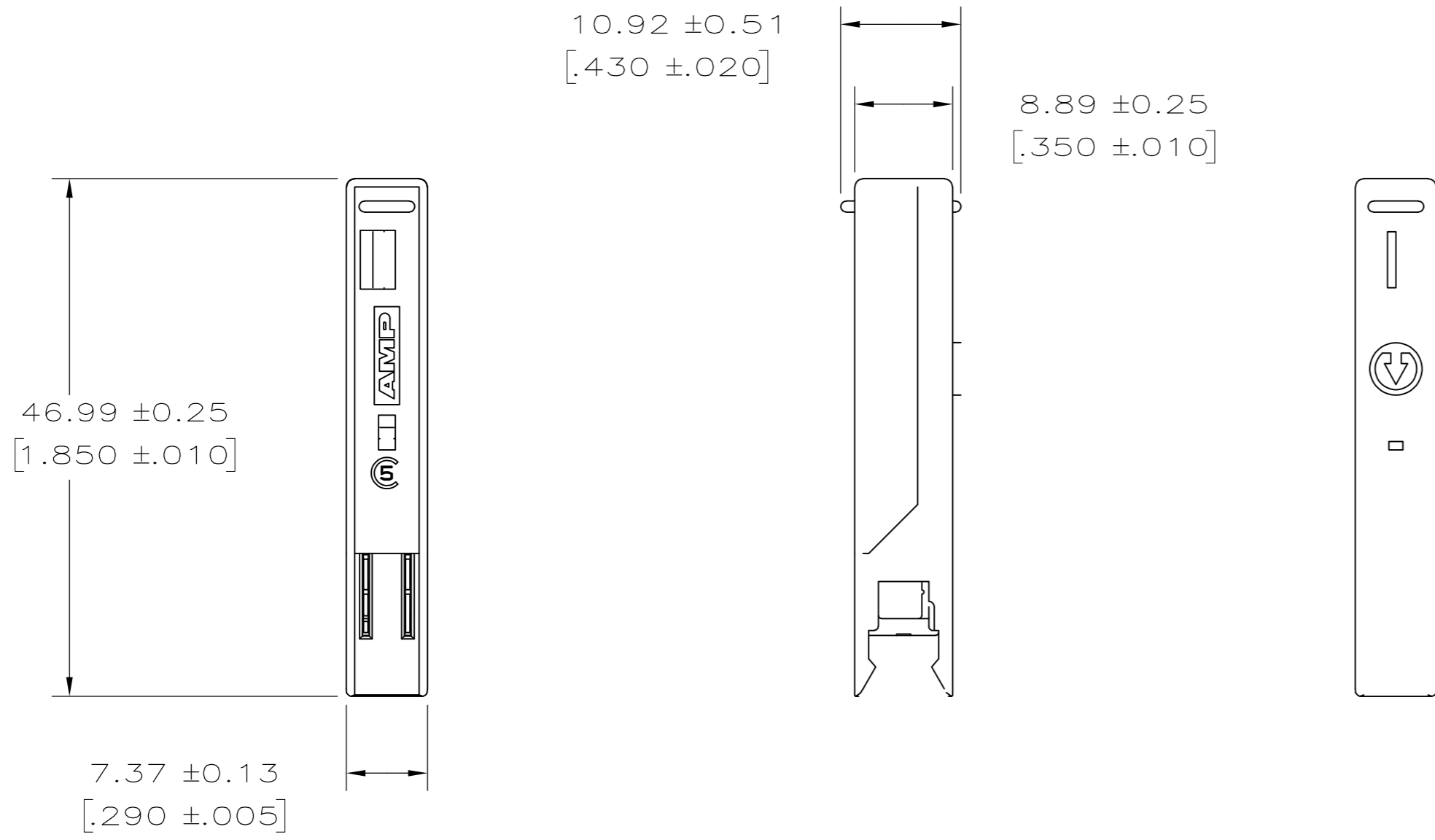
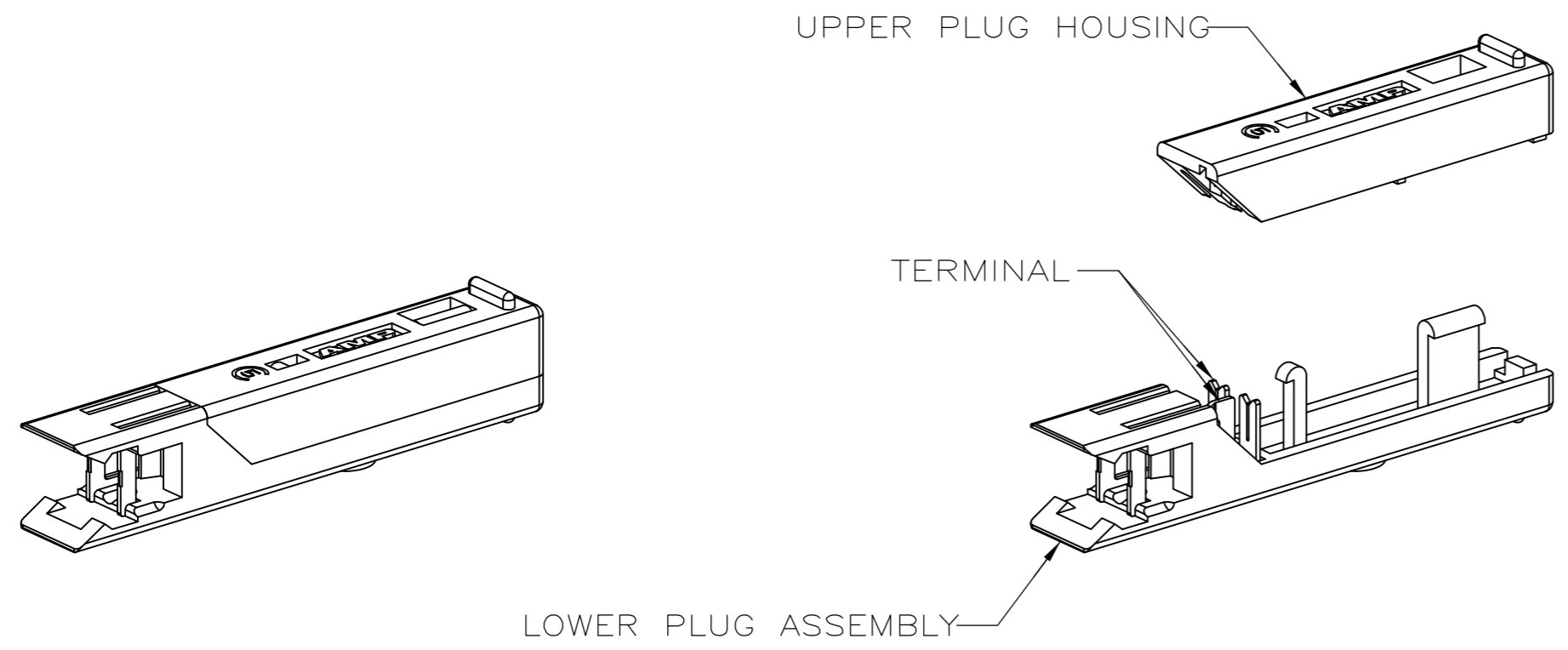


THIS DRAWING IS UNPUBLISHED. RELEASED FOR PUBLICATION
 © COPYRIGHT BY TYCO ELECTRONICS CORPORATION. ALL INTERNATIONAL RIGHTS RESERVED.

LOC	DIST	REVISIONS					
		P	LTR	DESCRIPTION	DATE	DWN	APVD
HM	00		D	REV ECO-09-004614	01APR09	LH	SH
			E	REV ECO-10-003221	17MAY2010	LH	SH



- 1. MATERIAL: HOUSING - POLYCARBONATE, IVORY, UL 94V-0.
 TERMINALS - 0.41[.016] THICK PHOSPHOR BRONZE PLATED WITH $3.81\mu\text{m}$ [.000150] MINIMUM THICK BRIGHT TIN-LEAD OVER $1.27\mu\text{m}$ - $3.30\mu\text{m}$ [.000050-.000130] THICK NICKEL UNDERPLATE.
- 2. KIT SHIPPED NOT ASSEMBLED.
- 3. SEE RESTRICTED CUSTOMER DRAWING 2-569477-1.
- 4. SEE RESTRICTED CUSTOMER DRAWING 3-569477-1.



OBSOLETE		4
OBSOLETE		3
SUPSD BY 569477-1	W/O AMP LOGO	1-569477-1
	WITH AMP LOGO	569477-1
	DESCRIPTION	PART NO

THIS DRAWING IS A CONTROLLED DOCUMENT.		DWN	31MAR2009	Tyco Electronics Corporation Harrisburg, PA 17105-3608			
DIMENSIONS: INCHES		CHK	01APR2009				
TOLERANCES UNLESS OTHERWISE SPECIFIED:		APVD	01APR2009				
0 PLC ± - 1 PLC ± - 2 PLC ± - 3 PLC ± - 4 PLC ± - ANGLES ± -		NAME	S. HERNDON				
MATERIAL		PRODUCT SPEC		PLUG KIT, 1 PAIR, 110 PATCHCORD			
FINISH		APPLICATION SPEC					
		WEIGHT	-	SIZE	CAGE CODE	DRAWING NO	RESTRICTED TO
		CUSTOMER DRAWING		A2	00779	C=569477	-
		SCALE	1:1	SHEET	1 of 1	REV	E

WAS 95-2238-23 REV 0; 569477 REV 4

569477