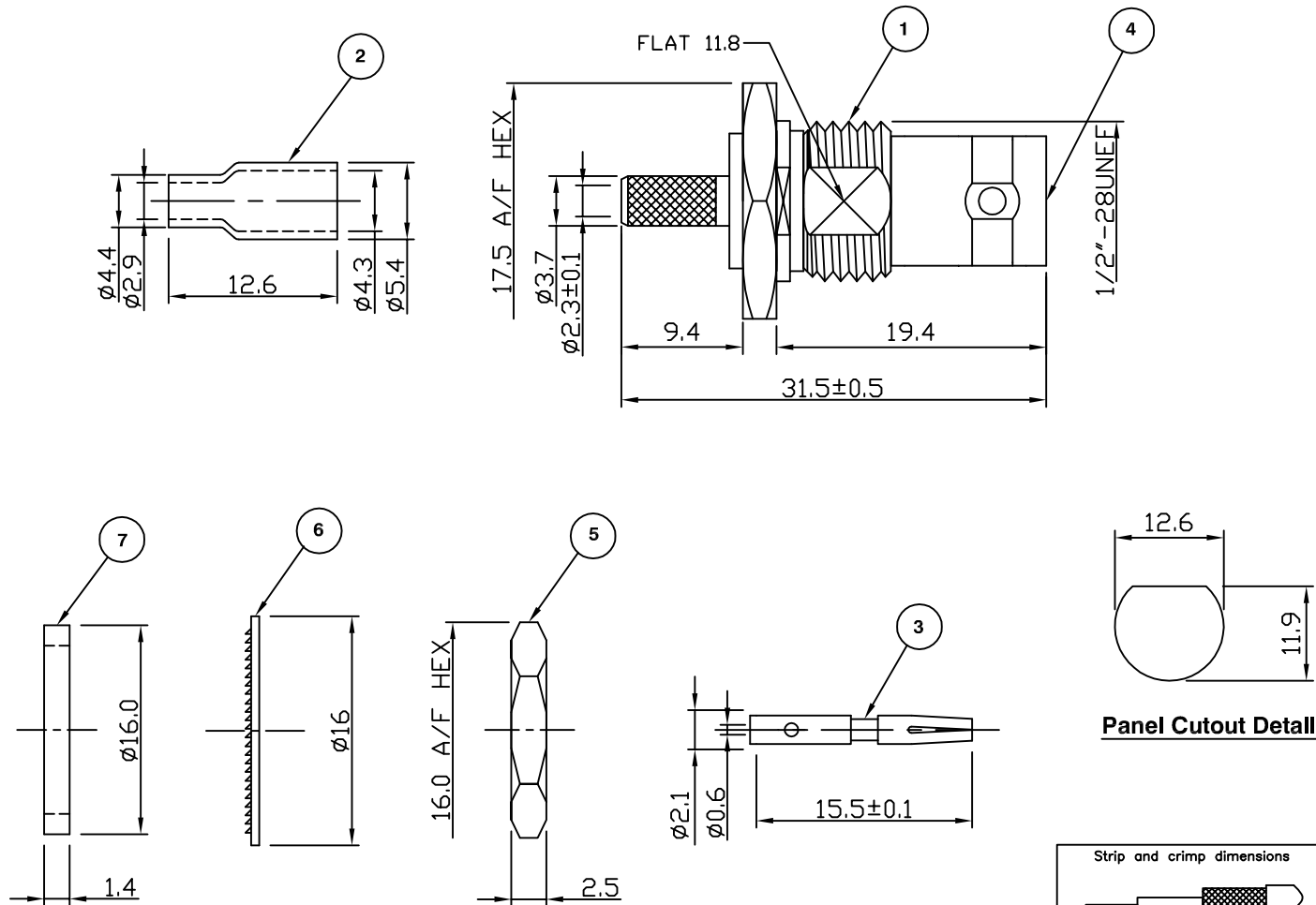


RoHS COMPLIANT



**Electrical Characteristics**

Nominal Impedance:	50 ohms
Frequency Range:	DC to 4 GHz
VSWR:	1.35:1 maximum
Insertion Loss:	0.2 dB at 3 GHz
Operating Voltage (rms):	500 V maximum at sea level
Dielectric Withstand Voltage (rms):	1500 V maximum at sea level
Contact Resistance:	1.5 milliohms maximum
Insulation Resistance:	5000 megohms minimum

**Mechanical Characteristics**

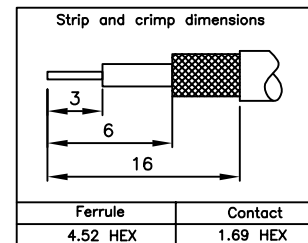
Mating Cycles:	500 cycles minimum
Interface Dimensions:	Conform to MIL-C-39012

**Environmental Characteristics**

Temperature Range:	-65 °C to +165 °C
--------------------	-------------------

PART	DESCRIPTION
1	Body Brass, nickel plated 1.78 µm
2	Ferrule Brass, nickel plated 1.78 µm
3	Contact Brass, gold plated 0.076 µm - 0.127 µm
4	Dielectric PTFE
5	Nut Brass, nickel plated 1.78 µm
6	Washer Steel, nickel plated 1.78 µm
7	Gasket Rubber, red

**Panel Cutout Details**



For stripping and assembly instructions see Drawing Number: VAIB4104

DESCRIPTION OF REVISION	APPVD	ISS	DATE
Strip & Crimp Dims added	MS	6	24 Aug 09
Measurement update	KA	5	15 Aug 07
Insulator added, dimensions updated	JW	4	06 Jun 06
HEX Modification	SN	3	28 Jun 02
CAD Issue	SN	2	22 Jan 02
First Issue	YL	1	10 June 94



Cinch Connectivity Solutions  
7-13 Russel Way,  
Widford Industrial Estate,  
Chelmsford, Essex,  
CM1 3AA, UK.  
Tel: +44 (0) 1245 359515  
Fax: +44 (0) 1245 358938

SCALE: Not To Scale

DIMENSIONS: mm

TOLERANCES:  
± 0.2mm unless  
otherwise stated

DRAWN BY:

J Williams

CHECKED BY:

M Terry

APPROVED BY:

A Tusi

DATE:

06 Jun 06

TITLE:

BNC Bulkhead Crimp  
Jack for RG174

PART NUMBER:

**VB40-2071**

PAGE: 1 of 1