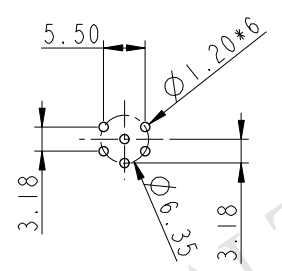
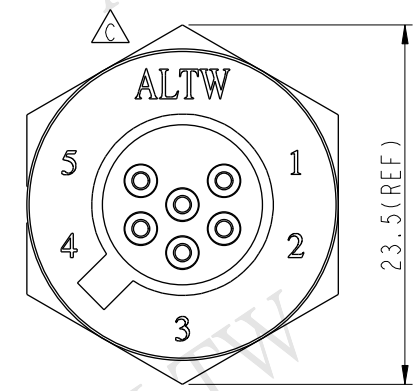
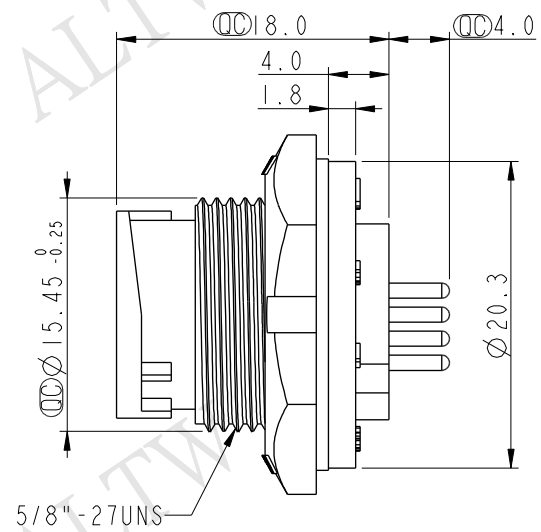
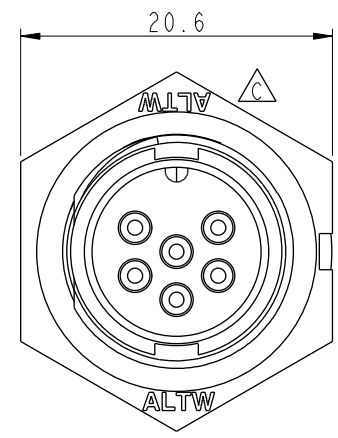


THIS DOCUMENT IS SUBJECT TO CHANGE WITHOUT NOTICE. IT IS CONFIDENTIAL AND A PROPERTY OF Amphenol LTW. DISCLOSURE TO THIRD PARTY HAS TO BE AUTHORIZED BY Amphenol LTW.

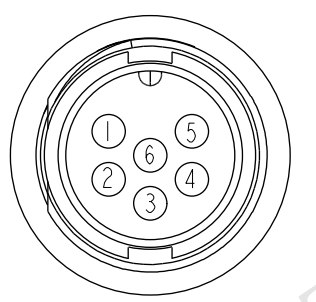
REV.	ECN NO.	DATE	SIGN	DESCRIPTION
B	LEN-8B0388	2008/09/17	Shin	Add Note
C	LEN1530182	2014/12/17	Ruru	Change Logo

ALTW
 CONFIDENTIAL
 2014-12-17
 R&D DEPT.

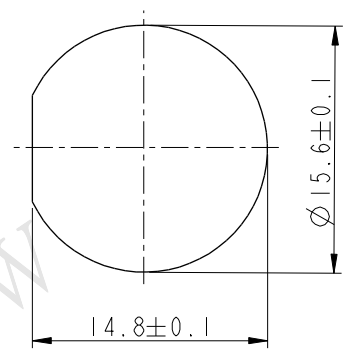
ALTW
 DCC. DEPT.
 CONFIDENTIAL
 2015.03.17
 ISSUED



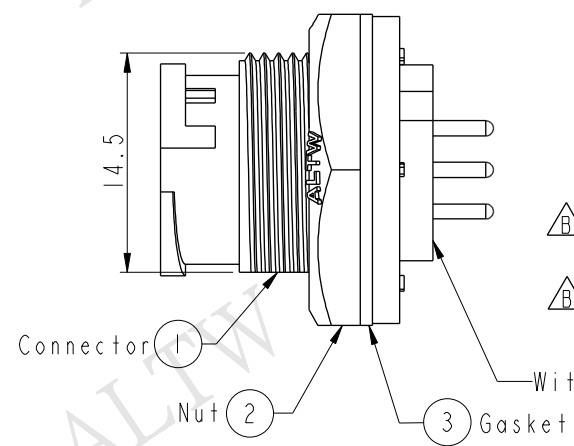
6 Pin Male Connector
Male Pin PCB Layout



Pin Assignments
Front View



Recommended Panel Cut-out



Note:

- * \varnothing Important Dimension To Check.
- * Waterproof Rate: IP67
- * Housing: Black, Nylon+GF
- * Pin: Copper Alloy, Gold Plated
- * Nut: Nylon+GF
- * Gasket: Black, EPDM
- $\triangle B$ * Use With Waterproof Cap Or Dust Cap
Panel Thickness Max: 3.0mm
- $\triangle B$ * Use Without Waterproof Cap Or Dust Cap
Panel Thickness Max: 4.5mm

UNIT:mm		
TOLERANCE		
.X	±0.25	
.XX	±0.1	
.XXX	±0.05	
ANGLES	±1°	

TITLE Standard Panel Lock 6Pin M Conn M Pin			
SCALE 2:1	SIZE A4	SHEET 1 OF 1	
REV. C	WC-REV. A.3	\varnothing : Inspection item	

Amphenol LTW
 安費諾亮泰企業股份有限公司

ITEM NO. BD-06PMMP-LC7001	DRAWN BY Ruru	DATE 2014-12-17
DWG NO. BD-06PMMP-LC7001	CHECKED BY Rita	DATE 2014-12-17
CUSTOMER ALTW	APPROVED BY Win	DATE 2014-12-17