



Series C84/93 LO-PRO®file Dual Beam Edge-Grip Socket w/Solder Tails

FEATURES

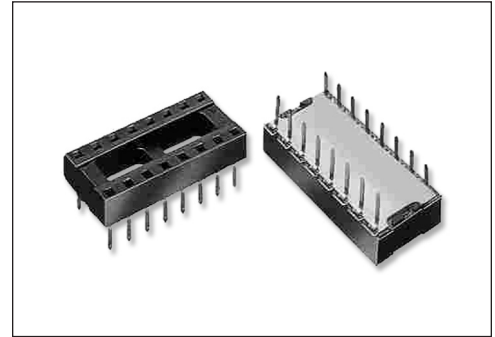
- Anti-wicking design on LO-PRO®file sockets eliminates flux or solder contamination
- Dual beam, edge-grip contacts provide high retention and positive contact
- End-to-end and side-to-side stackable

GENERAL SPECIFICATIONS

- BODY: black UL 94V-0 glass-filled Nylon 4/6
- DUAL BEAM CONTACT: Phosphor Bronze 521
- CONTACT PLATING: (overall 50µ [1.27µ] Ni per SAE AMS-QQN-290); Sn 200µ [5.08µ] min. matte Sn per ASTM B545-97; Sn/Pb 100-150µ [2.54-3.81µ] min. 90/10 Sn/Pb per MIL-P-81728; Au 10µ [0.25µ] min. Au per MIL-G-45204 in contact area and 100-150µ [2.54-3.81µ] min. 90/10 Sn/Pb per MIL-P-81728 on Solder Tail
- WAFER: Nomex, 0.005 [0.13] thick
- CONTACT CURRENT RATING: 1 amp
- CONTACT RESISTANCE: 20 mΩ initial
- INSULATION RESISTANCE: 100 mΩ @ 500VDC per MIL-STD-1344, Method 3003.1
- DIELECTRIC WITHSTANDING VOLTAGE: 1000 VAC
- OPERATING TEMPERATURE: -67°F [-55°C] to [105°C] 221°F for Sn: -67°F [-55°C] to 257°F [125°C] for Au
- ACCEPTS LEADS: up to 0.011 x 0.018 ±0.003 [0.28 x 0.46 ±0.08] or 0.021 [0.53] dia., 0.070-0.135 [1.78-3.43] long

MOUNTING CONSIDERATIONS

- SUGGESTED PCB HOLE SIZE: 0.036 ±0.002 [0.91 ±0.05] dia.



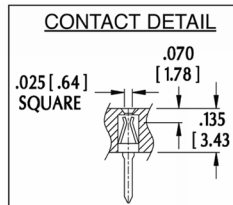
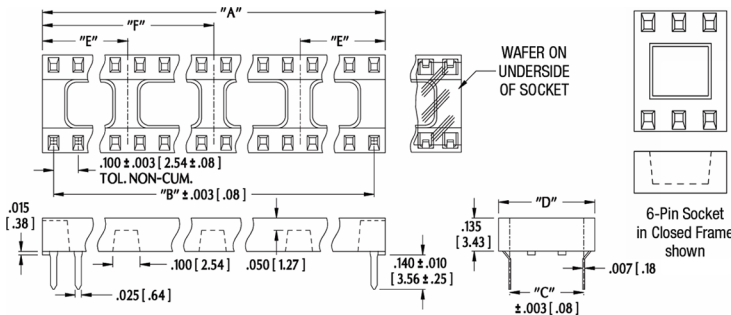
CUSTOMIZATION: In addition to the standard products shown on this page, Aries specializes in custom design and production. Special materials, platings, sizes, and configurations can be furnished, depending on the quantity. **NOTE:** Aries reserves the right to change product general specifications without notice.

ORDERING INFORMATION

C XX-XX XX-TL

Socket Series
Pin Plating
93 = Au
84 = Sn
No. of Pins
(see Table)

Optional Plating Sn/Pb
02 = Nomex Wafer (std)



ALL DIMENSIONS: INCHES [MILLIMETERS]
 ALL TOLERANCES: ±0.005 [0.13] UNLESS OTHERWISE SPECIFIED
 CONSULT FACTORY FOR OTHER SIZES AND CONFIGURATIONS

No. of Pins	Dim "A"	Dim. "B"	Centers "C"	Dim. "D"	Dim. "E"	Dim. "F"
6	0.290 [7.37]	0.200 [5.08]	0.300 [7.62]	0.395 [10.03]	—	—
8	0.390 [9.91]	0.300 [7.62]	0.300 [7.62]	0.395 [10.03]	—	—
14	0.690 [17.53]	0.600 [15.24]	0.300 [7.62]	0.395 [10.03]	—	0.350 [8.89]
16	0.790 [20.07]	0.700 [17.78]	0.300 [7.62]	0.395 [10.03]	—	0.400 [10.16]
18	0.890 [22.61]	0.800 [20.32]	0.300 [7.62]	0.395 [10.03]	—	0.450 [11.43]
20	0.990 [25.15]	0.900 [22.86]	0.300 [7.62]	0.395 [10.03]	—	0.500 [12.70]
24	1.190 [30.23]	1.100 [27.94]	0.600 [15.24]	0.695 [17.65]	0.400 [10.16]	—
28	1.390 [35.31]	1.300 [33.02]	0.600 [15.24]	0.695 [17.65]	0.500 [12.70]	—
40	1.990 [50.55]	1.900 [48.26]	0.600 [15.24]	0.695 [17.65]	0.500 [12.70]	1.000 [25.40]



Bristol, PA 19007-6810 USA
 TEL (215) 781-9956 • FAX (215) 781-9845
 WWW.ARIESELEC.COM • INFO@ARIESELEC.COM

