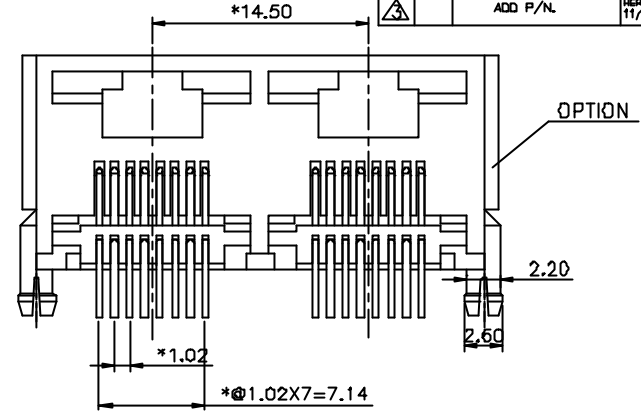
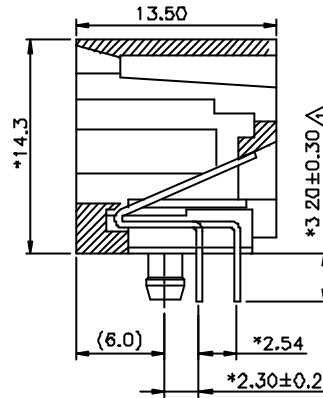
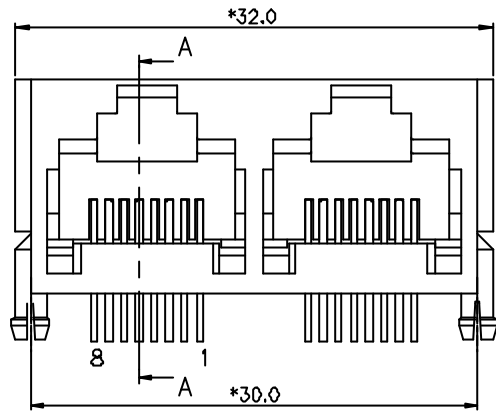
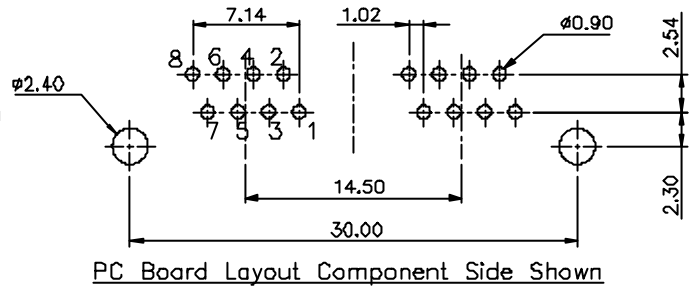


REVISION RECORD				
REV	ECO	DESCRIPTION	DRFT	CHKD
△		ADD P/N.	DT	05/06/05
△		ADD P/N.	HERO	10/18/05
△		ADD P/N.	HERO	11/3/05



SECTION A-A



**NOTES:**

**ELECTRICAL:**

- VOLTAGE RATING : 125 VAC RMS.
- CURRENT RATING : 1.5 AMP.
- CONTACT RESISTANCE : 30 MILLIOHMS MAX.
- INSULATION RESISTANCE: 1000 MEGOHMS MIN @ 500 VDC.
- DIELECTRIC STRENGTH : 1000 VAC RMS 60HZ, 1MIN.

**MECHANICAL:**

- HOUSING MATERIAL : PBT+30%GF UL94V-0
- INSERT MATERIAL : PBT+30%GF UL94V-0
- CONTACT MATERIAL : PHOSPHOR BRONZE Ø0.46mm.
- PLATING : GOLD PLATING OVER NICKEL.
- OPERATING LIFE : 750 CYCLES MIN.
- PCB RETENTION PRE-SOLDER : 1 LB MIN.
- PCB RETENTION POST-SOLDER. 10 LBS MIN.

**ENVIRONMENTAL:**

- STORAGE : -40°C TO +85°C.
- OPERATION: 0°C TO 70°C.
- WAVE SOLDERING TEMPERATURE: 230~250° (3~5 SECONDS)

MATES WITH MODULAR PLUG CONFORMING TO

FCC PART 68, SUBPART F.

CUL FILE NO E163191

FREE LEAD PART NUMBER: E558X-20AXXX-L

NQ. OF CONTACT:	1- 3u"	2- 6u"
	3- 15u"	4- 30u"
	5- 50u"	6- Pd 20u"
	1- WITH PANEL STOP	
	2- W/O PANEL STOP	
	4- W/ THREE MERELY PANEL STOP △	
	5- W/O THREE MERELY PANEL STOP △	

5-A06-0080  
 △ D-A06-2380  
 △ K-A05-0220

昵夕 厂ノ  
ZWCAD 2004 刚ノ)  
岡簿叫瑞弊WWW.ZWCAD.COM

DETACHED LIST	MM (INCH)	DFTO YAN	DATE 03/28/05
	TOLERANCES EXCEPT AS NOTED	CHKD	DATE
		WFO	DATE
		APPL. DRDGF	DATE 11/05/05
	MATERIAL :		
	ANGLES ± 0.5	QTY :	
	THIRD ANGLE PROJECTION	FINISH	
		SCALE : 3 : 1	

FULL RISE ELECTRONIC CO., LTD			
TITLE			
MINI L/P DUAL PORT 8P			
DRAWING NO	GE553037-LC	SIZE	REV
/PART NO	SEE NOTE	A3	3
DO NOT SCALE DRAWING		SHEET	OF