

SIGN	DATE	DESCRIPTION	APPROVER
		THIS IS CAD DRAWING, DO NOT REVISE MANUALLY!!!	

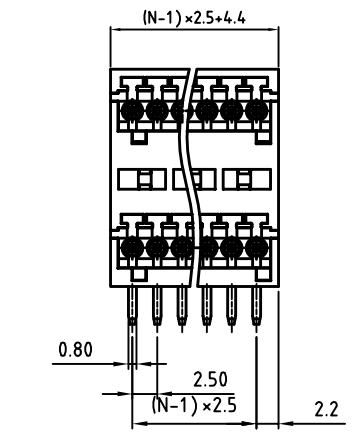
Material

- Terminal body (Contact pin): Brass with Tin plating
- Insulator (housing): Thermoplastic (UL94V-0)

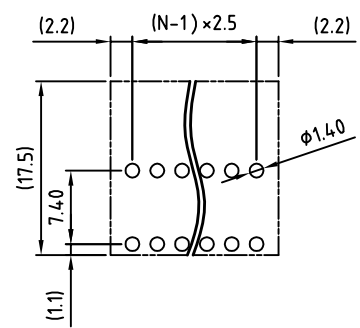
Electrical

- Voltage rating: 125V
- Current rating: 4A
- Withstanding Voltage: 1.25KV
- Operating temperature: -30°C to +105°C
- Soldering temperature: 245°C±10°C/5 Sec

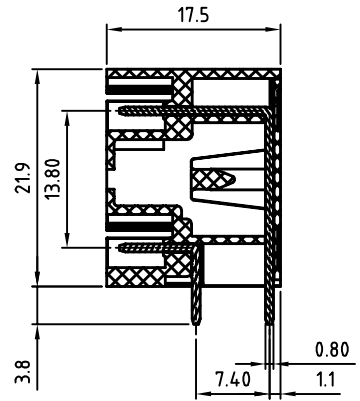
RoHS Compliant



N=Number of poles



P.C.B. LAYOUT



PART NUMBER:

OSTVLXXB151

No. of Poles

- 04: 2x02 Poles
- 06: 2x03 Poles
- : :
- 48 2x24 Poles

COLOR

- 0: Black
- 5: Green (Standard)
- 6: Blue
- 8: Grey

THESE DRAWINGS AND SPECIFICATIONS ARE THE PROPERTY OF ON-SHORE TECHNOLOGY, INC. AND SHALL NOT BE REPRODUCED, COPIED OR USED IN ANY MANNER WITHOUT THE PRIOR WRITTEN CONSENT OF ON-SHORE TECHNOLOGY, INC.



TITLE		OST VL 2.5 Series (2p~30P) 90°				
PART NO.		OSTVLXXB151		DWG NO.		OSTVLXXB151.DWG
APPROVED		CHECKED	DESIGNED	DRAWN	CUST NO.	
			Tason 2006.29.06	Tason 2006.29.06		
				SHEET: 01/01		Tolerance X. ±0.5 X.X ±0.3 X.XX ±0.1 X° ±1°
				UNIT: mm		SCALE: NONE
				REV.: C		