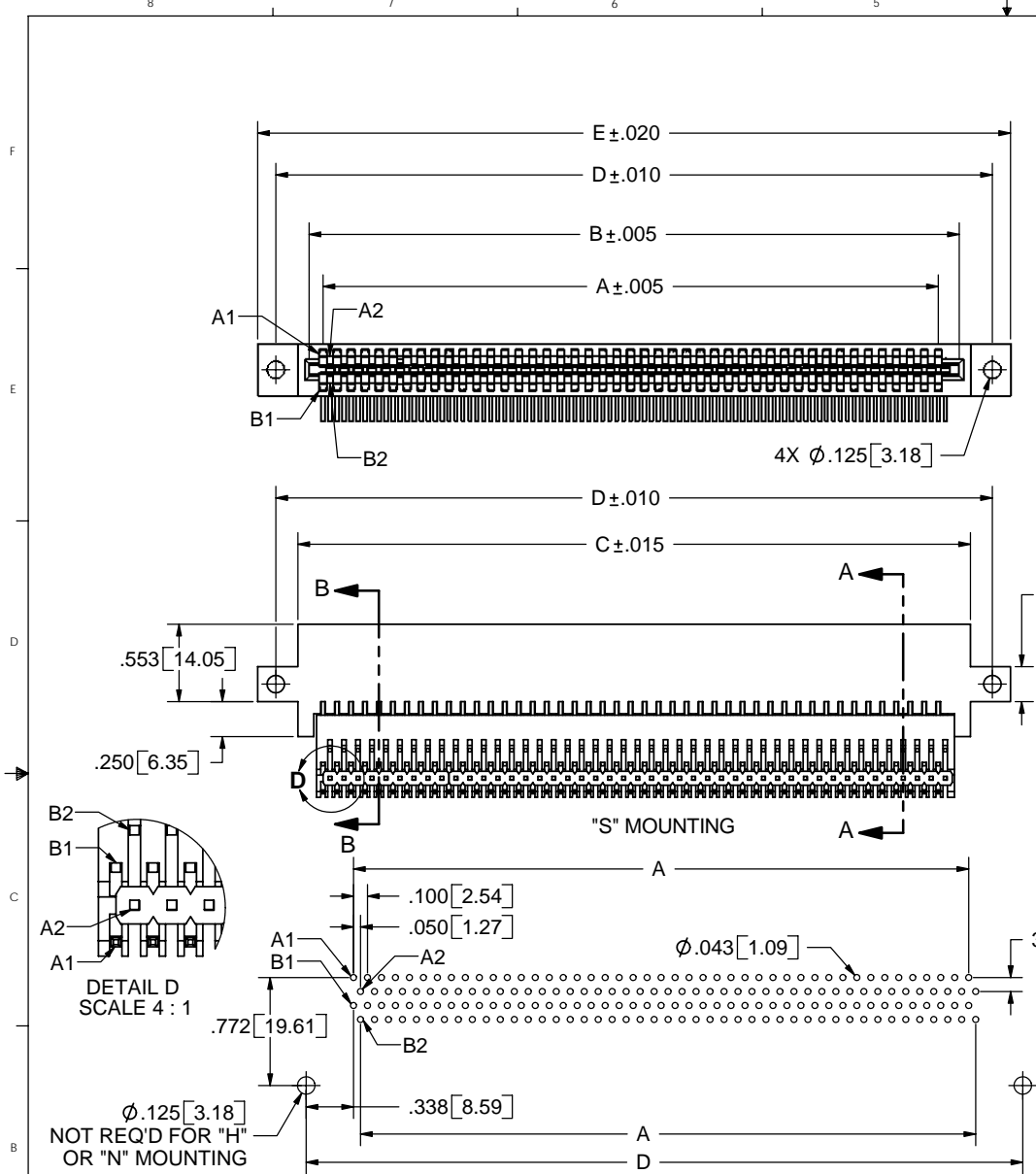
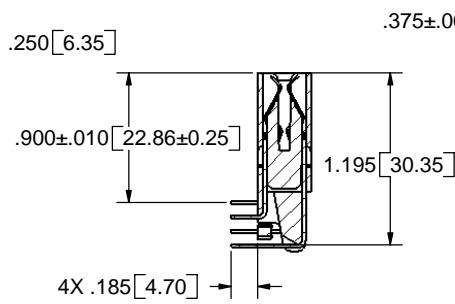


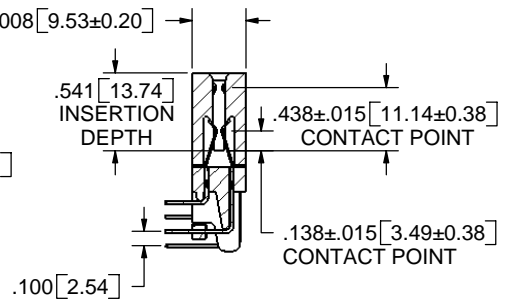
REVISIONS				
REV.	ECO. NO	DESCRIPTION	DATE	BY
A	250	ORIGINAL RELEASE	5-12-04	AN
B	391	UPDATE FORMAT, ADD TOP VIEW TO "H" MOUNTING, ADD P/N CODING	8-27-04	MNH
C	539	IN PART NUMBER CODING CHART ON PAGE 2, A_E CHANGED TO A_B	2-25-05	AN
D	556	UPDATE PRINT TO BE FOR SULLINS CUSTOMERS ONLY. SHOW ONLY CUSTOMER REQUIREMENTS	03-02-05	MNH



PCB LAYOUT, COMPONENT SIDE
90 POSITION SHOWN



SECTION B-B
SCALE 1.5 : 1

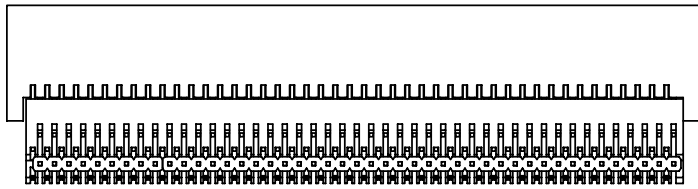


SECTION A-A
SCALE 1.5 : 1

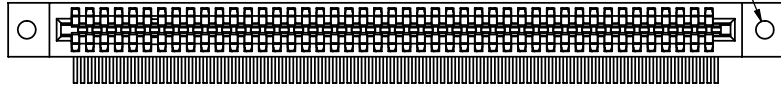
- NOTES:
1. BODY MATERIAL: BLACK POLYPHENYLENE SULFIDE
 2. CONTACT MATERIAL: BERYLLIUM COPPER
 3. CONTACT PLATING: SEE PART NUMBER CODING ON PAGE 2.
 4. UL FLAMMABILITY: 94V-0
 5. INSERTION FORCE: 6 OUNCE MAX PER CONTACT PAIR USING .062" PCB
 6. WITHDRAWL FORCE: 1 OUNCE MIN PER CONTACT PAIR USING .062" PCB
 7. PC BOARD ACCOMMODATED: .054" - .070". SEE PAGE 3 FOR POSITIONING REQUIREMENTS FOR RIGID MOUNT DAUGHTER CARDS.
 8. VOLTAGE RATING: 125 VDC MINIMUM AT SEA LEVEL
 9. CURRENT RATING: 3 AMP
 10. CONTACT RESISTANCE: 30 mV AT RATED CURRENT
 11. INSULATION RESISTANCE: 1000 MEAGA OHMS
 12. OPERATING TEMPERATURE: -65°C TO 150°C
 13. CONTACT NORMAL FORCE: 75 GRAMS MINIMUM.

PATENT NO.: US 6,790,054 B1

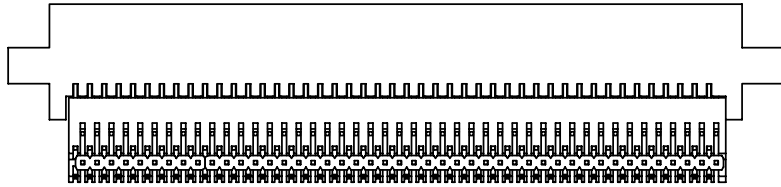
UNLESS OTHERWISE SPECIFIED: DIMENSIONS ARE IN INCHES[MM] TOLERANCES: ANGULAR: ± 1° XX = ± .02 [.508] .XXX = ± .005 [.1270] XXXX = ± .0005 [.0127] PARENTHEICAL INFORMATION IS FOR REFERENCE ONLY		DATE: 5/24/2005 NAME: MNH	<p align="center">SULLINS ELECTRONICS</p> <p align="center">DESCRIPTION</p> <p align="center">BI, LEVEL, .050" CC</p> <p align="center">PART NO.: A_B_DKB</p>
INTERPRET DIMENSIONS AND GEOMETRIC TOLERANCING PER: ANSI Y14.5-1984		<p>THE INFORMATION HEREIN CONTAINS PROPRIETARY RIGHTS OF SULLINS ELECTRONICS AND IS NOT TO BE REPRODUCED, USED OR DISCLOSED TO OTHERS FOR ANY PURPOSE EXCEPT AS SPECIFICALLY AUTHORIZED IN WRITING BY SULLINS ELECTRONICS.</p>	
	<p>SIZE: C</p> <p>DWG. NO: 10214</p> <p>REV: D</p>	<p>SCALE: 1:1</p> <p>SHEET 1 OF 3</p>	



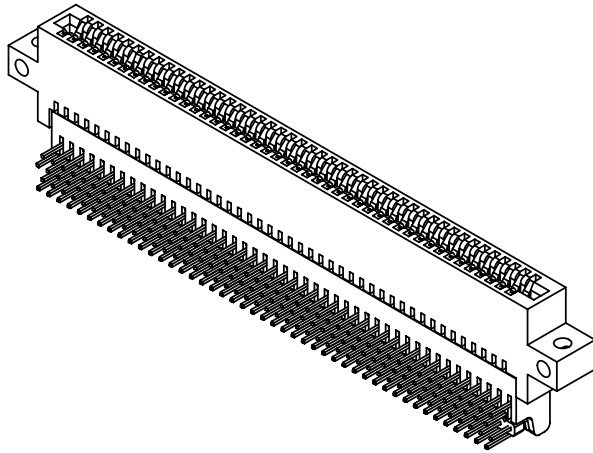
"N" MOUNTING
NO MOUNTING EARS



Ø.125 [3.18]



"H" MOUNTING
.250 EARS



	INCHES						MILLIMETERS						DAUGHTER CARD LAYOUT		
	A	B	C	D	E	F	POSITIONS	A	B	C	D	E		F	POSITIONS
A_B06DKB_	0.200	0.450	0.610	0.925	1.185	0.436	6	5.08	11.43	15.49	23.50	30.10	11.07	6	1
A_B08DKB_	0.300	0.550	0.710	1.025	1.285	0.536	8	7.62	13.97	18.03	26.04	32.64	13.61	8	2
A_B10DKB_	0.400	0.650	0.810	1.125	1.385	0.636	10	10.16	16.51	20.57	28.58	35.18	16.15	10	1
A_B12DKB_	0.500	0.750	0.910	1.225	1.485	0.736	12	12.70	19.05	23.11	31.12	37.72	18.69	12	2
A_B14DKB_	0.600	0.850	1.010	1.325	1.585	0.836	14	15.24	21.59	25.65	33.66	40.26	21.23	14	1
A_B16DKB_	0.700	0.950	1.110	1.425	1.685	0.936	16	17.78	24.13	28.19	36.20	42.80	23.77	16	2
A_B18DKB_	0.800	1.050	1.210	1.525	1.785	1.036	18	20.32	26.67	30.73	38.74	45.34	26.31	18	1
A_B20DKB_	0.900	1.150	1.310	1.625	1.885	1.136	20	22.86	29.21	33.27	41.28	47.88	28.85	20	2
A_B22DKB_	1.000	1.250	1.410	1.725	1.985	1.236	22	25.40	31.75	35.81	43.82	50.42	31.39	22	1
A_B24DKB_	1.100	1.350	1.510	1.825	2.085	1.336	24	27.94	34.29	38.35	46.36	52.96	33.93	24	2
A_B26DKB_	1.200	1.450	1.610	1.925	2.185	1.436	26	30.48	36.83	40.89	48.90	55.50	36.47	26	1
A_B28DKB_	1.300	1.550	1.710	2.025	2.285	1.536	28	33.02	39.37	43.43	51.44	58.04	39.01	28	2
A_B30DKB_	1.400	1.650	1.810	2.125	2.385	1.636	30	35.56	41.91	45.97	53.98	60.58	41.55	30	1
A_B32DKB_	1.500	1.750	1.910	2.225	2.485	1.736	32	38.10	44.45	48.51	56.52	63.12	44.09	32	2
A_B34DKB_	1.600	1.850	2.010	2.325	2.585	1.836	34	40.64	46.99	51.05	59.06	65.66	46.63	34	1
A_B36DKB_	1.700	1.950	2.110	2.425	2.685	1.936	36	43.18	49.53	53.59	61.60	68.20	49.17	36	2
A_B38DKB_	1.800	2.050	2.210	2.525	2.785	2.036	38	45.72	52.07	56.13	64.14	70.74	51.71	38	1
A_B40DKB_	1.900	2.150	2.310	2.625	2.885	2.136	40	48.26	54.61	58.67	66.68	73.28	54.25	40	2
A_B42DKB_	2.000	2.250	2.410	2.725	2.985	2.236	42	50.80	57.15	61.21	69.22	75.82	56.79	42	1
A_B44DKB_	2.100	2.350	2.510	2.825	3.085	2.336	44	53.34	59.69	63.75	71.76	78.36	59.33	44	2
A_B46DKB_	2.200	2.450	2.610	2.925	3.185	2.436	46	55.88	62.23	66.29	74.30	80.90	61.87	46	1
A_B48DKB_	2.300	2.550	2.710	3.025	3.285	2.536	48	58.42	64.77	68.83	76.84	83.44	64.41	48	2
A_B50DKB_	2.400	2.650	2.810	3.125	3.385	2.636	50	60.96	67.31	71.37	79.38	85.98	66.95	50	1
A_B52DKB_	2.500	2.750	2.910	3.225	3.485	2.736	52	63.50	69.85	73.91	81.92	88.52	69.49	52	2
A_B54DKB_	2.600	2.850	3.010	3.325	3.585	2.836	54	66.04	72.39	76.45	84.46	91.06	72.03	54	1
A_B56DKB_	2.700	2.950	3.110	3.425	3.685	2.936	56	68.58	74.93	78.99	87.00	93.60	74.57	56	2
A_B58DKB_	2.800	3.050	3.210	3.525	3.785	3.036	58	71.12	77.47	81.53	89.54	96.14	77.11	58	1
A_B60DKB_	2.900	3.150	3.310	3.625	3.885	3.136	60	73.66	80.01	84.07	92.08	98.68	79.65	60	2
A_B62DKB_	3.000	3.250	3.410	3.725	3.985	3.236	62	76.20	82.55	86.61	94.62	101.22	82.19	62	1
A_B64DKB_	3.100	3.350	3.510	3.825	4.085	3.336	64	78.74	85.09	89.15	97.16	103.76	84.73	64	2
A_B66DKB_	3.200	3.450	3.610	3.925	4.185	3.436	66	81.28	87.63	91.69	99.70	106.30	87.27	66	1
A_B68DKB_	3.300	3.550	3.710	4.025	4.285	3.536	68	83.82	90.17	94.23	102.24	108.84	89.81	68	2
A_B70DKB_	3.400	3.650	3.810	4.125	4.385	3.636	70	86.36	92.71	96.77	104.78	111.38	92.35	70	1
A_B72DKB_	3.500	3.750	3.910	4.225	4.485	3.736	72	88.90	95.25	99.31	107.32	113.92	94.89	72	2
A_B74DKB_	3.600	3.850	4.010	4.325	4.585	3.836	74	91.44	97.79	101.85	109.86	116.46	97.43	74	1
A_B76DKB_	3.700	3.950	4.110	4.425	4.685	3.936	76	93.98	100.33	104.39	112.40	119.00	99.97	76	2
A_B78DKB_	3.800	4.050	4.210	4.525	4.785	4.036	78	96.52	102.87	106.93	114.94	121.54	102.51	78	1
A_B80DKB_	3.900	4.150	4.310	4.625	4.885	4.136	80	99.06	105.41	109.47	117.48	124.08	105.05	80	2
A_B82DKB_	4.000	4.250	4.410	4.725	4.985	4.236	82	101.60	107.95	112.01	120.02	126.62	107.59	82	1
A_B84DKB_	4.100	4.350	4.510	4.825	5.085	4.336	84	104.14	110.49	114.55	122.56	129.16	110.13	84	2
A_B86DKB_	4.200	4.450	4.610	4.925	5.185	4.436	86	106.68	113.03	117.09	125.10	131.70	112.67	86	1
A_B88DKB_	4.300	4.550	4.710	5.025	5.285	4.536	88	109.22	115.57	119.63	127.64	134.24	115.21	88	2
A_B90DKB_	4.400	4.650	4.810	5.125	5.385	4.636	90	111.76	118.11	122.17	130.18	136.78	117.75	90	1

PIN CODING:

MATERIAL (Insulator/Contact)
A= PPS/Beryllium Copper

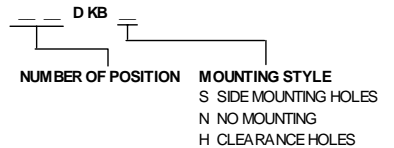
CONTACT FINISH
Y = .000030" Gold On Contact Surface
.000005" Gold On Termination
.000050" Nickel Underplate

X = .000030" Gold On Contact Surface
.000100" Tin-Lead On Termination
.000050" Nickel Underplate

B = .000010" Gold On Contact Surface
.000100" Pure TIN On Termination
.000050" Nickel Underplate

C = .000030" Gold On Contact Surface
.000100" Pure TIN On Termination
.000050" Nickel Underplate

☐ = Lead Free

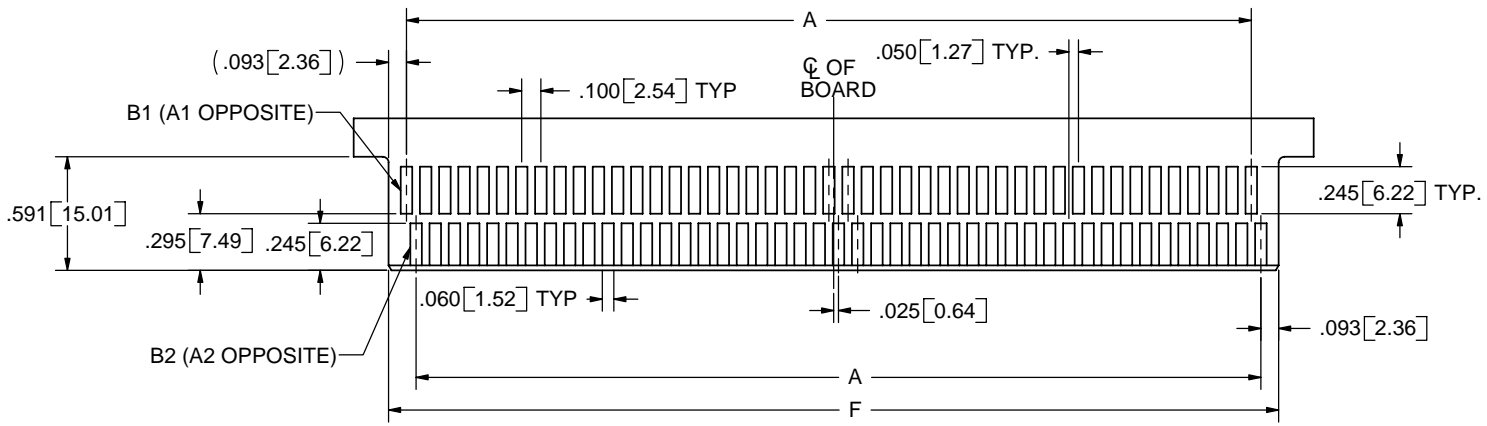


UNLESS OTHERWISE SPECIFIED:
DIMENSIONS ARE IN INCHES[MM]
TOLERANCES:
ANGULAR: ± 1°
XX = ± .02 [.508]
.XXX = ± .005 [.1270]
XXXX = ± .0005 [.0127]
PARENTHETICAL INFORMATION IS FOR REFERENCE ONLY
INTERPRET DIMENSIONS AND GEOMETRIC TOLERANCING PER: ANSI Y14.5-1984

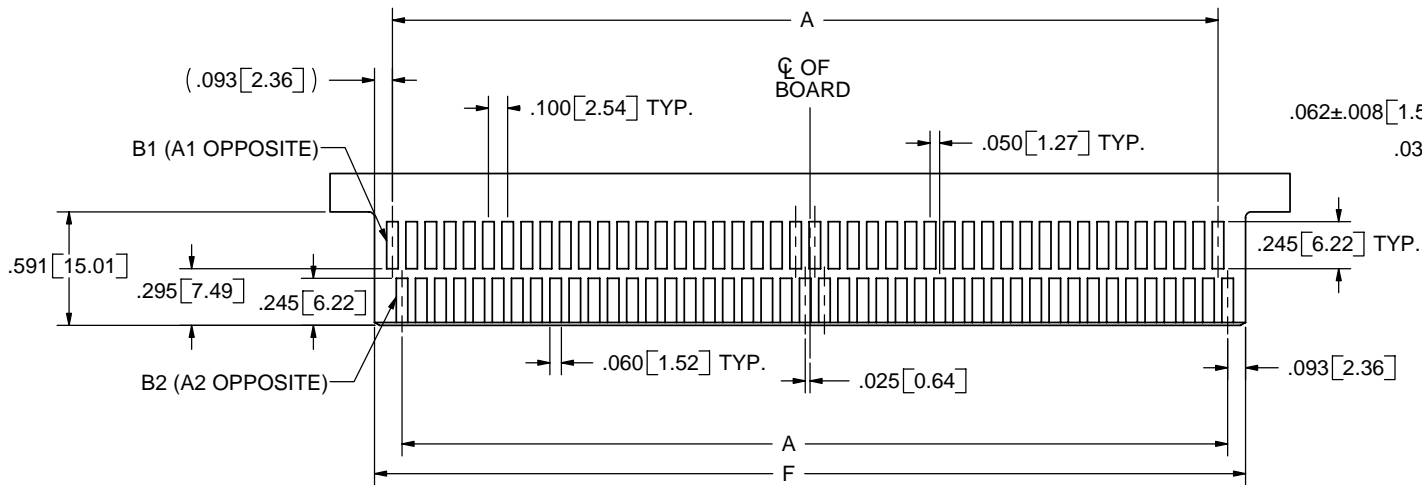
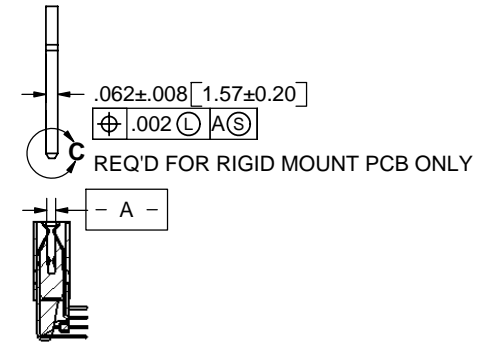
DATE	NAME
5/24/2005	MNH
THE INFORMATION HEREIN CONTAINS PROPRIETARY RIGHTS OF SULLINS ELECTRONICS AND IS NOT TO BE REPRODUCED, USED OR DISCLOSED TO OTHERS FOR ANY PURPOSE EXCEPT AS SPECIFICALLY AUTHORIZED IN WRITING BY SULLINS ELECTRONICS.	
SIZE	DWG. NO.
C	10214
SCALE: 1:0.666667	SHEET 2 OF 3

SULLINS ELECTRONICS	
DESCRIPTION	
BI, LEVEL, .050° CC	
PART NO. :A_B_ _DKB_	REV
C	D
SCALE: 1:0.666667	
SHEET 2 OF 3	

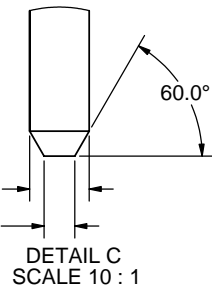
PATENT NO.: US 6,790,054 B1



DAUGHTER CARD LAYOUT NUMBER 1
90 POSITION SHOWN
REFER TO PAGE 2 TO DETERMINE LAYOUT TO USE



DAUGHTER CARD LAYOUT NUMBER 2
88 POSITION SHOWN
REFER TO PAGE 2 TO DETERMINE LAYOUT TO USE



DETAIL C
SCALE 10 : 1

PATENT NO.: US 6,790,054 B1

UNLESS OTHERWISE SPECIFIED:
DIMENSIONS ARE IN INCHES[MM]
TOLERANCES:
ANGULAR: ± 1°
XX = ± .02 [508]
.XXX = ± .005 [1270]
XXXX = ± .0005 [127]
PARENTHESES INFORMATION IS FOR REFERENCE ONLY
INTERPRET DIMENSIONS AND GEOMETRIC TOLERANCING PER: ANSI Y14.5-1984

DRAWN	DATE	NAME
5/24/2005	MNH	
THE INFORMATION HEREIN CONTAINS PROPRIETARY RIGHTS OF SULLINS ELECTRONICS AND IS NOT TO BE REPRODUCED, USED OR DISCLOSED TO OTHERS FOR ANY PURPOSE EXCEPT AS SPECIFICALLY AUTHORIZED IN WRITING BY SULLINS ELECTRONICS.		
SIZE	DWG. NO.	REV
C	10214	D

SULLINS ELECTRONICS		
DESCRIPTION BI, LEVEL, .050° CC		
PART NO.: A B _ DKB		
SCALE: 2:1	SHEET 3 OF 3	