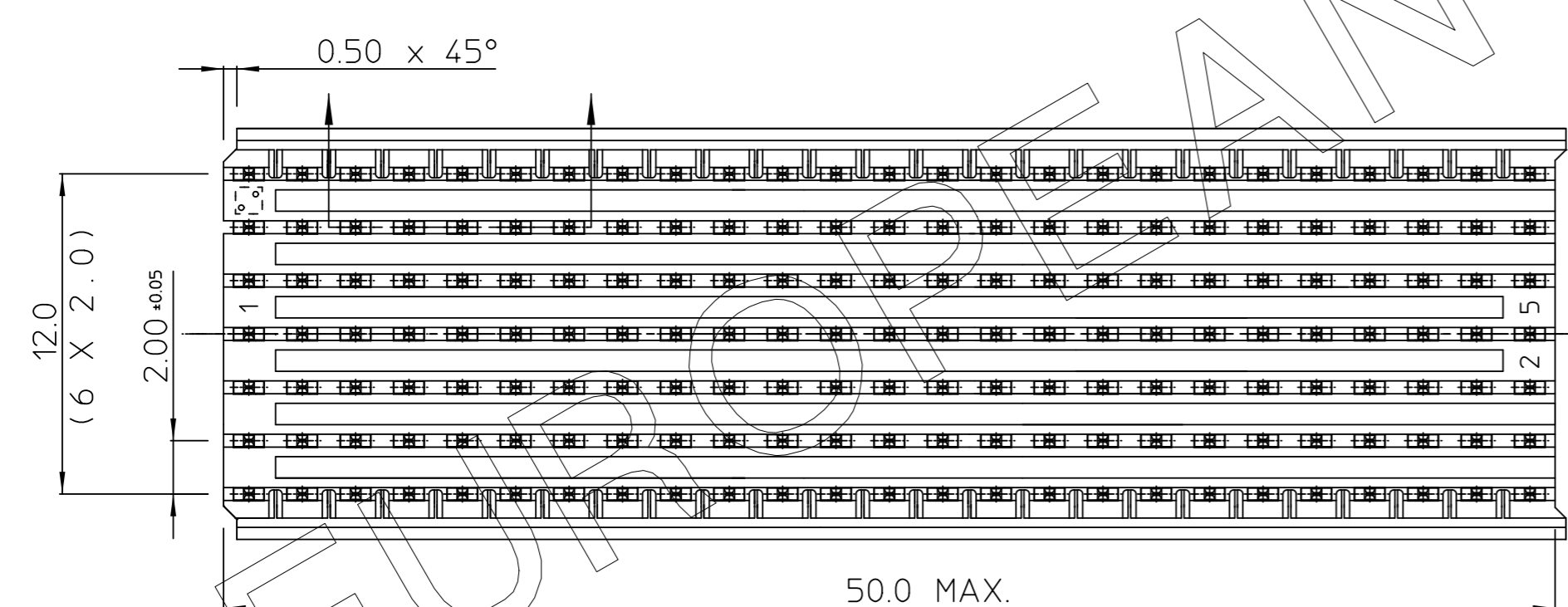
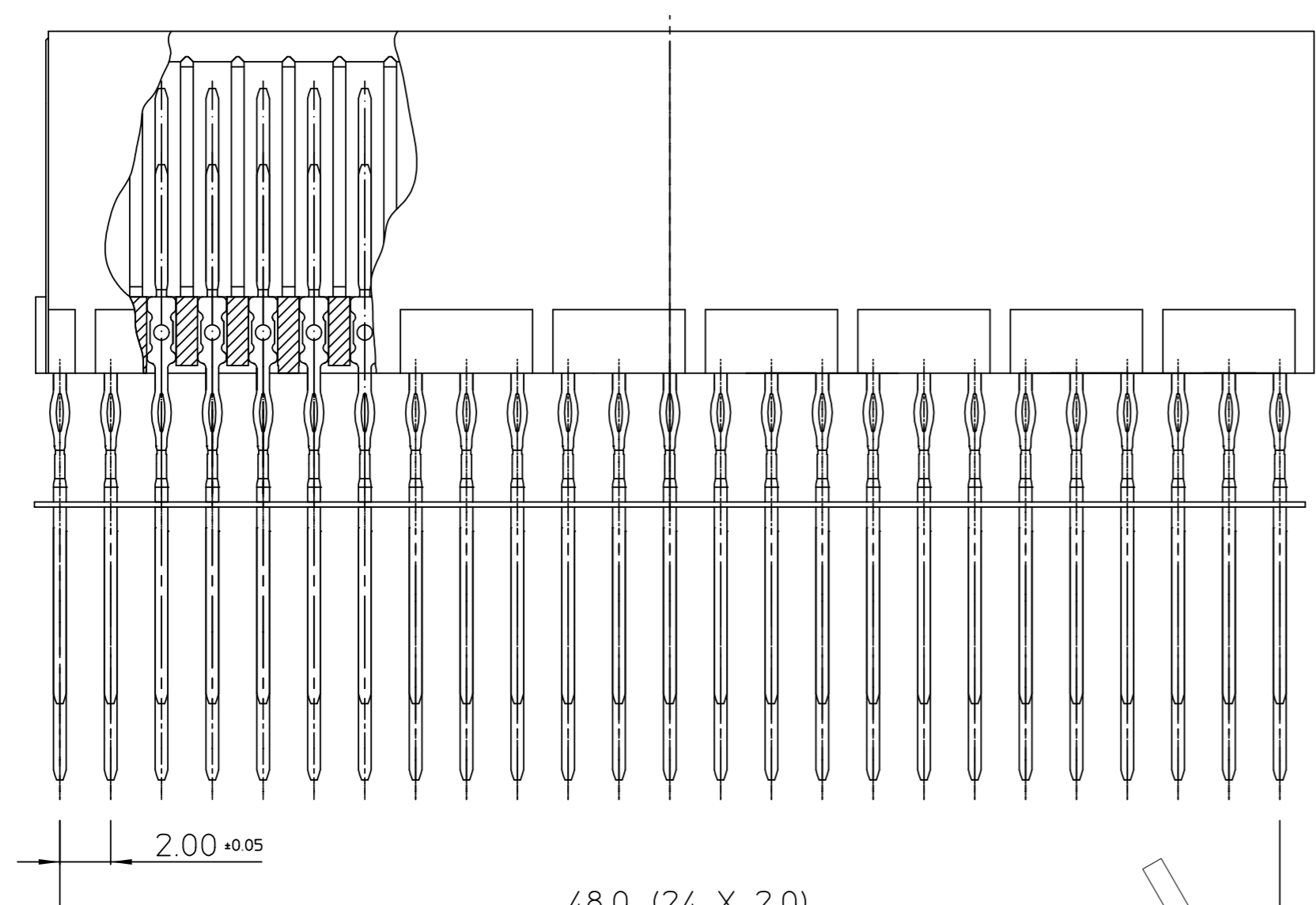
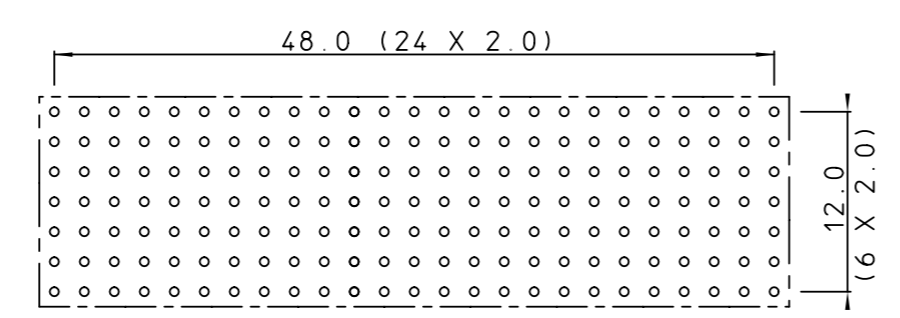


GEN. ST.	01	02	03	04	05	06	07	08	0D	50	60	70	80	90																	
INT. ST.	10	11	12	13	14	18	20	31	32	33	34	38	39	40	42	43	44	45	46	48	56	70	72	73	75	76	81	82	83	84	88

REV.	DATE	DESCRIPTION	BY	C'K'D'
A	14-09-01	CONVERSION REVISION 03	KN	

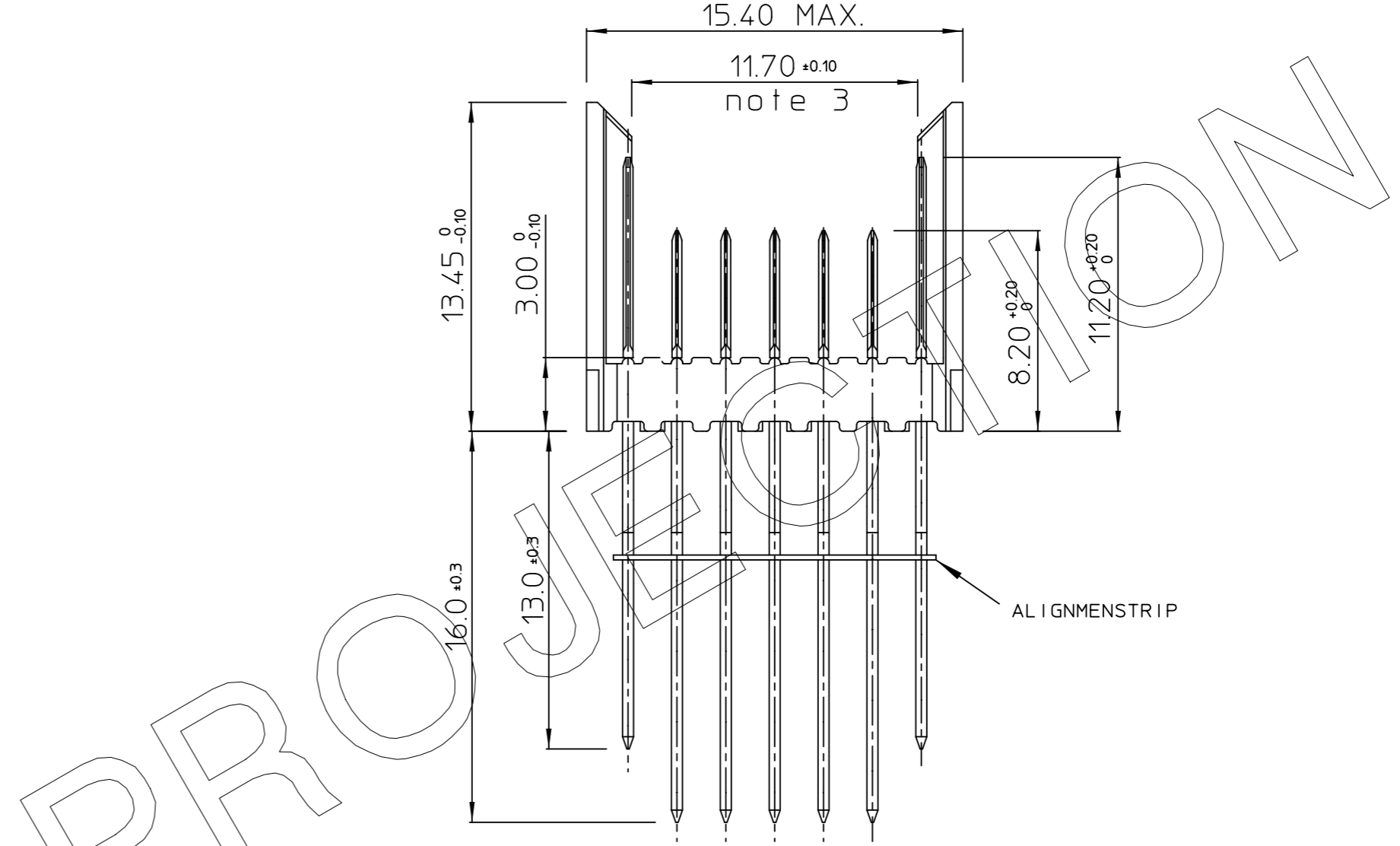


LAY-OUT  
P.C.B. - HOLE



THIS IS OUR EXCLUSIVE PROPERTY. IT IS NOT TO BE COPIED, REPRINTED OR DISCLOSED TO A THIRD PARTY, NOR USED FOR MANUFACTURING WITHOUT OUR WRITTEN CONSENT, AND HAS TO BE RETURNED TO US IN CASE OF NO USAGE

DIT IS ONZE EIGENDOM EN MAG NOCH NAGEMAAKT, HERDRUKT, OVERGEMAAKT AAN DERDEN, NOCH VOOR FABRIKATIE GEBRUIKT WORDEN, ZONDER ONZE SCHRIFTELIJKE TOELATING. BIJ NIET GEBRUIK IS TERUGZENDING VERPLICHT.



PERFORMANCE CHARACTERISTICS

- CURRENT RATING : 1.5 A AT 20°C ( FULLY LOADED )
- 1 A AT 70°C ( FULLY LOADED )
- RATED VOLTAGE : 500 V AC (CONT / CONT )
- OPERATING TEMPERATURE : -55°C TO 125°C
- CONTACT RESISTANCE : 20 mΩ MAX
- INSERTION FORCE : 0.75 N MAX / CONT
- EXTRACTION FORCE : 0.15 N MIN / CONT
- INSULATION RESISTANCE : 10<sup>4</sup> MΩ MIN

NOTES

- "--" PERFORMANCE LEVEL INDICATION: Z1= PL3 (SHORT) GC= PL3 (REAR PLUG-UP)  
(SEE CAT.NR.) N9= PL2 GF= PL2  
E9= PL1 GL= PL1
- THIS PRODUCT IS CSA APPROVED.  
THIS PRODUCT IS UL RECOGNIZED.
- MEASURED AT THE BOTTOM.

MALE SIGNAL STRAIGHT PRESS-FIT-TO-BOARD CONNECTOR  
WITHOUT SERVICECENTER

1DEC ±0,2 1DEC 2DEC ±0,1 2DEC ANGLES ±1° HOEKEN	<b>APPR.</b>	<b>DATE</b>	<b>SIGN.</b>	MILLIPACS 2 / TYPE B / SHIELDED
WE RESERVE THE RIGHT TO CHANGE DIMENSIONS OR REQUIREMENTS WITHOUT PRIOR NOTICE.	DRAFT	17-11-95	W.Panis	<b>CAT. No.</b> HM2P08PNJ1E5--
ALL DIMENSIONS IN MM	PROD. MGR.			<b>SCALE</b>
	PR. ENG. MGR.			<b>FCI</b> FCI MECHELEN N.V. A. SPINOYSTRAAAT 8, 2800 MECHELEN
	PR. MGT. MGR.			3 / 1
ALLE AFMETINGEN IN MM	<b>REFERENCES / REFERENTIES</b>			BS,C ,201632,016
				DRAWING No. CUSTOMER DRAWING
				REVISION