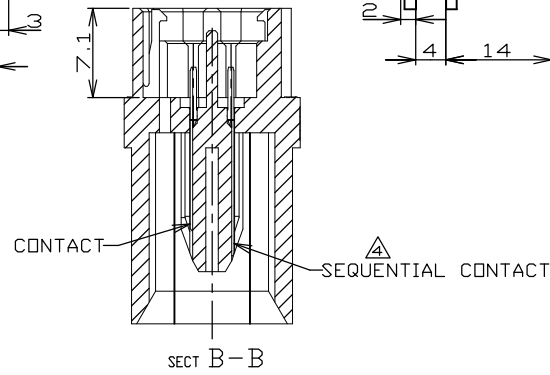
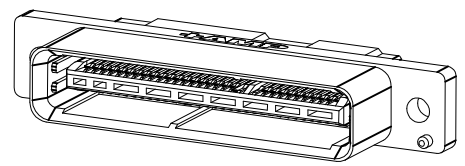
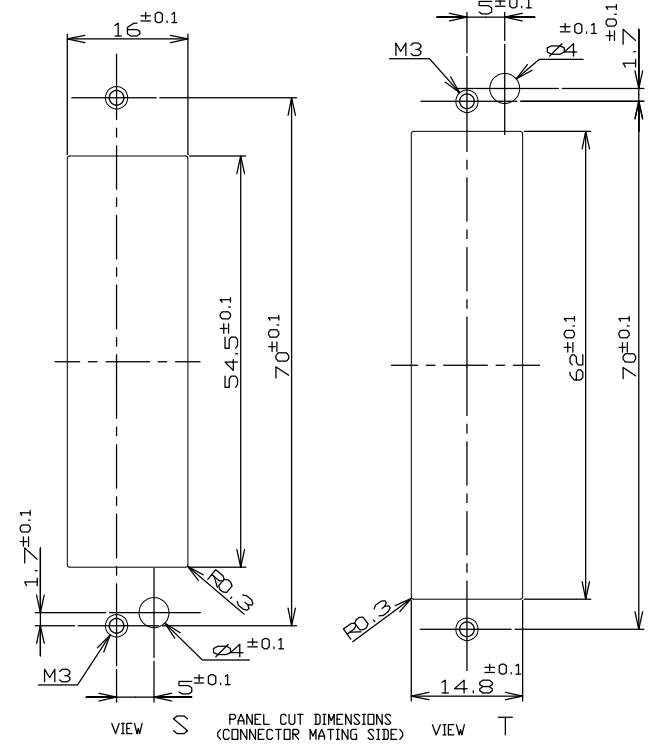
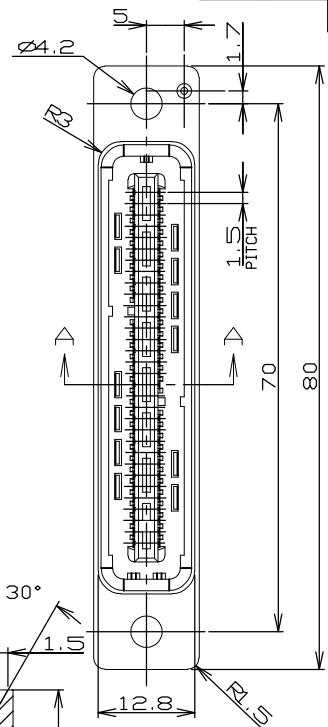
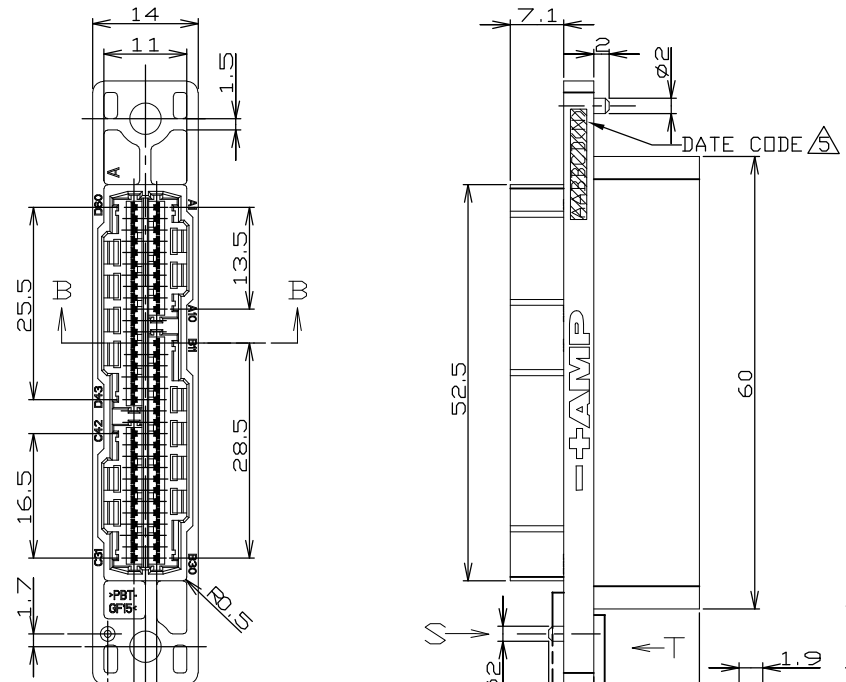


LOC
ES
DIST
00

REVISIONS					
P	LTR	DESCRIPTION	DATE	DWN	APVD
B1		REVISED ECR-07-028230	26NOV07	A.L	S.Y



- ① NOTES:
 1 USE WITHMT REC. CONN P/N: X-353293-X
 CRIMP HSG P/N: X-353908-X
 CRIMP CONT P/N: 353907-1
 353918-1(K/L/P)
- △ MATERIAL:
 HOUSING:PBT G.F. UL94V-0 COLOR:BLACK
 CONTACT:BRASS
- △ FINISH:
 CONTACT:NICKEL UNDERPLATE ALL OVER
 CONTACT AREA:GOLD PLATE.
 POST AREA:MATTE TIN PLATE.
- △ SEQUENTIAL CONTACT LOCATION: B11
- △ LOCATION OF DATE CODE (PRINTED BY HOT-BAR): AABBCD(N)
 (AA: YEAR, BB: WEEK, C: DAY OF WEEK, D: DAYTIME, N: NIGHT)

TOLERANCES UNLESS OTHERWISE SPECIFIED:

10 >	: ±0.2
30 > * >10	: ±0.25
100 > * >30	: ±0.3
ANGLE	: ±3°

THIS DRAWING IS A CONTROLLED DOCUMENT FOR AMP INCORPORATED. IT IS SUBJECT TO CHANGE AND THE CONTROLLING ENGINEERING ORGANIZATION SHOULD BE CONTACTED FOR THE LATEST REVISION.		DWN	13DEC02	Tyco Electronics Corporation Shanghai, China 200233											
DIMENSIONS: M/M		CHK	13DEC02												
<table border="1"> <tr><td>0 PLC</td><td>±0.1</td></tr> <tr><td>1 PLC</td><td>±0.01</td></tr> <tr><td>2 PLC</td><td>±0.01</td></tr> <tr><td>3 PLC</td><td>±0.001</td></tr> <tr><td>4 PLC</td><td>±0.0001</td></tr> <tr><td>ANGLES</td><td>±</td></tr> </table>		0 PLC	±0.1			1 PLC	±0.01	2 PLC	±0.01	3 PLC	±0.001	4 PLC	±0.0001	ANGLES	±
0 PLC	±0.1														
1 PLC	±0.01														
2 PLC	±0.01														
3 PLC	±0.001														
4 PLC	±0.0001														
ANGLES	±														
MATERIAL		PRODUCT SPEC	T.SASAKI	NAME PLUG ASS'Y for DC TYPE 60Pos. 1.5mm PITCH MINI CT DRAWER CONNECTOR											
FINISH		APPLICATION SPEC		SIZE	CAGE CODE										
		WEIGHT	16.7 g	A3	00779										
		CUSTOMER DRAWING		DRAWING NO	C=292233										
				SCALE	3:2										
				SHEET	1 OF 1										
				REV	B1										

6-292233-0 AS SHOWN