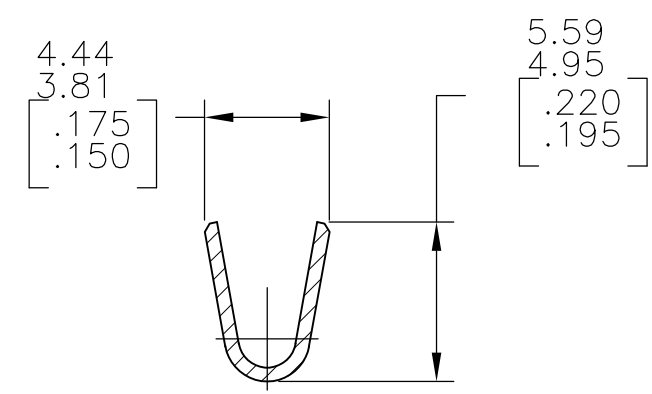
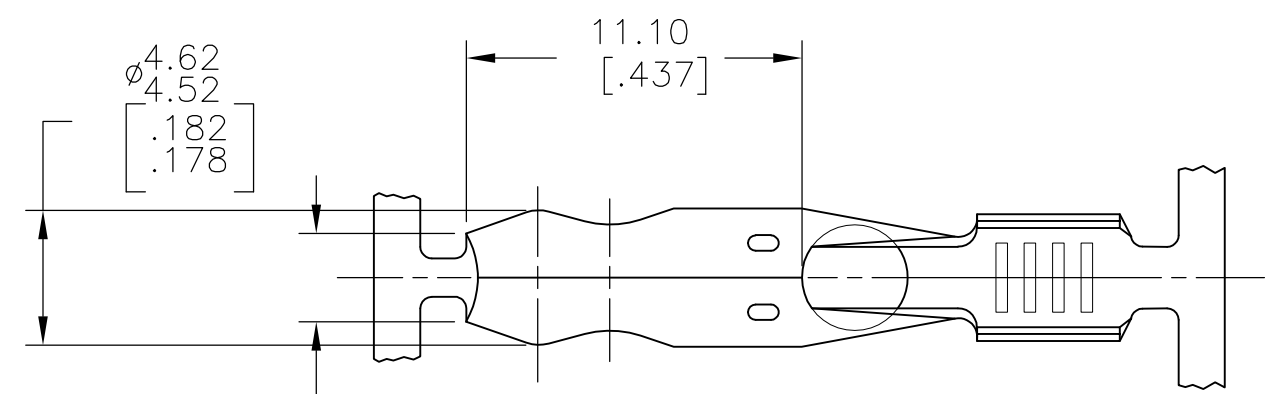


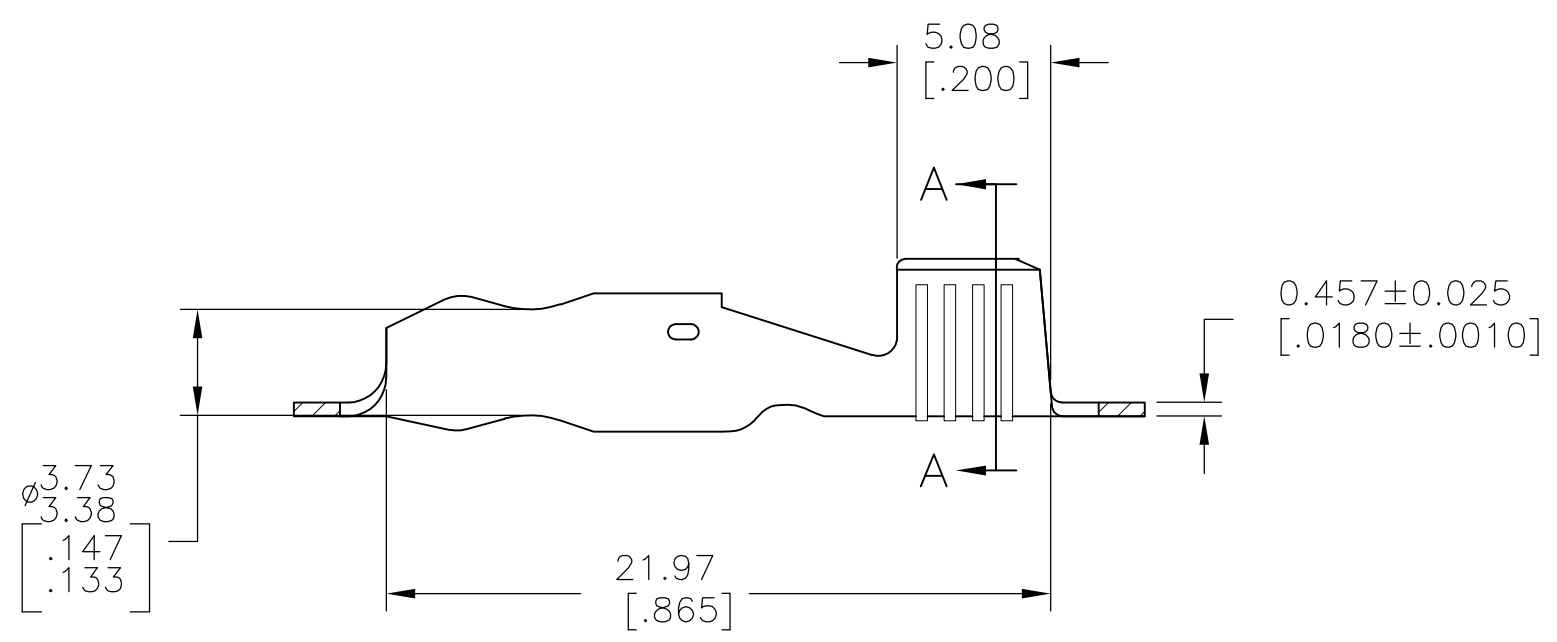
THIS DRAWING IS UNPUBLISHED. RELEASED FOR PUBLICATION  
 © COPYRIGHT - BY TYCO ELECTRONICS CORPORATION. ALL INTERNATIONAL RIGHTS RESERVED.

| LOC | DIST | REVISIONS   |                           |         |        |
|-----|------|-------------|---------------------------|---------|--------|
| P   | LTR  | DESCRIPTION | DATE                      | DWN     | APVD   |
| AF  | 50   | B1          | REDRAWN PER ECR-08-032847 | 09FEB09 | HMR JR |

1 CONTINUOUS STRIP ON REEL.



SECTION A-A



|             |             |
|-------------|-------------|
| [14-10] AWG | 63989-1     |
| WIRE RANGE  | PART NUMBER |

|  |  |  |   |                 |
|--|--|--|---|-----------------|
| THIS DRAWING IS A CONTROLLED DOCUMENT.   |  | DWN RAGHAVENDRA 09FEB09                            | Tyco Electronics Corporation<br>Harrisburg, PA 17105-3608 |                 |
| DIMENSIONS: mm [INCHES]  |  | CHK JEFF RUTH 09FEB09                              |   |                 |
| TOLERANCES UNLESS OTHERWISE SPECIFIED:   |  | APVD DON DECKER 09FEB09                            | NAME  |                 |
| 0 PLC ± -<br>1 PLC ± -<br>2 PLC ± -<br>3 PLC ± 0.25[.010]<br>4 PLC ± -<br>ANGLES ± - |  | PRODUCT SPEC                                       | SHUR PLUG, 4.57[.180] DIA                                 |                 |
| MATERIAL 081 BRASS   |  | FINISH 0.003302[.000130] MAX PRE-TIN PER ASTM-B545 | APPLICATION SPEC  | RESTRICTED TO   |
|  |  | WEIGHT -   | SIZE A3   | CAGE CODE 00779 |
|  |  | CUSTOMER DRAWING                                   | DRAWING NO C-63989  | SCALE 4:1       |
|  |  |  | SHEET 1 OF 1  | REV B1          |