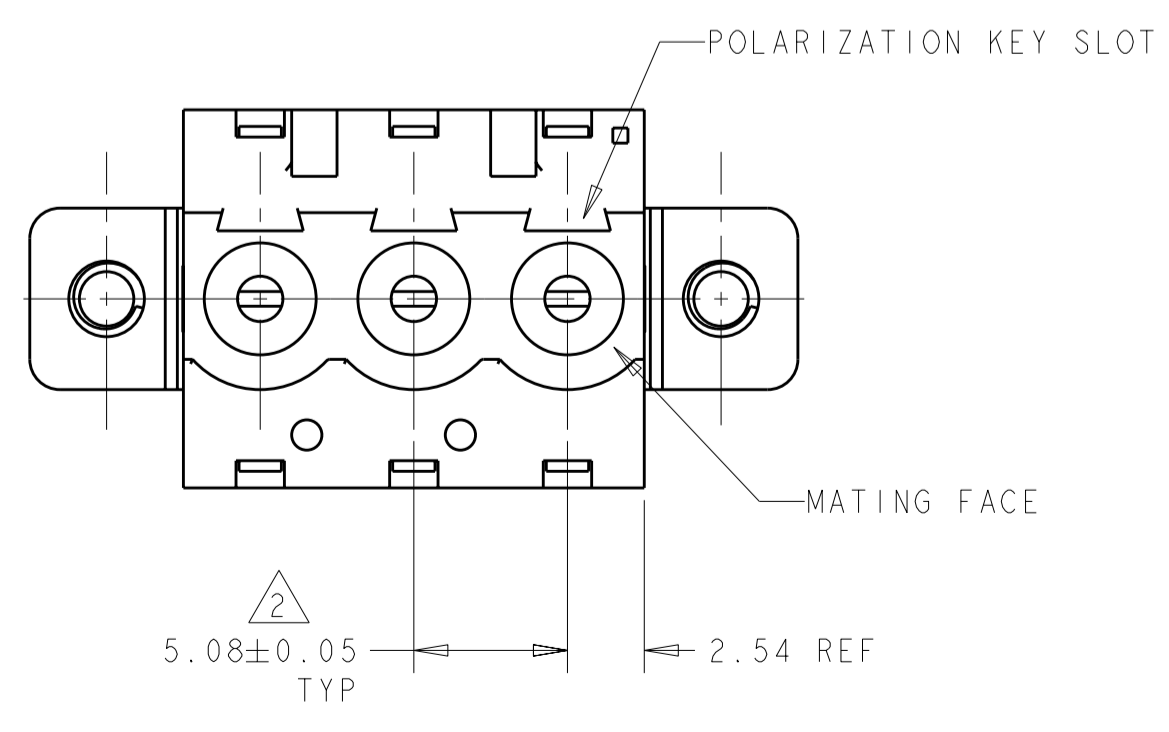
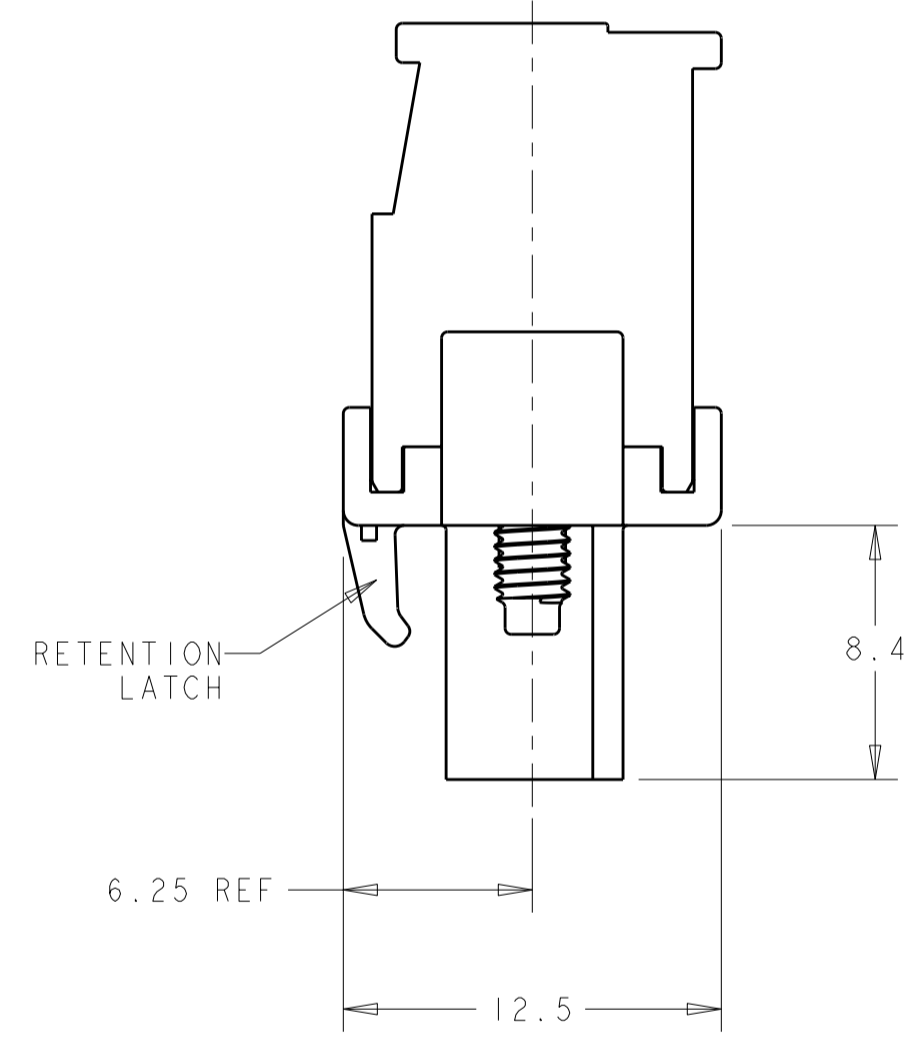
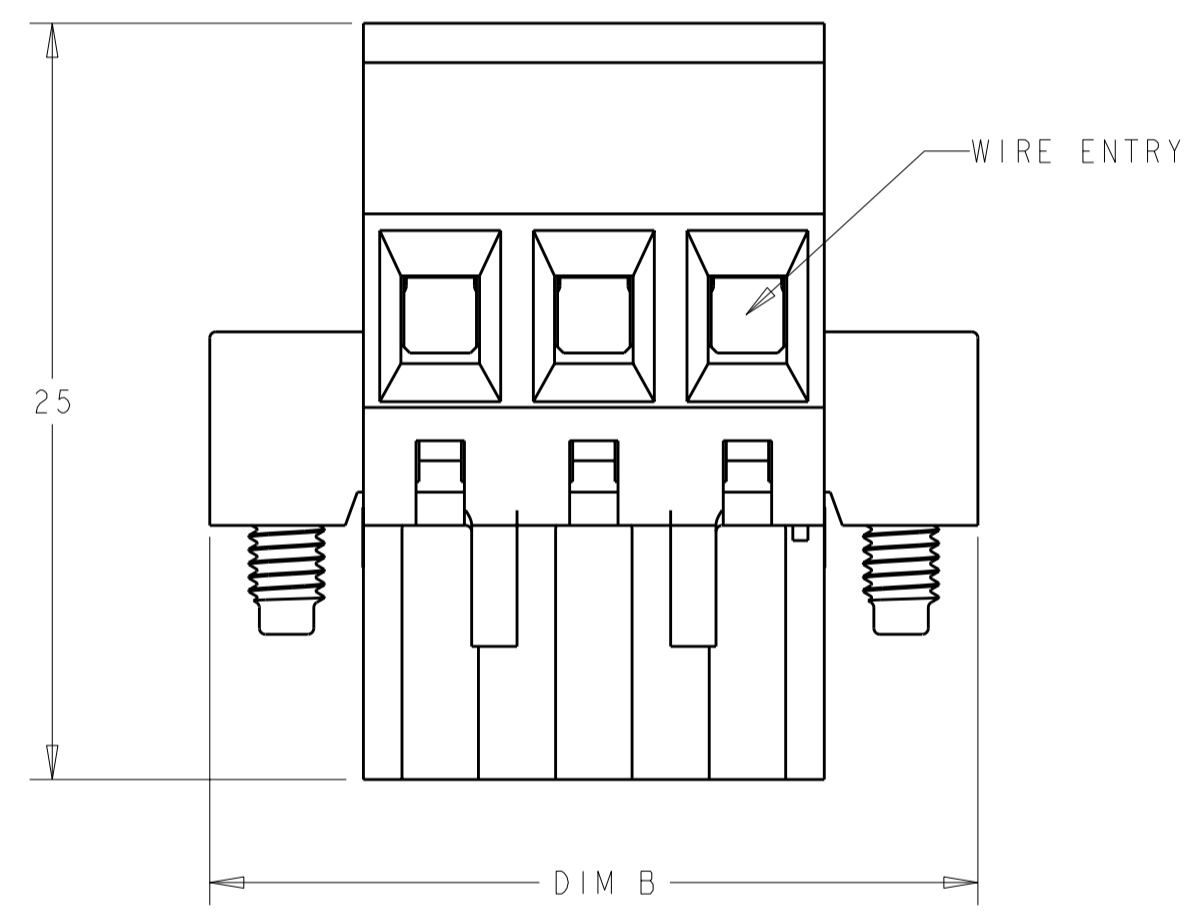
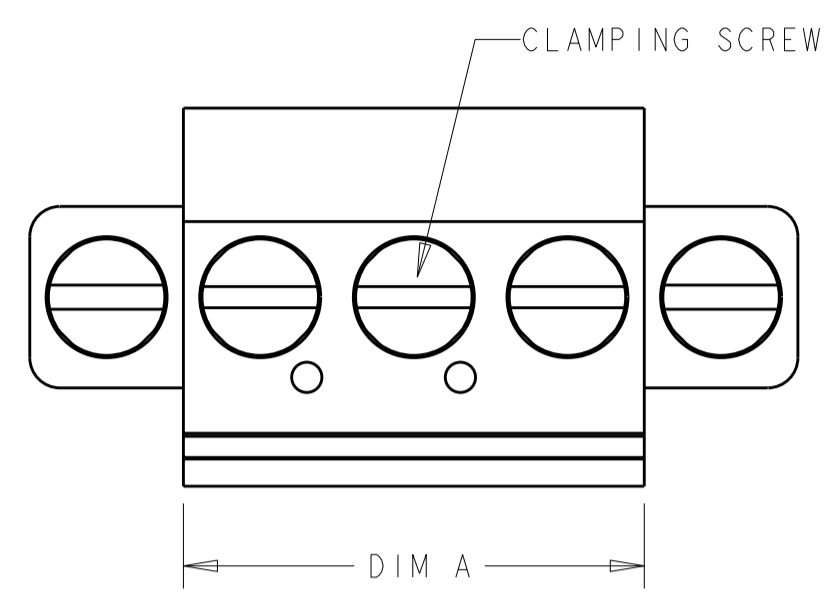


THIS DRAWING IS UNPUBLISHED. RELEASED FOR PUBLICATION 20
 © COPYRIGHT 20 BY TYCO ELECTRONICS CORPORATION. ALL RIGHTS RESERVED.

LOC	DIST	REVISIONS			
P	LTR	DESCRIPTION	DATE	DWN	APVD
FT	0				
	1	-	10DEC2008	SS	CR



- 1 MATERIALS AND FINISH:
 HOUSING: PA 6-6, UL 94-V0, COLOR: DK GRAY.
 CLAMP: BRASS, NICKEL PLATED.
 CONTACT SPRING: PHOSPHOR BRONZE, TIN PLATED.
 CLAMPING SCREW: M3, BRASS, NICKEL PLATED.
- 2 NOT CUMULATIVE TOLERANCE.
- 3. WIRE SIZE RANGE: 12 - 30 AWG

THIS PRINT IS
PRELIMINARY
 THE INFORMATION CONTAINED IN THIS DOCUMENT
 IS CONFIDENTIAL AND PROPRIETARY TO TYCO ELECTRONICS
 DO NOT REPRODUCE OR DISTRIBUTE
 DESIGN IS SUBJECT TO CHANGE WITHOUT NOTICE

25.40	15.24	3	1986487-3
B	A	POSN	PART NUMBER

THIS DRAWING IS A CONTROLLED DOCUMENT FOR TYCO ELECTRONICS CORPORATION IT IS SUBJECT TO CHANGE AND THE CONTROLLING ENGINEERING ORGANIZATION SHOULD BE CONTACTED FOR THE LATEST REVISION.		DWN S. SCHLEGEL	10DEC2008	Tyco Electronics Harrisburg, PA 17105-3608
DIMENSIONS: mm		CHK C. RICHARD	10DEC2008	
TOLERANCES UNLESS OTHERWISE SPECIFIED:		APVD C. RICHARD	10DEC2008	
0 PLC ±0 1 PLC ±.3 2 PLC ±.25 3 PLC ±0 4 PLC ±0 ANGLES ±2° FINISH		NAME C. RICHARD	NAME	
MATERIAL		PRODUCT SPEC	TERMINAL BLOCK VERTICAL PLUG RIGHT HAND, W/ LOCKING SCREW 5.08mm PITCH	
-		APPLICATION SPEC	RESTRICTED TO	
-		WEIGHT	SIZE CAGE CODE DRAWING NO	
CUSTOMER DRAWING		A2 00779 C-1986487		SCALE 3:1 SHEET OF REV