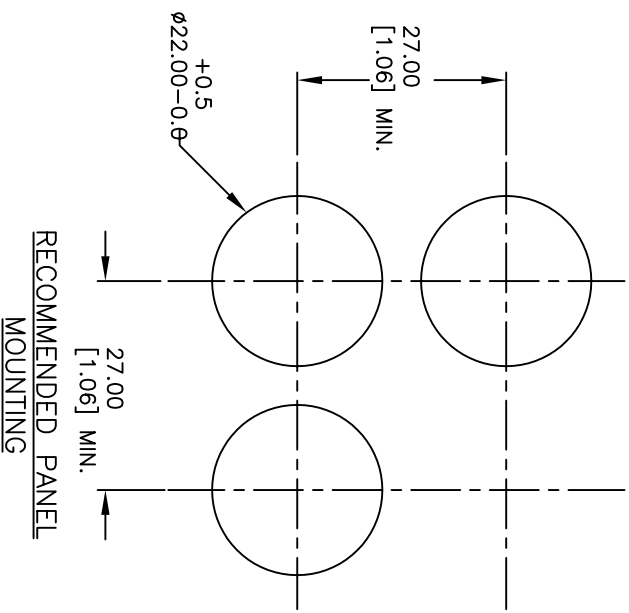


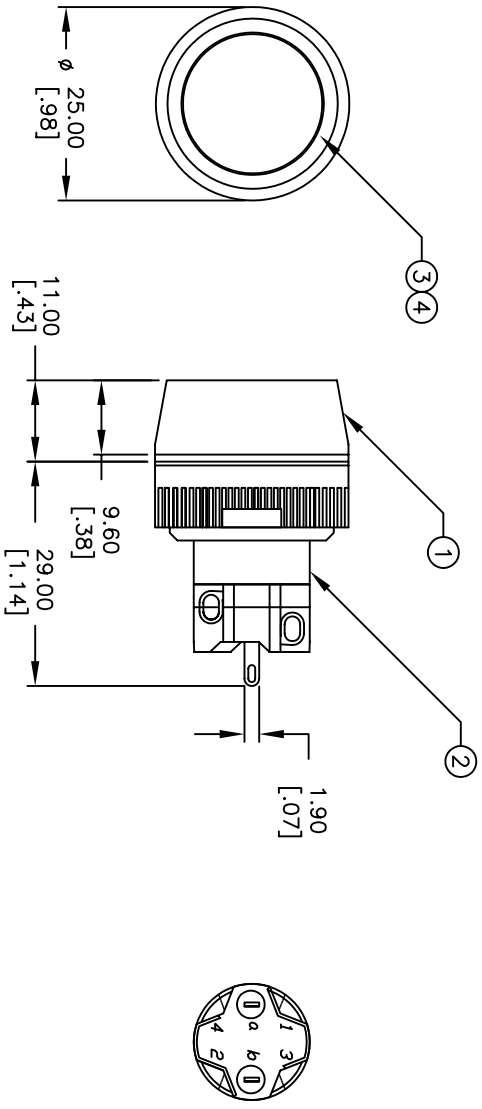
PARTS LIST		
Item	Qty.	Dwg. No. Part No.
1	1	F051702 25mm RING FOR LA SERIES
2	1	F060602 LASEV110
3	1	F061254 25mm GRN LENS (TRANSPARENT)
4	1	F050422 50-004-22 GRN L.E.D.



1 a | o 2
 3 o | o 4
 a - (L) - b (+)

SPST CONTACT CONFIGURATION

- NOTES:
1. ALL DIMENSIONS IN MM
 2. GENERAL TOLERANCE: X.X=±0.4
X.XX=±0.25
 3. RATINGS: 5A@250V AC,
8A@125V AC
 4. CONTACT MATERIAL: COPPER ALLOY W/Gold Plating
 5. TRAVEL: 3.0mm (Total) 2.0mm (Latch)
 6. MECHANICAL LIFE: >100,000 Cycles
 7. ELECTRICAL LIFE: >50,000 Cycles
 8. INSULATION RESISTANCE: >1000 MILLI-OHMS
 9. OPERATING TEMP: -20°C to 55°C
 10. LAMP VOLTAGE: 12VDC (L.E.D.)



REV.	ECN No.	DESCRIPTION	DATE	CHKD
A	15191	RELEASED FOR PRODUCTION	8/22/05	PH

TITLE				
LAS EE V1 1J GRN GRN (TRANSPARENT LENS)				
SCALE	DATE	DR	DWG	REV
1:1	8/22/2005	PH	XF0641P	A

THE INFORMATION CONTAINED IN THIS DOCUMENT IS PROPRIETARY TO E-SWITCH AND IS NOT TO BE COPIED OR TRANSFERRED